

T255NCEU

Parts Catalog

목 차

0. 트랙터 KIT PART NO. TK1

FIG 001 K1 AUTO THROTTLE KIT	7
FIG 001 VALVE KIT, AUX	9
FIG 001 AUX VALVE KIT	11

1. 엔진 PART NO. EG

FIG 100 ENGINE	14
FIG 101 CYLINDER BLOCK	16
FIG 102 GEAR HOUSING	18
FIG 103 OIL SUMP	20
FIG 104 CYLINDER HEAD & BONNET	22
FIG 105 EXHAUST MANIFOLD	25
FIG 106 CAMSHAFT & DRIVING GEAR	27
FIG 107 CRANKSHAFT & PISTON	29
FIG 108 LUB.OIL SYSTEM	31
FIG 109 COOLING WATER SYSTEM	33
FIG 110 FUEL INJECTION PUMP	35
FIG 111 GOVERNOR	37
FIG 112 FUEL INJECTION VALVE	39
FIG 113 FUEL FILTER	41
FIG 114 STARTING MOTOR	43
FIG 115 GENERATOR	45

2. 엔진보기품 PART NO. T2

FIG 201 AIR CLEANER	48
FIG 202 RADIATOR	50
FIG 203 MUFFLER	52
FIG 204 FUEL TANK & FUEL LINE	54
FIG 205 ACCELERATOR	56
FIG 206 FUEL FILTER	58

FIG 207 ENGINE MOUNTING	60
-------------------------	----

3. 클러치/브레이크/스티어링 PART NO. T3

FIG 301 FLYWHEEL COVER	63
FIG 302 BRAKE	65
FIG 303 CLUTCH , BRAKE PEDAL & LINKAGE	67
FIG 304 ACCELERATOR PEDAL & CABLE	69
FIG 305 DASH COVER	71
FIG 306 STEERING VALVE	73
FIG 307 STEERING CYLINDER	75
FIG 308 STEERING WHEEL	77
FIG 309 TIRE	79
FIG 310 HAND BRAKE	81

4. 트랜스미션 PART NO. T4

FIG 401 INPUT SHAFT	84
FIG 402 INPUT GEAR	86
FIG 403 MAIN SHIFT GEAR	88
FIG 404 RANGE GEAR	90
FIG 405 4WD DRIVE GEAR	92
FIG 406 P.T.O DRIVE SHAFT	94
FIG 407 P.T.O SHAFT	96
FIG 408 MID P.T.O GEAR	98
FIG 409 DIFF LOCK	100
FIG 410 MID TRANSMISSION CASE	102
FIG 411 REAR TRANSMISSION CASE	104
FIG 412 REAR AXLE HOUSINGS	106
FIG 413 MAIN SHIFT LEVER	108
FIG 414 RANGE SHIFT LEVER	110
FIG 415 P.T.O CHANGE LEVER	112
FIG 416 4WD CHANGE LEVER	114
FIG 417 TRANSMISSION MOUNTING	116

5. 프론트 액슬 PART NO. T5

FIG 501 FRONT DRIVE SHAFT	119
---------------------------	-----

FIG 502 FRONT DIFFERENTIAL GEAR	121
FIG 503 FRONT AXLE HOUSING	123
FIG 504 FRONT GEAR CASE (1)	125
FIG 505 FRONT GEAR CASE (2)	127

6. 유압/3점 링크 PART NO. T6

FIG 601 CYLINDER CASE	130
FIG 602 LIFT ARM	132
FIG 603 FLOW CONTROL VALVE	134
FIG 604 MAIN CONTROL VALVE	136
FIG 605 HYDRAULIC SUB	138
FIG 606 HITCH & 3-POINT LINKAGE	140
FIG 607 HITCH & COVER	142
FIG 608 AUXILIARY VALVE	144

7. 시트메탈/캐빈 PART NO. T7

FIG 701 BONNET (1)	147
FIG 701-2 BONNET (2)	149
FIG 702 FLOOR	151
FIG 703 SEAT	153
FIG 704 ROPS	155
FIG 705 LEVER COVER & FENDER	157
FIG 706 LAMP	159

8. 전장 PART NO. T8

FIG 801 BATTERY MOUNTING	162
FIG 802 INSTRUMENT PANEL	164
FIG 803 HARNESS (1)	166
FIG 804 HARNESS (2)	168
FIG 805 HARNESS (3)	170

9. 라벨/옵션 PART NO. T9

FIG 901 TOOL & ACCESSORY	173
FIG 902 WEIGHT	175

PARTS SUGGESTED LIST

PART NUMBER DESCRIPTION QTY for EACH TRACTOR

11930535151-	FILTER ASSY, D68XL65	1
11981055650-	ELEMENT	1
12933555780-	ELEMENT ASSY	1
11201032020	ELEMENT	1
11105152100	STRAINER , SUCTION	1
20113230040	SEAL , OIL/406212	2
16322732000	SEAL ASSY , OIL	1
V4011600160	WASHER , SPRING	11
V2193606020	BOLT , HEX/SPL	6
16995152360	COUPLING , 1/2	2
11104130151	SEAL , OIL	2
15186313000	MIRROR ASSY	2
V4011600140	WASHER , SPRING	36
V2123606012	BOLT , HEX /SP	2
V2173608025	BOLT , HEX/S	28
11105208500	CHAIN SUB , CHECK	2
V7041400250	C-RING , SHAFT	2
V2173608020	BOLT , HEX/S	22
14537072501	hazard SWITCH	1
17686641110	RELAY , PREHEAT	2
V2183608020	BOLT , HEX/SP	53
16731112130	FILTER	1
V7441254708	SEAL , OIL/D	1
V4011600120	WASHER , SPRING	10
V4111600160	WASHER , PLAIN	7
V2123606016	BOLT , HEX /SP	16
V2183608025	BOLT , HEX/SP	7
V4011600100	WASHER , SPRING	12
17995080201	UNION , 1/2	2
V2173612030	BOLT , HEX/S	22
V3043600100	NUT , HEX/2	8
19029010070	LABEL , SEAL	4
V7051400620	C-RING , HOLE	7
11104130170	O-RING , S200	2
13153285001	SWITCH ASSY , BRAKE	1
V3501600060	NUT, PUSH-ON SPRING	27
17686040020	RIVET SET , black	14
V4111600220	WASHER , PLAIN	4
V3802600060	NUT , HEX FLANGE	12
V7041400200	C-RING , SHAFT	14
21575070110	BOLT , GRIP(M6)	2
V4111600100	WASHER , PLAIN	18
14446010150	WASHER , NET	27
V7201024010	O-RING , P	2
V3043600160	NUT , HEX/2	6
V4111600120	WASHER , PLAIN	12
V7041400400	C-RING , SHAFT	3
V7231020085	O-RING , S	2
V5502040093	RIVET , BLIND	4
11104130181	SEAL , SHAFT	2

PART NUMBER DESCRIPTION QTY for EACH TRACTOR

8420000230	NUT/M8 , NYLON	3
14522092162	KEY , SYNCHRO	3
11201032000	AIR CLEANER ASSY	1
V4111600080	WASHER , PLAIN	20
V7051400420	C-RING , HOLE	2
V6001106207	BEARING , BALL	1
V3002600060	NUT , HEX/1	4
13059310030	PIN	2
11616212900	RELAY 5P	1
V4011600060	WASHER , SPRING	8
18711201100	LABEL , ULTRA LOW SULFUR	1
V4111600140	WASHER , PLAIN	2
11105200011	PIN , LOWER LINK	1
11111042000	RADIATOR COMP	1
V3043600120	NUT , HEX/2	16
V3013600060	NUT .HEX NORMAL /2	2
14443140080	SEAL , 62	1
11103062000	GAUGE ASSY , OIL LEVEL	1
V6001106006	BEARING , BALL	3
V4011600080	WASHER , SPRING	9
19026642010	GROMMET , 12X17X3.2	4
79636130050	PIN , 16X60	2
V2173608016	BOLT , HEX/S	5
V3043600140	NUT , HEX/2	2
V7441204707	SEAL , OIL/D	1
V7441204208	SEAL , OIL/D	2
V6001106007	BEARING , BALL	2
12009100190	LABEL , WARNING BELT	1
V2173608035	BOLT , HEX/S	4
V7441354808	SEAL , OIL/D	2
V4111600060	WASHER , PLAIN	11
11103160020	TUBE	4
15965120021	LINING , 11X30X03	2
14211340190	COUPLING	2
14321200040	SPRING , TENSION 31	2
V5201010022	PIN , PARALLEL/A	2
12009100240	LABEL , CAUTION MUFFLER	1
11104055000	JOINT ASSY , BALL	2
35605033020	WASHER , WIRE WITHDRAWAL	2
11105200050	SPACER	2
12009100130	LABEL , DANGER PTO	1
12009100020	LABEL , WARNING PARKING	1
12009100030	LABEL , WARNING EXHAUST	1
V7041400300	C-RING , SHAFT	11
12009100120	LABEL , CAUTION FAN	1
V6802000010	BALL , STEEL	5
V7201024016	O-RING , P	5
12009100140	LABEL , WARNING DRAW	1
V6001106304	BEARING , BALL	7
12009100230	LABEL , CAUTION OPERATION	1

PART NUMBER DESCRIPTION QTY for EACH TRACTOR

V2193606016	BOLT , HEX/SPL	10
12009100060	LABEL , WARNING DIFF	1
18027090320	BAND CLAMP 32 EMBO TYPE	2
17689100170	LABEL , CAUTION SAFETY	1
13151120061	BOLT , BATTERY SET	2
12009100050	LABEL , WARNING FIRE	1
V2173610025	BOLT , HEX/S	17
V6001106206	BEARING , BALL	4
12009100210	LABEL , WARNING THROTTLE	1
18715110110	CAP ASSY , OIL	1
17681170050	GRIP , REVERSE	1
16003302101	TANK ASSY , RESERVE	1
V2013614030	BOLT , HEX	12
13377210020	WASHER , 11X24X3	4
V6321133005	BEARING , TAPER-ROLLER	2
V6001106204	BEARING , BALL	2
14522092170	SPRING , SYNCHRO	2
13603102000	CAP ASSY , TANK	1
V3043600080	NUT , HEX/2	7
V7041400350	C-RING , SHAFT	3
V5001920015	PIN , SPLIT	9
16995304000	UNION , O-RING	1
V7051400470	C-RING , HOLE	5
13022250030	SPRING , SHIFTER	5
V6001106306	BEARING , BALL	4
79642010080	SHIM , B	2
V3042600080	NUT , HEX/2	7
13276642201	SWITCH , COMBI	1
V3013600160	NUT , HEX/2	2
19027210060	NUT , NYLON , M6	12
12209045051	LABEL , ROPS WARNING/REMODELIN	1
11106073030	KNOB , 4WD	2
15606040227	SPRING	8
14215020020	PIN , LINK	7
V7201119010	O-RING , P	1
V6001106305	BEARING , BALL	1
V2183608060	BOLT , HEX/SP	1
15645220011	PIN , 19X86	1
V3802600080	NUT , HEX FLANGE	8
13267028202	SOCKET ASSY , TRAILER	1
12009100160	LABEL , DANGER RIDING	1
13154112120	COLLAR	1
17995070270	BUSH , 16X18X33	1
11106073020	KNOB , POSITION	1
V5001920020	PIN , SPLIT	4
15601160083	PIN , 06X16	2
V2183608016	BOLT , HEX/SP	10
11111052004DD	MUFFLER COMP	1
V2173608070	BOLT , HEX/S	2
12009100150	LABEL , WARNING RADIATOR	1

PART NUMBER DESCRIPTION QTY for EACH TRACTOR

V5001925020	PIN D2.5x20	10
15645220020	PIN , 19X95	1
12009100040	LABEL , WARNING STOP VALVE	1
V5801406032	PIN , SPRING	7
13152401021	GASKET(MID PTO)	1
V3013600100	NUT .HEX NORMAL /2	2
V7201057070	O-RING , P	1
18027090800	BAND CLAMP 80 EMBO TYPE	1
11106073040	KNOB , PTO	1
V2183608012	BOLT , HEX/SP	1
12147078721	KEY SET	1
V6001106205	BEARING , BALL	4
V5201010020	PIN , PARALLEL/A	2
11105201010GB	SHIELD, PTO	1
14322420010	PIN	4
12609040620	LABEL , STARTING WARNING	2
V7051400720	C-RING , HOLE	1
V5801405036	PIN , SPRING	1
V2113606012	BOLT , HEX /S	1
15601320073	NUT , HEX LH	4
V3042600100	NUT , HEX/2	11
V7051400250	C-RING , HOLE	1
V2123806020	BOLT , HEX /SP	13
13155202511	TURNBUCKLE	2
14046210300	GROMMET	1
14729040130	LABEL , CAUTION PARKING	1
V7201035030	O-RING , P	2
V7081400120	E-RING	2
V5001950050	PIN , SPLIT	1
15601041000	CONNECTOR	1
V2173610035	BOLT , HEX/S	4
V7201024020	O-RING , P	2
V2183610035	BOLT , HEX/SP	1
V6001106005	BEARING , BALL	1
13155150021	HOSE , SUCTION	1
V7081400060	E-RING	1
11109100012	LABEL , PTO	1
V4111600200	WASHER , PLAIN	9
14445140051	PIN , 19	3
11109100032	LABEL , RANGE	1
V1112606040	SCREW , C/R PAN	1
12009100070	LABEL , WARNING BRAKE	1
V2323606016	BOLT , C/R HEX/SP	2
V7081400100	E-RING	1
V2113606030	BOLT , HEX /S	4
11106032211	COVER , DASH LOW	1
V6041106205	BEARING , BALL/HL1	2
V6001306004	BEARING , BALL	1
12209045010	LABEL , ROPS DANGER	1
11109100041	LABEL , POSITION	1

PART NUMBER DESCRIPTION QTY for EACH TRACTOR

17689200050	LABEL , DIFF	1
V6001106009	BEARING , BALL	2
14602130030	WASHER , 20X34X3	1
13154112131	NUT , M25	1
V7201024012	O-RING , P	5
11129040960	LABEL . KEY	1
12209045020	LABEL , ROPS WARNING	1
V2013610030	BOLT , HEX	2
V2183610025	BOLT , HEX/SP	10
14522092012	HUB , SYNCHRO MAIN	1
11107027500	FIXED PIN ASSY	2
V5001925015	PIN , SPLIT	2
V6001106004	BEARING , BALL	3
V7051400750	RING , C TYPE	1
11105208600	LIFT ROD SUB , RH	1
13154112141	SPACER(45X47X3)	2
11209100250	LABEL , CAUTION HOT	1
V7231020055	O-RING , S	1
16702230371	PLATE	5
35602010150	WASHER , BIND SHAFT	2
14522092020	SYNCHRO RING , SINGLE RING	2
V4011600050	WASHER , SPRING	11
13154112170	SHIM , B	1
11105030150	PLATE , STOPPER	1
V2403610040	BOLT , HEX FLANGE	10
11104102001GB	SHAFT ASSY , 4WD	1
V5801405025	PIN , SPRING	1
11106082111DG	COVER , LH/LEVER	1
V6041106305	BEARING , BALL/HL1	1
V7041400160	C-RING , SHAFT	1
13606642401	FLASHER ASSY	1
21306010180	PIN , SNAP/6	1
11105200020	PIN , 19	2
14522092141	COUPLING , SYCRO/S	1
V4111600050	WASHER , PLAIN	5
36108010080	SPRING , ENTRANCE FOR SEED(HCO	12
11105206000	TOP LINK ASSY	1
13153280050	PAD	1
11509200010	LABEL , NOTE/SPEED	1
11104120020	STAY , CYLINDER	2
16705050060	RING	1
36104400180	WASHER	1
11104130040	GEAR , BEVEL 14T	2
V7441253506	SEAL , OIL/D	2
V2013614035	BOLT , HEX	2
37371720090	CLAMP , W/HARNESS	4
11102320030	BUSH , 20X23X20	6
14527060010	WASHER , JERBSI SPRING/10	2
V5201010018	PIN , PARALLEL/A	12
11104130110	WASHER , 31X42X2	2

PART NUMBER DESCRIPTION QTY for EACH TRACTOR

V2403610060	BOLT , HEX FLANGE	4
V2403610075	BOLT , HEX FLANGE	4
11106563002	LAMP ASSY , STOP	2
V3232600100	NUT , HEX SLOT & CASTLE	1
14326510210	CAP , RUBBER 20	1
11644012302	CAP(TYM) , STEERING WHEEL	1
V6001106203	BEARING , BALL	5
11116502001	CABLE ASSY . BATTERY	1
V2173610020	BOLT , HEX/S	7
V6041106304	BEARING , BALL/HL1	1
11106032112	COVER , DASH UPR	1
V5201008016	PIN , PARALLEL/A	2
15156210300	CUSHION RUBBER A , RADIATOR	2
11101042350	SPONGE , 410	2
V3343600160	NUT , HEX FINE/2	2
V6001106010	BEARING , BALL	2
34523600070	ADAPTER , PF/45^	1
16703180191	PLATE , STOP	1
11501212200	COVER ASSY , CLUTCH	1
15602231610	BOLT , SET M8X16	1
V4111600240	WASHER , PLAIN	1
V2183610020	BOLT , HEX/SP	19
V7811600004	PLUG , SQUARE	2
16703180511	SHIM , O/0.5	1
18027090200	BAND CLAMP 20 EMBO TYPE	1
11101112101	TANK COMP , FUEL	1
11105208400	LIFT ROD SUB , LH	1
V7051400400	C-RING , HOLE	1
14326210110	CAP , M16	14
16601220020	TURNBUCKLE , M8 L60	3
V1922604016	SCREW , TAPPING	4
V2053606050	BOLT , HEX C/R	4
11104130060	GEAR , BEVEL 9T	2
18027090400	BAND CLAMP 40 EMBO TYPE	4
11101112300	GAUGE ASSY , FUEL	1
16703180181	SHIM , O/0.1	1
11111040110	HOSE , OUTLET RADIATOR	1
37371720110	CLAMP , FLASHER W/HARNESS	1
V7821600002	PLUG , HEX TAPER	2
36313530021	ADAPTER , HIGH-PRESSURE	3
21443370020	PIN , 08X25	6
13424020060	CABLE TIE , 300	30
14445070030	GRIP , LEVER	1
11104130080	GEAR , BEVEL 40T	2
36501510110	RUBBER , E/G MOUNT	4
11104200010	COVER , 4WD	1
V1112605030	SCREW , C/R PAN	7
16995152420	CAP , DUST	2
V2004616040	BOLT , HEX	4
16703180171	SHIM , O/0.2	1

PART NUMBER DESCRIPTION QTY for EACH TRACTOR

14722710040	COLLAR , 17X24X6	1
11103240010M	SHAFT , WHEEL	2
11104130121	SHAFT , FRONT WHEEL	2
V5801408036	PIN , SPRING	1
11104130020	GEAR , BEVEL 9T	2
16994080072	UNION , SHORT	3
13155010030	BUSH , 35X42X40	1
11104412200MS	WHEEL RIM(4BX12)	2
11104120030	BUSH , 24X27X25	2
V7811600008	PLUG , SQUARE	1
V5201006012	PIN , PARALLEL/A	1
V6001606305	BEARING , BALL	1
15606950150	CABLE TIE , 370	3
11111162100	CABLE ASSY , THROTTLE	1
11106645000	SWITCH ASSY , POSITION	1
V2173610030	BOLT , HEX/S	22
11101042310GB	NET COMP , RADIATOR	1
11501212100	DISK ASSY , CLUTCH 200	1
V3342600100	NUT , HEX FINE/2	1
V5211008016	PIN , PARALLEL/B	3
V7041400170	C-RING , SHAFT	1
V7201019012	O-RING , P	1
V2034614030	BOLT , HEX FINE	19
11104101000	SUPPORT ASSY , 4WD	1
13764020030	CABLE TIE , 140	8
11501210050	BEARING , RELEASE SF0816	1
11105020030M	ARM , LIFT	2
11101122210GB	PLATE , BATTERY SET	1
11102400020	PLUG , M16	4
V5801406025	PIN , SPRING	2
11101042390	SPONGE , 314	2
11103200010M	HOUSING , REAR AXLE LH	1
V6802000019	BALL , STEEL	8
14256210040	CLAMP , 9	5
37481850030	BAND CLAMP 18	1
13154112160	SHIM , A	1
18027090160	BAND CLAMP 16 EMBO TYPE	12
V5001930025	PIN , SPLIT	1
11103284000	ROD ASSY , BRAKE	2
11506082121DG	COVER , RH/LEVER	1
13153272100	PLATE COMP , DISC	4
11104112220	GEAR , DIFF 15T	2
19022160031	COLLAR , 35X50X4	1
17973030420	SPRING	1
13155010040	BUSH , 40X46X40	1
V2193606025	BOLT , HEX/SPL	4
11106401400GB	PANEL , CTR/FLOOR	1
11104112210	GEAR , SPIRAL BEVEL 25T	1
V6001106302	BEARING , BALL	1
11101032400	SPONGE , AIRCLEANER	3

PART NUMBER DESCRIPTION QTY for EACH TRACTOR

11104112110	PINION , SPIRAL BEVEL 8T	1
80105030320	ELBOW (PF3/8, PF3/8)	1
11501330010	SPRING , RETURN	1
18716642500	SWITCH SET , PUSH	1
11105104100	HOSE ASSY , CYLINDER/900	1
11502522120	COLLAR , 35X46X3	2
16703272030	SPRING , RETURN	6
12136213210	KEY , BONNET OPEN	1
14443140091	CAP , PTO SHAFT	1
17995010150	HOSE . 500	1
16705251100	HOOK , TOPLINK	1
V2053606045	BOLT , HEX C/R	3
11104112230	PINION , DIFF 11T	2
V2004614095	BOLT , HEX	2
11201010050GB	COVER , STARTER	1
35652030040	COLLAR , PACKER SHAFT	1
11104072120	NYLON NUT , M24XP2.0	1
V7201019007	O-RING , P	2
13266212003	HORN	1
V7611500000	NIPPLE , GREASE/A-PT	1
11201050080	INSULATOR , RADIATOR	1
11116222000	EMBLEM ASSY , K1	1
11105103200	HOSE ASSY , DRAIN/1000	1
11111162411	PIN , ACELERATOR	1
11104130130M	COVER , WHEEL SHAFT	2
15642160041	WASHER , 30X46X3	1
11111040091	HOSE_RAD_CONNECTOR	1
11502522130	BEARING , ONEWAY HF3520B	2
13606562000	LAMP , POSITION	2
16322730030	SHIM , 0.5	1
11102542202	LEVER COMP , PTO	1
13606571000	REAR REFLECTOR	2
11105200040GB	PLATE , LOWER LINK	2
15603142910	BUSH , 16X18X15	4
14726010031	SPRING , HOOD CUSHION	2
11104072111	PIN	1
18027090700	BAND CLAMP 70 EMBO TYPE	1
11115103100	HOSE ASSY , PUMP/740	1
13153270030	PLATE , SEPARATE	2
36527040020	CLAMP , 20X180	1
11106684300	HARNESS ASSY , EARTH	1
11103180190	SHIM , 75	1
11106020010	SPRING , TENSION 40	2
11104051001	SCU	1
13267060022	PLUG , DRAIN	1
11102632000	FORK SET , 4WD	1
V3012600050	NUT , HEX/2	5
14521302150	BUSH , BAR COMP	2
11502320030	GEAR , MAIN 38T	1
11105030160	SEAL , DUST 15	1

PART NUMBER DESCRIPTION QTY for EACH TRACTOR

13016400010	SEAL , BATTERY BRACKET	2
14536680010	MOUNT , TIE	2
13152710020	SHAFT, MID PTO COUNTER	1
14445100080	BAND CLAMP 40	2
V2183610030	BOLT , HEX/SP	4
13152710010	MID PTO SHAFT	1
11111040011	HOSE , INLET RADIATOR	1
14501410050	BAND CLAMP 16	4
11105405100	VALVE ASSY , AUX	1
11105405400	ELBOW , T	1
V2174612040	BOLT , HEX/S	8
13152700011M	MID PTO CASE	1
36753302201GB	HOLDER COMP , TANK/RESERVE	1
11103200020M	HOUSING , REAR AXLE RH	1
V3052600100	NUT , HEX/3	2
11102540021	STAY , PTO	1
11105030051M	PISTON , HYD	1
V5801406050	PIN , SPRING	1
11115150010	HOSE , SUCTION	1
11106252120	RUBBER , MOUNTING	4
11103190020	CLUTCH , DIFF LOCK	1
35822210090	SPRING , HE070	2
11116213600	HEAD LAMP ASSY , RH	1
11105202200GB	LOWER LINK COMP	2
11104112270	SHAFT , DIFF PINION	1
13153181030	SHIM , 0.2	4
16703270011	CAM	2
11105030140	BALL , STEEL	1
16994080061	UNION , PT3/8 M18	1
11106017700	STAND COMP , BONNET	1
11206313020	WASHER , URETHANE(10X25X1)	4
14441010161	CLAMP , RADIATOR HOSE	1
11105405300	HOSE ASSY , HYD 1150	1
11111050050	SHROUD	1
12120028430	SWITCH , BATTERY	1
11106017600	GUIDE COMP , STAND	1
11116213200GB	GRILLE COMP, LH/RR	1
11116213300GB	GRILLE COMP, RH/RR	1
11104130010	SHAFT , LH	1
11502610010	SHAFT , 4WD	1
11105030110	VALVE , SLOW RETURN	1
12626010200	INSULATOR , SIDE COVER/LOWER	1
16586652000	HORN COMP	1
11105405500GB	BRACKET COMP , AUX	1
11105405200	HOSE ASSY , HYD 1650	1
13153270021M	METAL ,BRAKE LH	1
11106012810GB	PLATE , LH/HINGE	1
13607010012GB	NUMBER PLATE	1
V3402600100	NUT , HEX CAP	4
11115183100	VALVE , DIVIDER	1

PART NUMBER DESCRIPTION QTY for EACH TRACTOR

15601040104	CONNECTOR	1
11106012910GB	PLATE , RH/HINGE	1
11116213700GB	BRACKET COMP , GRILL	1
11101032300	BRACKET , AIRCLEANER	1
14216210380	CABLE TIE , 200	4
14887024000	LAMP ASSY , NUMBER PLATE	1
11501210040M	SLEEVE	1
11102511010	IDLE , PTO 33T	1
11103270040	C-RING , HOLE 140	2
13153270041M	METAL ,BRAKE RH	1
11203230020	SHAFT , PINION RH/9T	1
11105030120	GUIDE , SPRING	1
11102430030GB	LEVER , RANGE	1
11102630010GB	LINK , 4WD	1
15605070070	KNOB , SLOW RETURN	1
11104130090	SHAFT , RH	1
13153181010M	METAL , DIFF CASE	1
V6001106906	BEARING , BALL	1
13153180080	WASHER, THRUST 34X46X1	2
11102540031	LINK , PTO	1
11502330020	GEAR , REVERSE 35T	1
11103240040	COLLAR , 43X35X119	2
11102540040GB	LEVER , PTO	1
18027090600	BAND CLAMP 60 EMBO TYPE	3
11105030170	SHAFT , SLOW RETURN	1
11115103800	HOSE ASSY , MAIN/830	1
11205104501GB	PIPE COMP , TANK	1
11103190010M	FORK , DIFF LOCK	1
11105052102	LEVER COMP , POSITION	1
11116213500	HEAD LAMP ASSY , LH	1
16997021960	INSULATOR , 32	3
16791220010	PAD	1
V2014610025	BOLT , HEX	2
11105030130	SPRING , 15	1
11111034000	HOSE , AIRCLEANER/OUT	1
V2013608040	BOLT , HEX	1
V3002600050	NUT , HEX/1	6
11131162300	CABLE ASSY , ACCELERATOR/F	1
11102530011	SHAFT , PTO	1
11502522110	HUB , ONEWAY CLUTCH	1
11501305000	ROD ASSY , CLUTCH	1
11101112010	COVER , INLET	1
11101112031	INSULATOR , FUEL	1
V2123606025	BOLT , HEX /SP	6
V2513408020	BOLT , STUD/2	2
11104125100	CAP ASSY , OIL	1
13153181020	SHIM , 0.1	2
11102540010M	FORK , PTO	1
V6544252913	BEARING , NEEDLE CAGED	1
11102630020	GUIDE , BALL	1

PART NUMBER DESCRIPTION QTY for EACH TRACTOR

11105050010M	FORK , VALVE	1
11105050021	LEVER , POSITION	1
11111114100	HOSE ASSY, FUEL/1110	1
11147022401GB	FRAME COMP , LH/SPRT	1
11105030070	PLATE	1
11116013501	PIN COMP , FRONT UP LH	1
11116013601	PIN COMP , FRONT UP RH	1
11106024501	STAY SUB , HOOD	1
11111040120GB	BRACKET , RD HOSE FIX	1
V2013608030	BOLT , HEX	1
21004100070	STOPPER , ARM/CARRYING	1
11116214300	INSULATOR , SIDE/RR	1
11101112020	HOSE ASSY, COVER	1
11111113500	HOSE ASSY, FUEL FILTER/220	1
11111113201	HOSE ASSY, FUEL IN/380	1
11106492500GB	BRACKET COMP , PTO SENSOR	1
11106401200	SUPPORT COMP , RR/SEAT	1
11202520011	SHAFT , PTO COUNT	1
14522090350	BUSH , 30X35X25.4	2
V2123606020	BOLT , HEX /SP	5
11205020030	WASHER , RUBBER(8X16X4)	2
11115153400GB	FLANGE COMP , OUT	1
11104112260M	CASE , FR DIFF	1
11105153100	PIPE COMP , SUCTION	1
11105030061	ROD , PISTON	1
11107022100GB	FRAME COMP , LOW	1
11107022600GB	FRAME COMP , CTR/SPRT	1
11106300032	INSULATOR , COVER	1
11102611020	IDLE , 4WD 32T	1
V2173608012	BOLT , HEX/S	3
11102712110	GEAR , SPUR 32T	1
11116013700	PIN COMP , LOW	2
11111480010GB	PLATE , REAR	1
15134080020	HOSE , OIL	1
11203230010	SHAFT , PINION LH/9T	1
11105010011M	CASE , CYLINDER	1
11116212200SR	HOOD COMP	1
11105405140	BAR	1
11107012120GB	PLATE , SMV	1
19951019340	BOLT , FLYWHEEL	5
11131100120	BUSH , 15X18X15	1
V5201006032	PIN , PARALLEL/A	1
11202530050	HUB , 35X62X27	1
11202530030	GEAR , SPUR 41T	1
11502522010	SHAFT , ONEWAY CLUTCH	1
11504100010	SHAFT , 4WD	1
V7231015006	O-RING , S	1
12389010070	LABEL , SEAL D30	1
11201032010	BODY	1
11511213100	HOSE , AIRCLEANER INLET	1

PART NUMBER DESCRIPTION QTY for EACH TRACTOR

11116302380GB	FIX BRACKET , CABLE ASSY	1
11105405150	KNOB	1
11126313011GB	STAY , SIDE MIRROR	2
11115153300GB	FLANGE COMP , SUCTION	1
11106562000	LAMP SUB ASSY , STOP	2
19027612020	PIN , M8	1
11104120010M	AXLE HOUSING , FRONT	1
11104412070	BOLT , STUD/2	4
11103180070	SHAFT , DIFF PINION	1
11102611010	PINION , 4WD 18T	1
11202530022	GEAR , PTO 50T	1
11102610020	GEAR , 4WD 22T	1
11502300011M	CASE , MID TM	1
11502310010	GEAR , INPUT	1
11502200011M	COVER , FRONT	1
16701015001	PLUG ASSY , DRAIN (MAGNET)	1
11103270010M	COVER , BRAKE	2
11105020020M	CRANK , LIFT	1
11503280020	PAD , BRAKE	2
11146602001	PANEL ASSY , METER	1
17995060150	SPRING	1
11143292300	CABLE ASSY , HAND BRAKE /RH	1
V2173608065	BOLT , HEX/S	5
V6001506204	BEARING , BALL	1
V3042600140	NUT , HEX/2	4
15642750070	WASHER , 27X40X2	2
11147022200	GAS SPRING , ROPS	1
34522153200	SWITCH	1
V2514410030	BOLT , STUD/2	2
11103180030	DIFF GEAR , 20T	2
11103180040	PINION , DIFF 15T	2
V7801000002	PLUG , HEX-SOCKET	5
11502320040	GEAR , MAIN 30-45T	1
11203240020	GEAR , WHEEL 59T	2
12126684400	WIRE , EARTH	1
11502442400	GRIP COMP , MAIN SHIFTER	1
11106402201SR	FENDER COMP , RH	1
16001220000GB	PLATE COMP , ACCELERATOR	1
13613202100	BRAKE , HAND	1
11103412200MS	WHEEL RIM(W8X16)	2
11115182200	GEAR PUMP ASSY , 11cc	1
11116081200GB	FRAME COMP , FRONT	1
11511213300	DUCT , AIR INLET	1
V3052600080	NUT , HEX/3	2
11811491400	FUEL HOSE , 250	1
14326462600	SWITCH ASSY , INTENTION	1
11106402101SR	FENDER COMP , LH	1
11506412120	MAT , RH	1
V2023612045	BOLT , HEX FINE	4
11501302200	BAR SET , CLUTCH	1

PART NUMBER DESCRIPTION QTY for EACH TRACTOR

16791300020	BOLT , FORK/RELEASE	2
16994012020	COVER , STEERING	1
16992011110	CONNECTOR	1
11502350110	WASHER	3
11115153200GB	PIPE COMP, SUCTION	1
11106401501SR	PANEL COMP , LH/FLOOR	1
V3043600200	NUT , HEX/2	1
11143292200	CABLE ASSY , HAND BRAKE /LH	1
11131100110	SHAFT , DRIVE	1
11502400012M	CASE , REAR TM	1
11502411011	GEAR , RANGE 15-35T	1
11102542002	LEVER SET , PTO	1
11502350150	PIN , SPRING	2
11502350090	SPRING , HC20	2
V2173610065	BOLT , HEX/S	1
11501300030	MOUNTING RUBBER , CLUTCH	1
11206642101	CASE ASSY , FUSE	1
11106403100SR	FENDER BRACKET COMP , LH	1
V2013608095	BOLT , HEX	2
11147022501GB	FRAME COMP , RH/SPRT	1
15904370010	TUBE , 9.5-16	2
11121012000	FLYWHEEL ASSY	1
11501013011M	HOUSING , FLYWHEEL	1
11502430011M	FORK , RANGE	1
11502432000	LEVER SET , RANGE	1
11502350010M	FORK , MAIN 1-3	1
11502350020M	FORK , MAIN 2-R	1
11502350051	SHAFT , LEVER	1
11502352100	HOOK COMP , MAIN 1-3	1
11502353100	HOOK COMP , MAIN 2-R	1
11502353300	LINK COMP , MAIN 2-R	1
11502350120	HUB , MAIN	1
11502352301	LINK COMP , MAIN 1-3	1
11502352500	PLUG , M20	1
11502352600	PLUG , UNF7/8	1
11126684201	WIRE , EARTH	1
11501302100	ARM COMP , CLUTCH	1
11126684003	HARNESS ASSY , RR	1
11116213800GB	BRACKET COMP , LH/RR	1
11116213900GB	BRACKET COMP , RH/RR	1
11106400030	CAP , SWITCH	1
11506412110	MAT , LH	1
11126111050	SWITCH ASSY , SUSPENSION SEAT	1
15829040220	LABEL , MODEL/EU	1
12519100140	LABEL , JACK POINT	1

0. 트랙터 KIT PART NO. TK1

FIG 001 K1 AUTO THROTTLE KIT

7

FIG 001 VALVE KIT, AUX

9

FIG 001 AUX VALVE KIT

11

FIG 001 T255NCEU	K1 AUTO THROTTLE KIT	년/월 Year/Month 2022-12
---------------------	----------------------	------------------------------

--	--

NOTE	
------	--

FIG 001 T255NCEU	VALVE KIT, AUX	년/월 Year/Month 2022-12
---------------------	----------------	------------------------------

--	--

NOTE	
------	--

FIG 001 T255NCEU	AUX VALVE KIT	년/월 Year/Month 2022-12
---------------------	---------------	------------------------------

--	--

NOTE	
------	--

1. 엔진 PART NO. EG

FIG 100 ENGINE	14
FIG 101 CYLINDER BLOCK	16
FIG 102 GEAR HOUSING	18
FIG 103 OIL SUMP	20
FIG 104 CYLINDER HEAD & BONNET	22
FIG 105 EXHAUST MANIFOLD	25
FIG 106 CAMSHAFT & DRIVING GEAR	27
FIG 107 CRANKSHAFT & PISTON	29
FIG 108 LUB.OIL SYSTEM	31
FIG 109 COOLING WATER SYSTEM	33
FIG 110 FUEL INJECTION PUMP	35
FIG 111 GOVERNOR	37
FIG 112 FUEL INJECTION VALVE	39
FIG 113 FUEL FILTER	41
FIG 114 STARTING MOTOR	43
FIG 115 GENERATOR	45

FIG 100 T255NCEU	ENGINE	년/월 Year/Month 2022-12
---------------------	--------	------------------------------

--	--

NOTE	
------	--

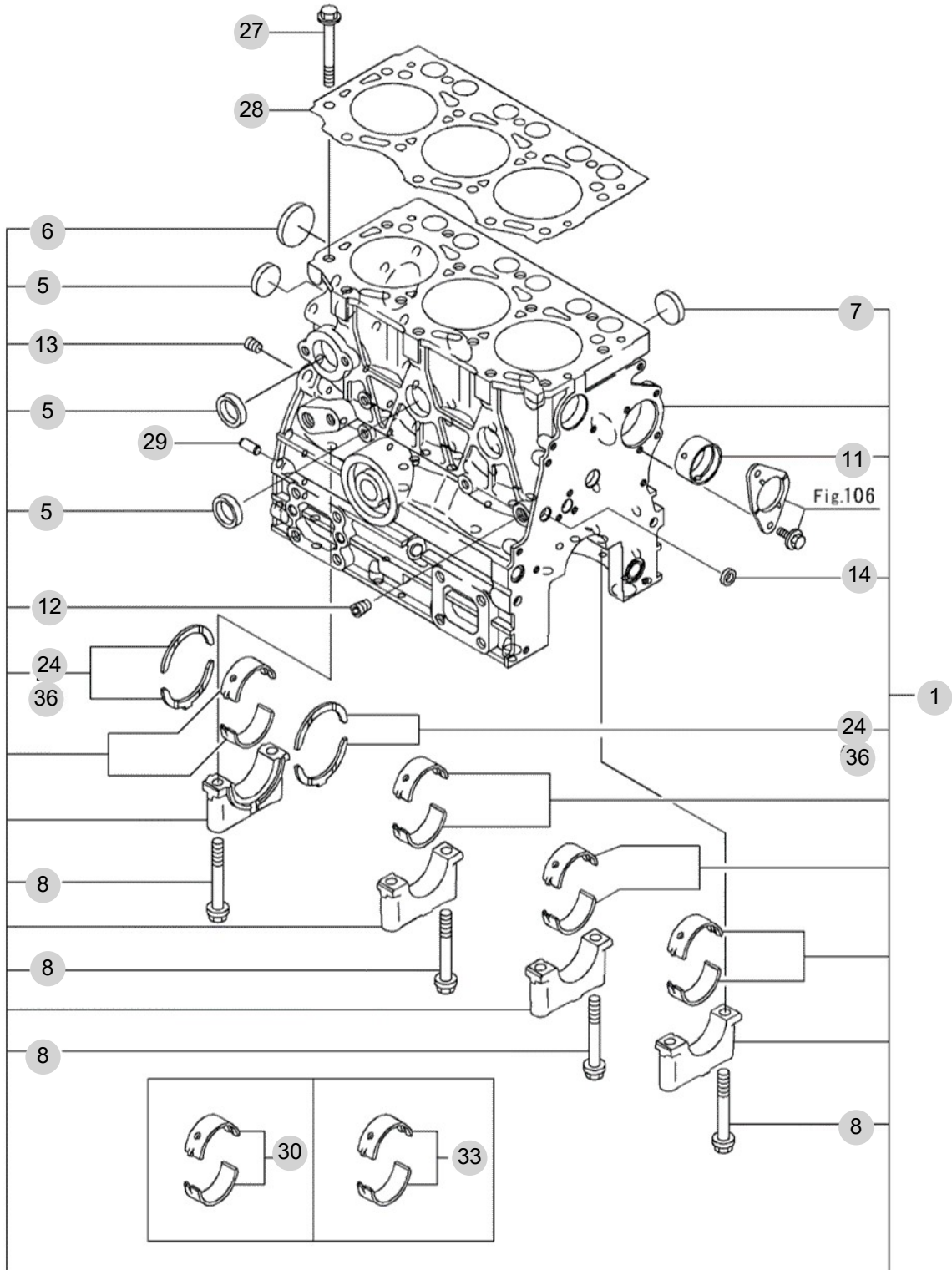
FIG 101

CYLINDER BLOCK

년/월
Year/Month

2022-12

T255NCEU



NOTE

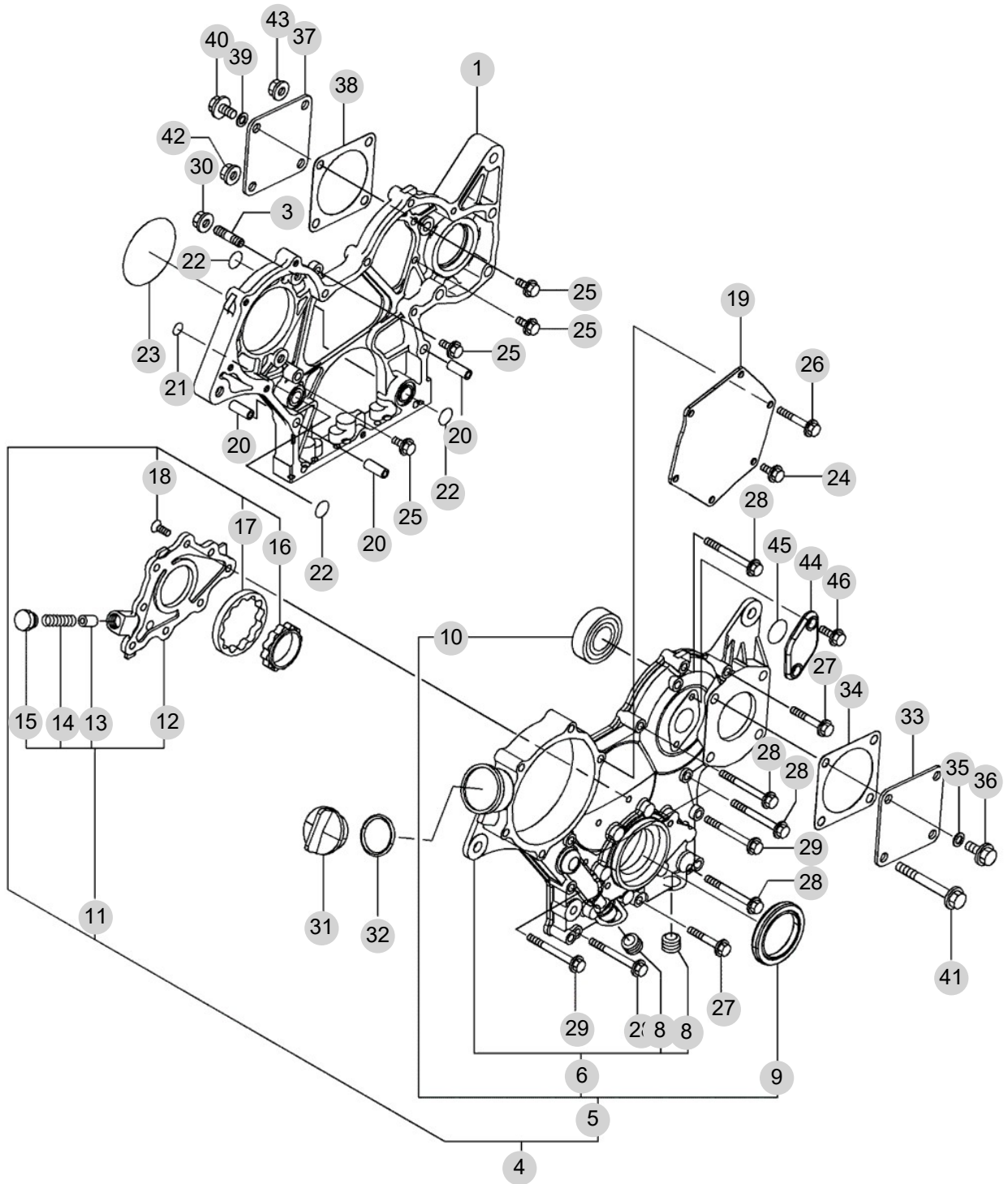
FIG 102

GEAR HOUSING

년/월
Year/Month

T255NCEU

2022-12



NOTE

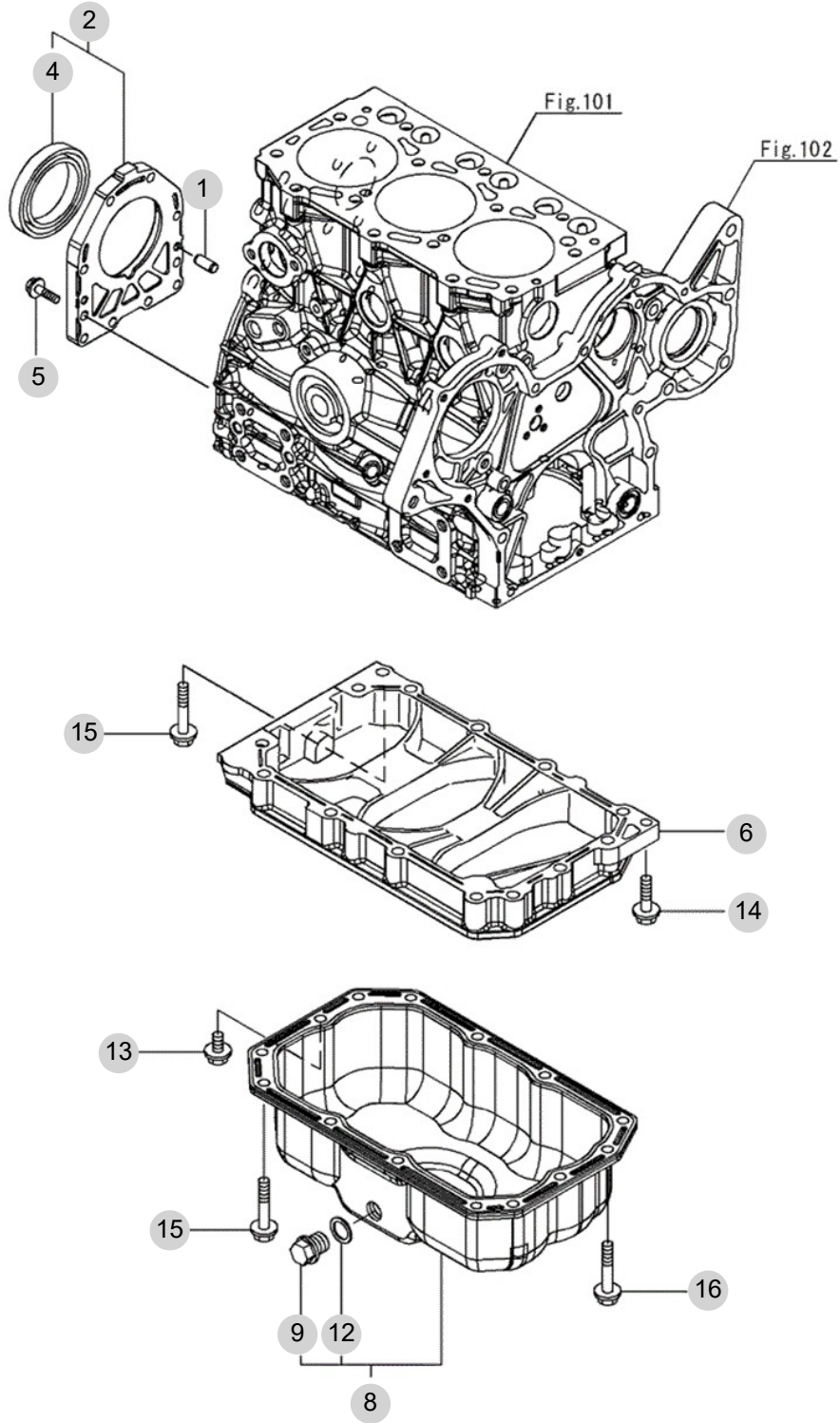
FIG 103

T255NCEU

OIL SUMP

년/월
Year/Month

2022-12



NOTE

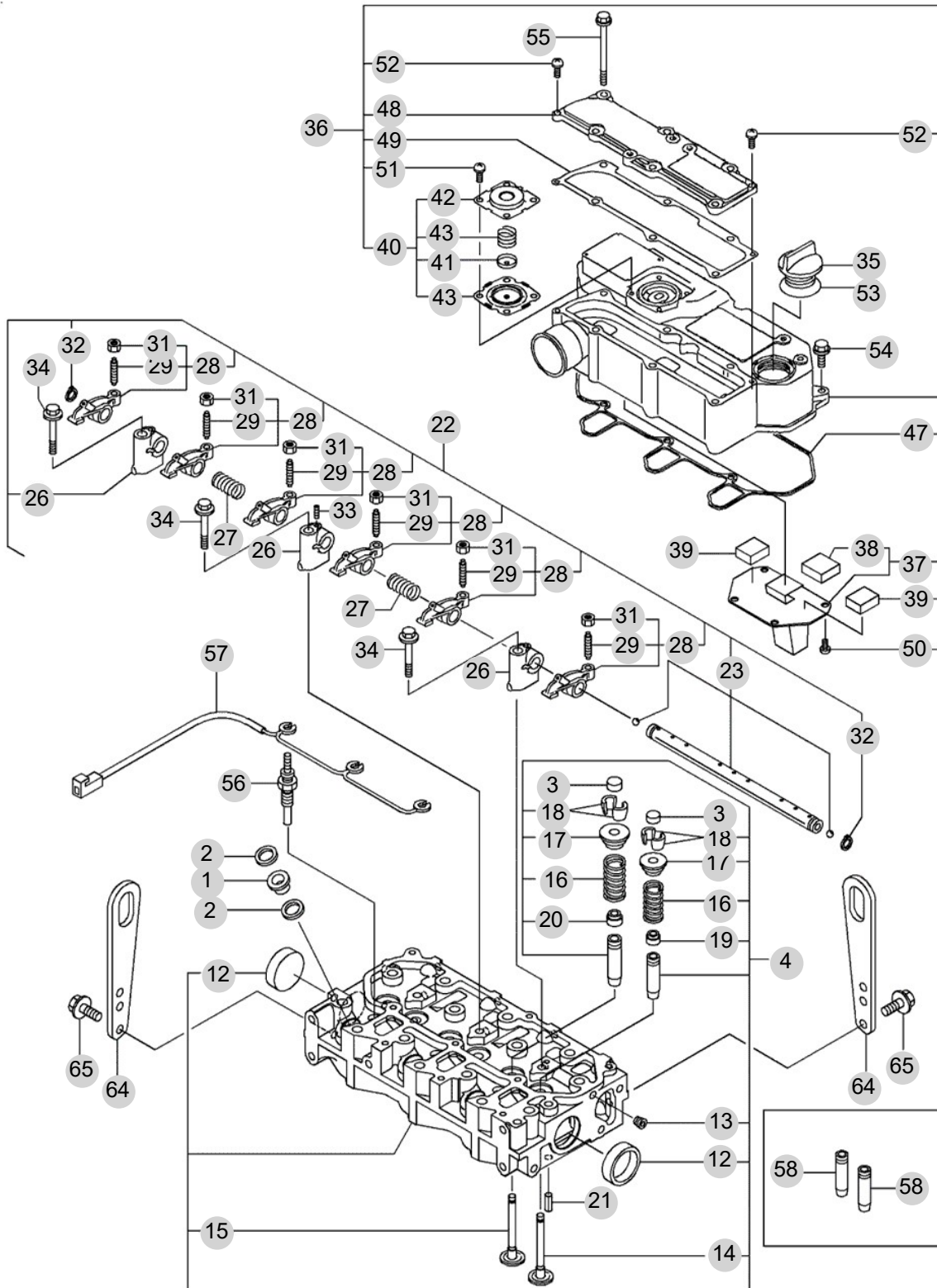
FIG 104

CYLINDER HEAD & BONNET

년/월
Year/Month

2022-12

T255NCEU



NOTE

FIG 104		CYLINDER HEAD & BONNET					년/월 Year/Month		
							2022-12		
T255NCEU		KEY NO	PART NO	DESCRIPTION	SPEC	QTY	REPAIR	EFFECTIVE DATE	REMARKS
104	1	129901-11450	PROTECTOR, NOZZLE			3			
104	2	119600-11460	GASKET, NOZZLE			6			
104	3	105010-11490	CAP, VALVE			6			
104	4	119717-11740	HEAD ASSY, CYLINDER			1			
104	12	119285-11990	PLUG, 35			2			
104	13	23876-005000	PLUG, R005			1			
104	14	119717-11101	VALVE, INTAKE			3			
104	15	119717-11110	VALVE, EXHAUST			3			
104	16	119717-11131	SPRING, VALVE			6			
104	17	129508-11180	RETAINER, SPRING			6			
104	18	119717-11190	COTTER			12			
104	19	119717-11340	SEAL, VALVE STEM			3			
104	20	119717-11350	SEAL, VALVE STEM			3			
104	21	22351-060012	스프링핀			2			
104	22	119717-11200	SUPPORT ASSY, ARM			1			
104	23	119717-11240	SHAFT ASSY, ROCKER			1			
104	26	119717-11260	SUPPORT, ROCKER ARM			3			
104	27	119620-11280	SPRING			2			
104	28	119717-11650	ARM, ROCKER			6			
104	29	129150-11230	SCREW, VALVE ADJUST			6			
104	31	129150-11750	NUT, M8			6			
104	32	22242-000120	RING, 12			2			
104	33	119260-11270	SCREW			1			
104	34	26106-080402	BOLT, M8X 40 PLATED			3			
104	35	124160-01751	COVER, FILLER			1			
104	36	119717-11381	BONNET ASSY, HEAD			1			
104	37	119717-03031	PLATE			1			
104	38	119717-03070	BAFFLE, BREATHER			1			
104	39	119717-03070	BAFFLE, BREATHER			2			
104	40	119802-03100	DIAPHRAGM ASSY			1			
104	41	119802-03110	PLATE			1			
104	42	119802-03121	COVER, DIAPHRAGM			1			
104	43	119802-03131	DIAPHRAGM			1			
104	44	119802-03141	SPRING, DIAPHRAGM			1			
104	47	119718-11310	GASKET, BONNET			1			
104	48	119717-11320	COVER, BONNET			1			
104	49	119717-11331	GASKET			1			
104	50	22857-500100	SCREW, 5X10			4			
104	51	22857-500100	SCREW, 5X10			4			
104	52	22857-500160	SCREW, 5X16			2			
104	53	24311-000320	운동용O링			1			
104	54	26106-060202	BOLT, M6X20 PLATED			3			
104	55	26106-060752	BOLT, M6X75 PLATED			6			
104	56	119717-77801	PLUG, GLOW			3			
104	57	119717-77820	CONNECTOR, GLOW PLUG			1			
NOTE									

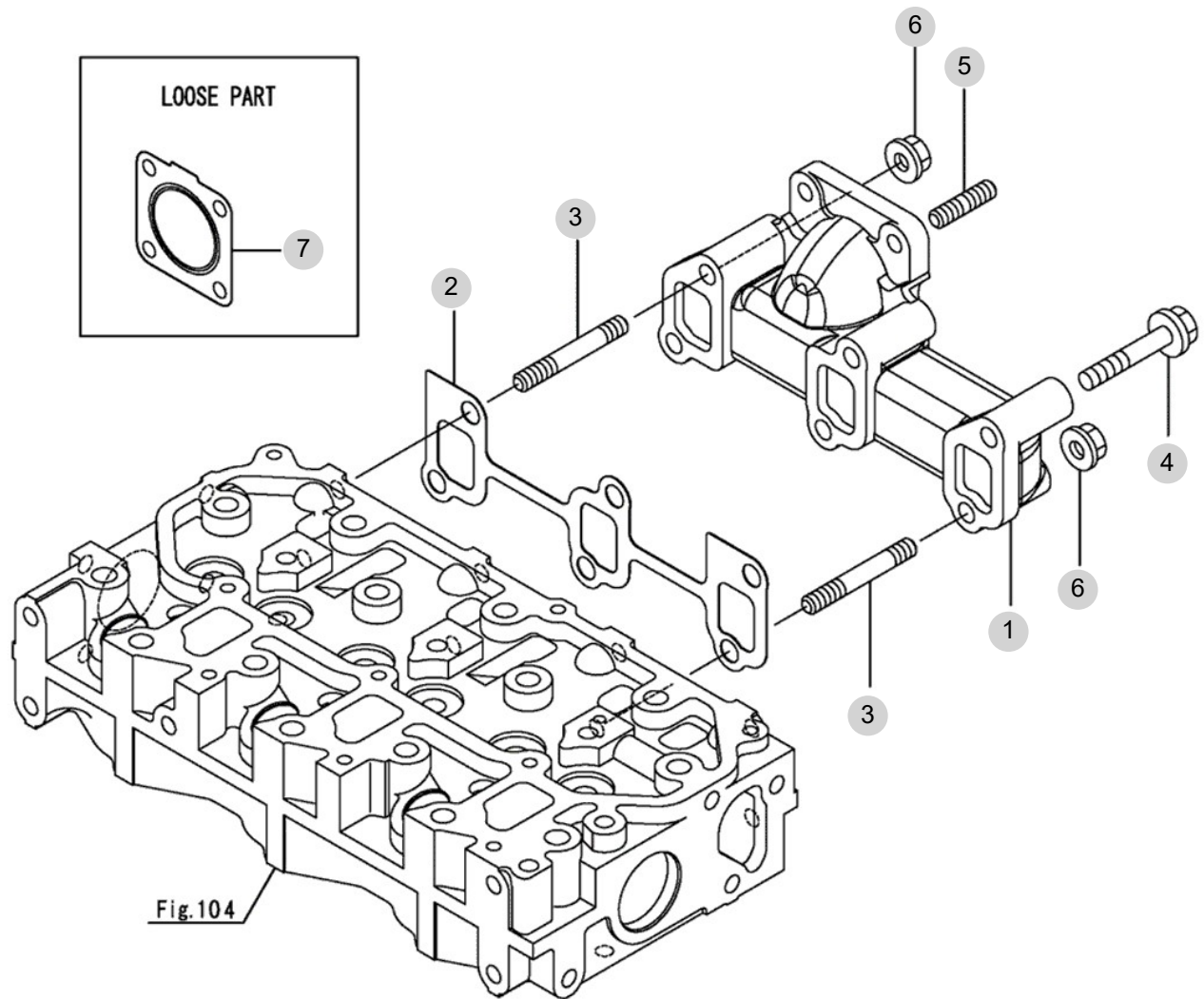
FIG 105

EXHAUST MANIFOLD

년/월
Year/Month

T255NCEU

2022-12



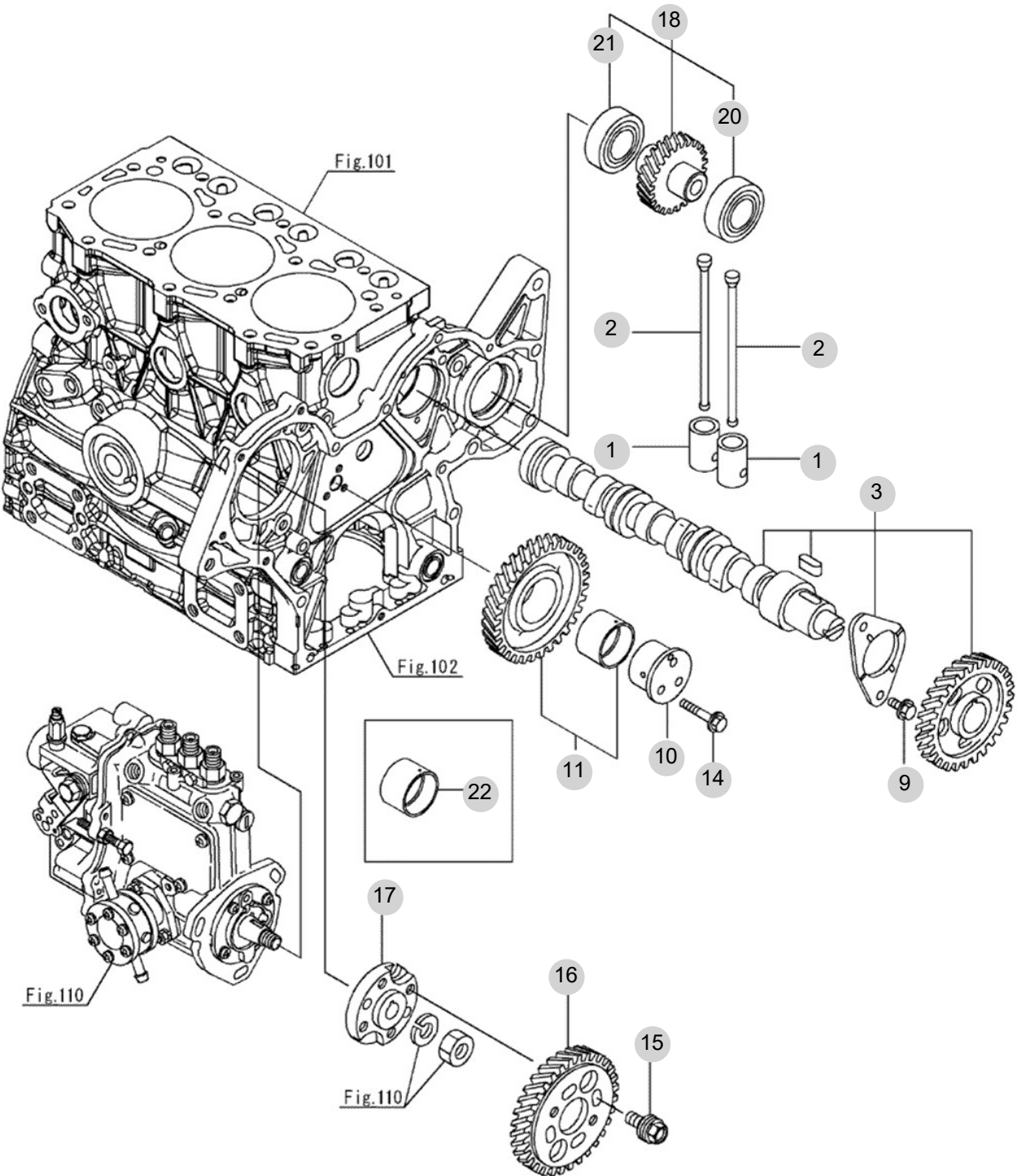
NOTE

FIG 106

CAMSHAFT & DRIVING GEAR

년/월
Year/Month

2022-12



NOTE

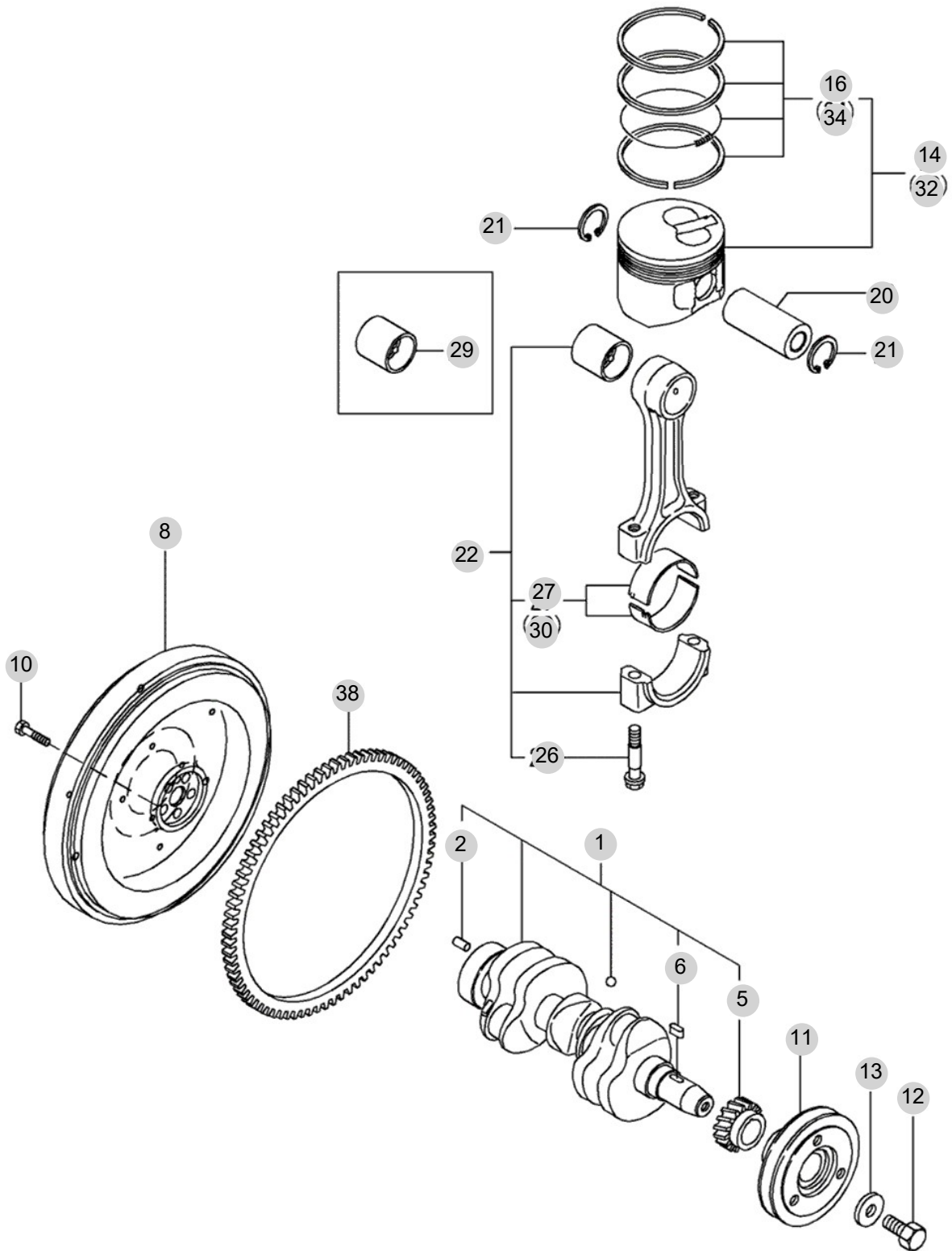
FIG 107

CRANKSHAFT & PISTON

년/월
Year/Month

T255NCEU

2022-12



NOTE

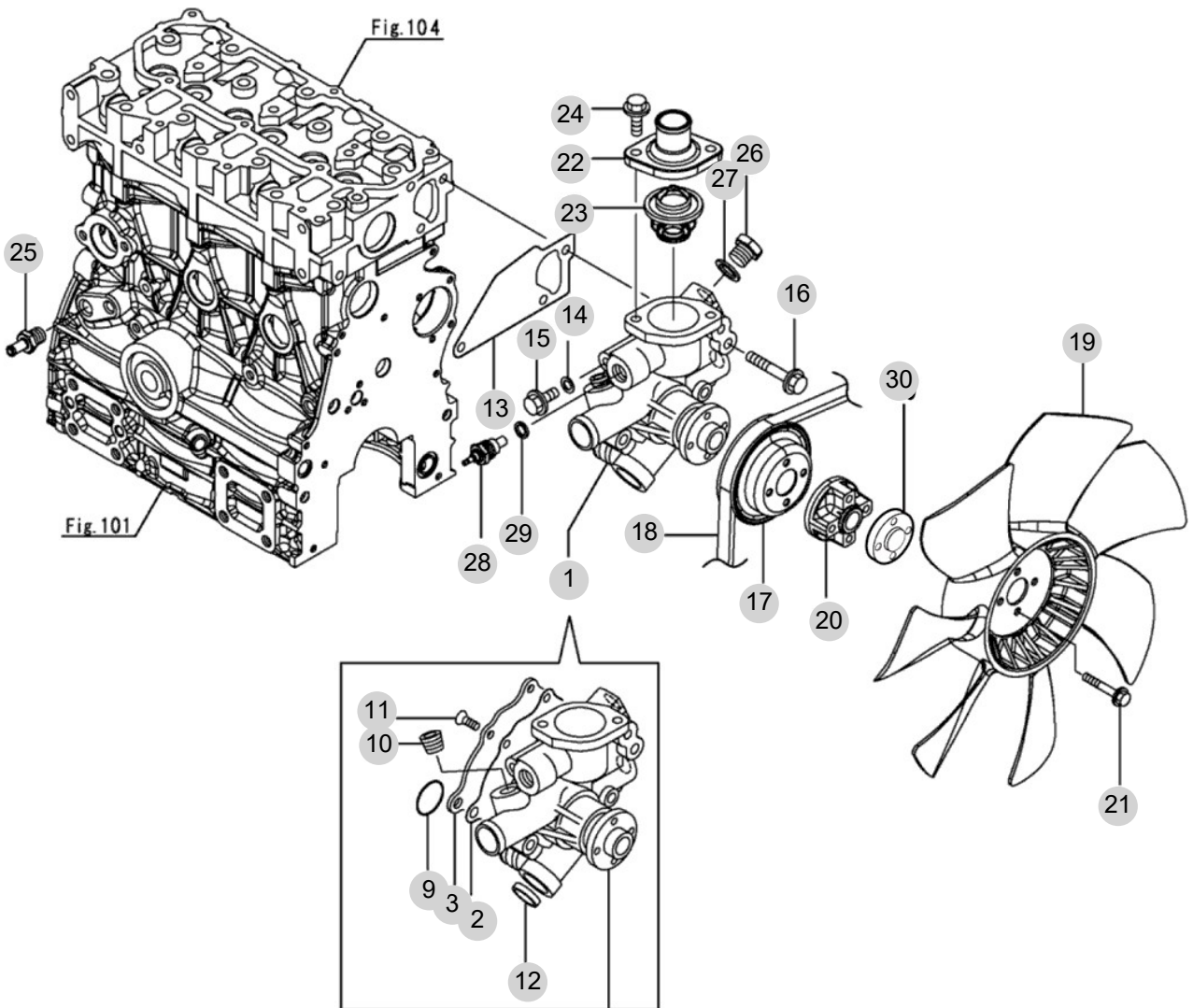
FIG 109

COOLING WATER SYSTEM

년/월
Year/Month

T255NCEU

2022-12



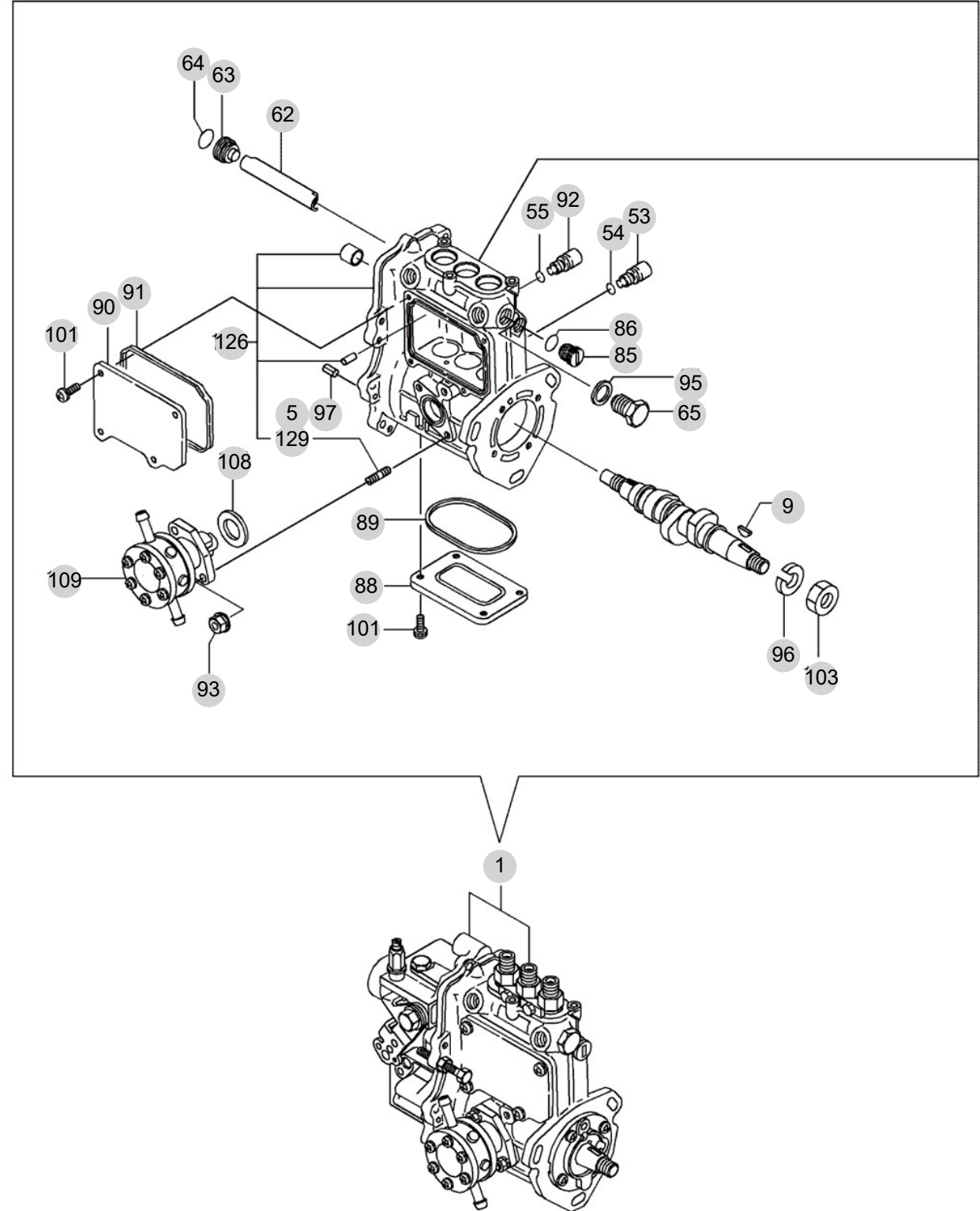
NOTE

FIG 110

FUEL INJECTION PUMP

년/월
Year/Month

2022-12



NOTE

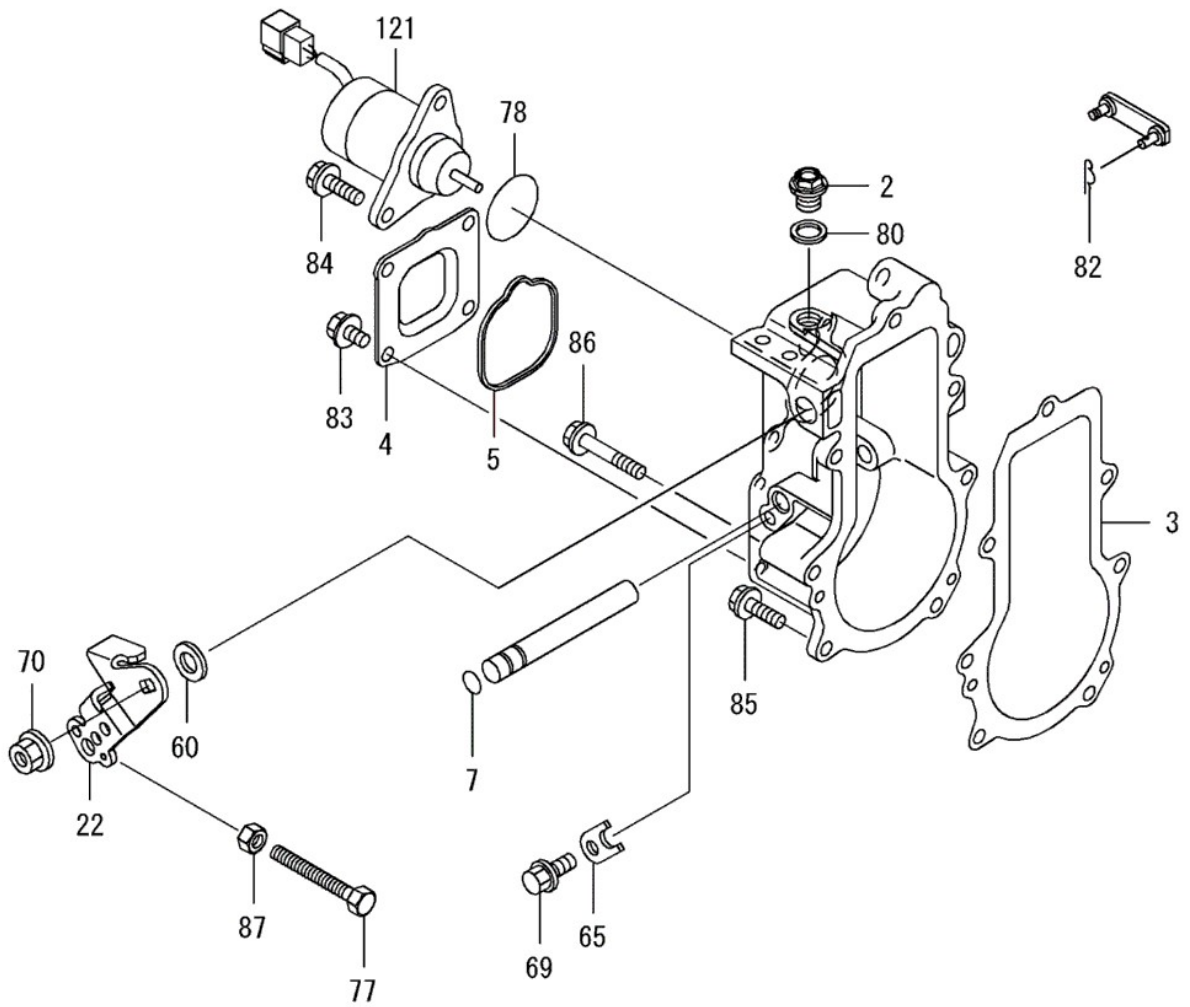
FIG 111

GOVERNOR

년/월
Year/Month

2022-12

T255NCEU



NOTE

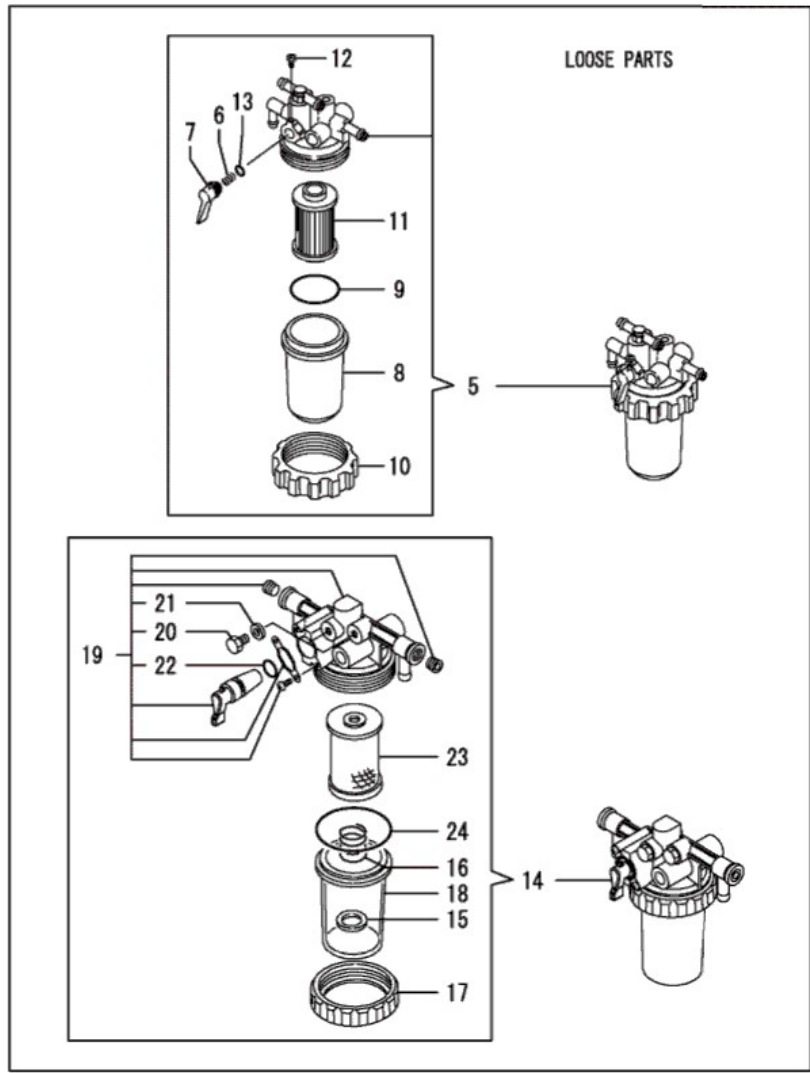
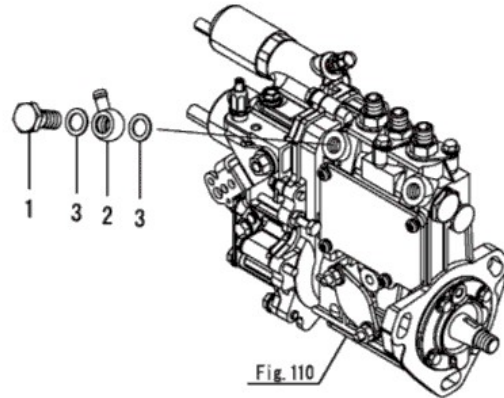
FIG 113

T255NCEU

FUEL FILTER

년/월
Year/Month

2022-12



NOTE

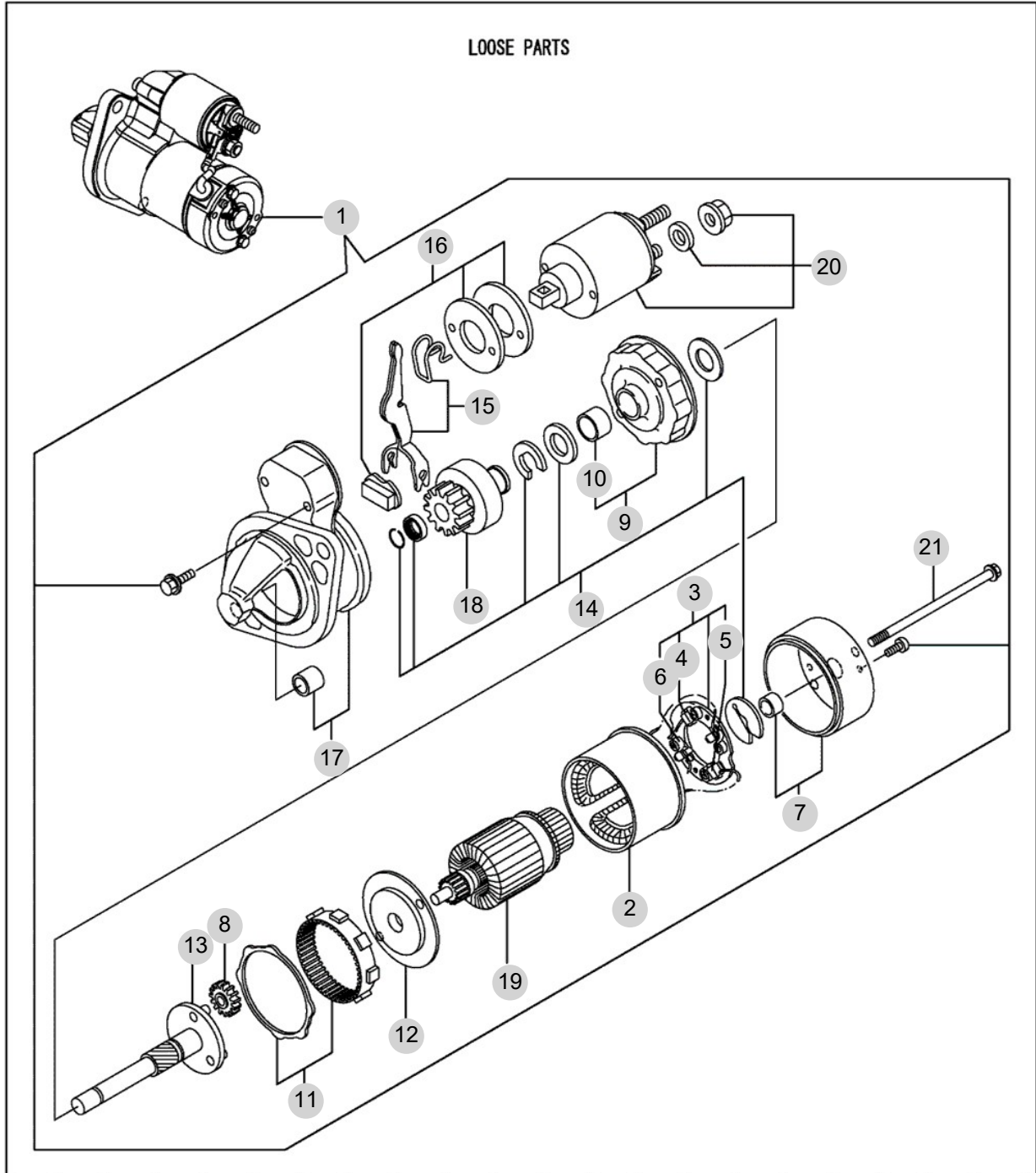
FIG 114

STARTING MOTOR

년/월
Year/Month

T255NCEU

2022-12



NOTE

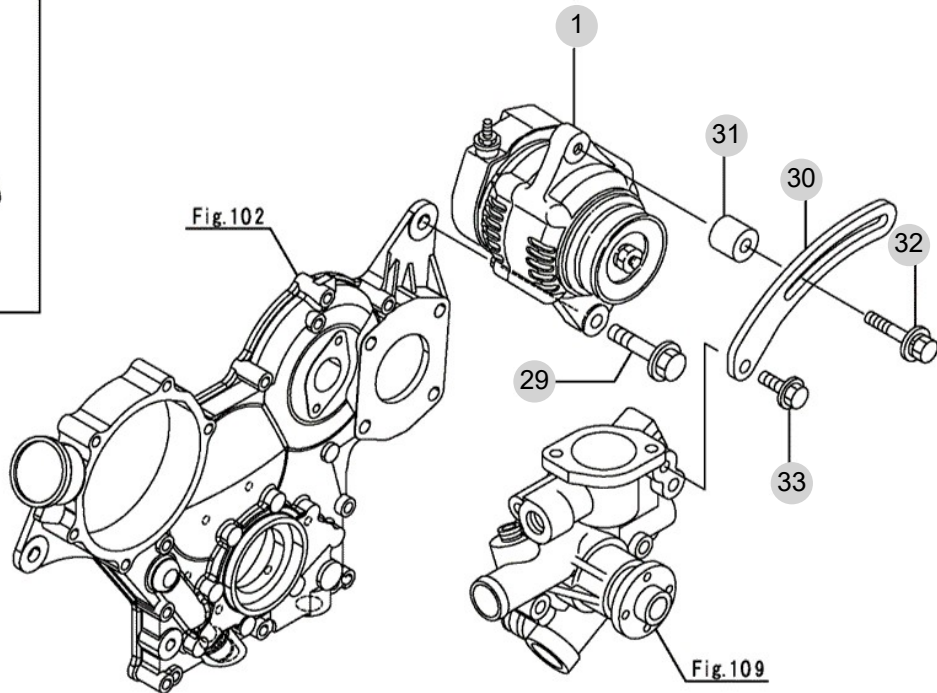
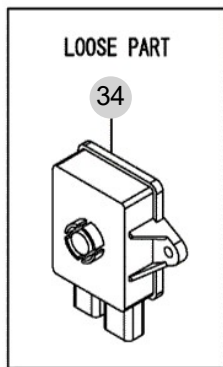
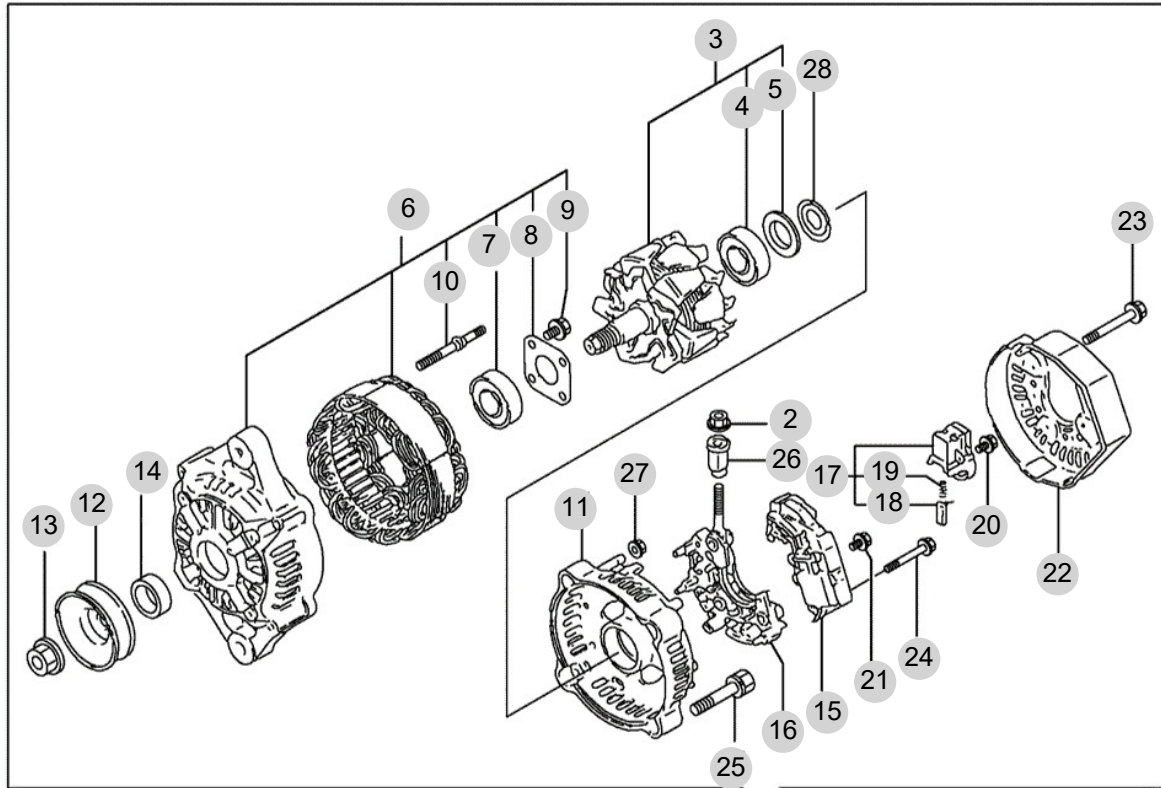
FIG 115

GENERATOR

년/월
Year/Month

2022-12

T255NCEU



NOTE

2. 엔진보기품 PART NO. T2

FIG 201 AIR CLEANER	48
FIG 202 RADIATOR	50
FIG 203 MUFFLER	52
FIG 204 FUEL TANK & FUEL LINE	54
FIG 205 ACCELERATOR	56
FIG 206 FUEL FILTER	58
FIG 207 ENGINE MOUNTING	60

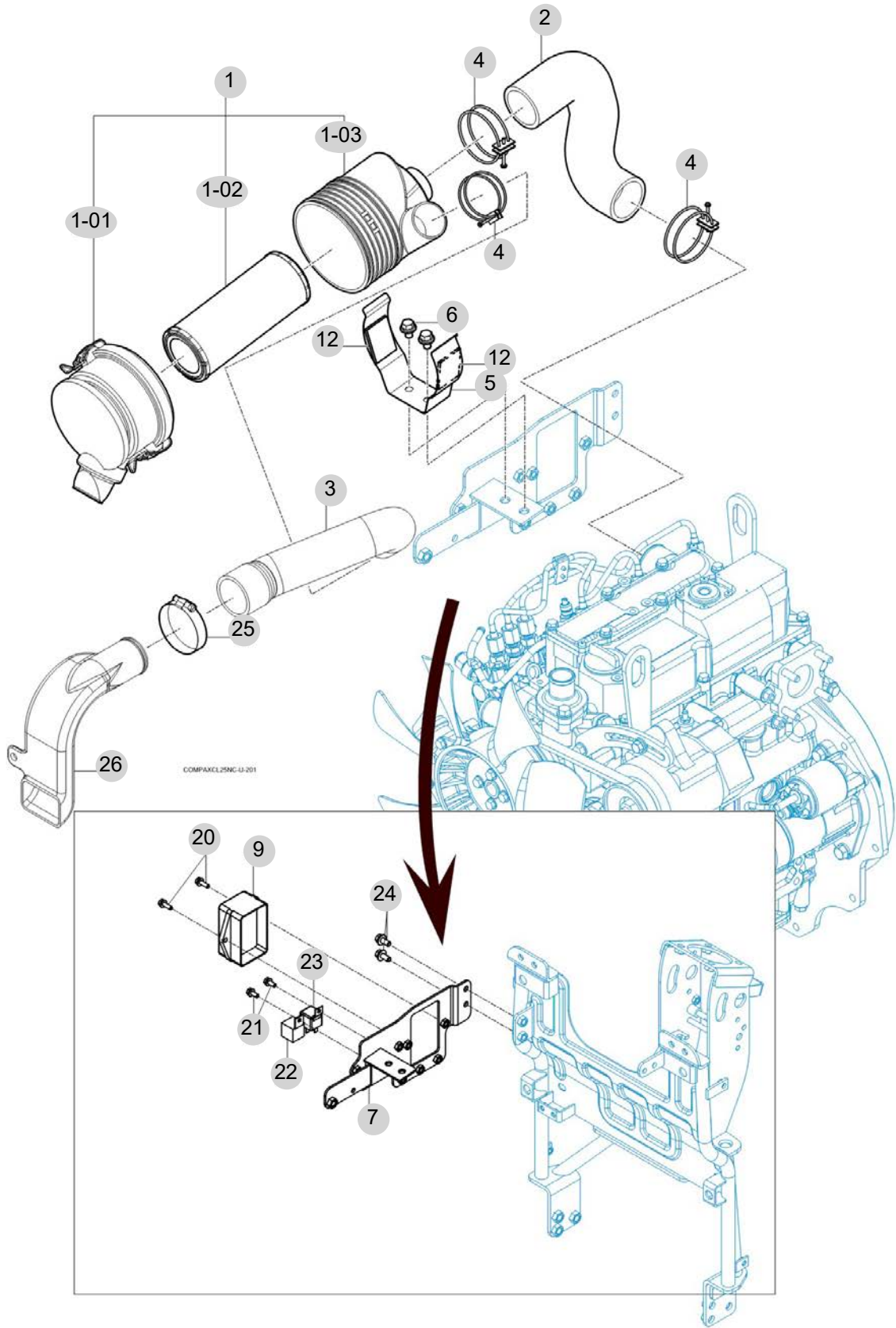
FIG 201

AIR CLEANER

년/월
Year/Month

2022-12

T255NCEU



NOTE

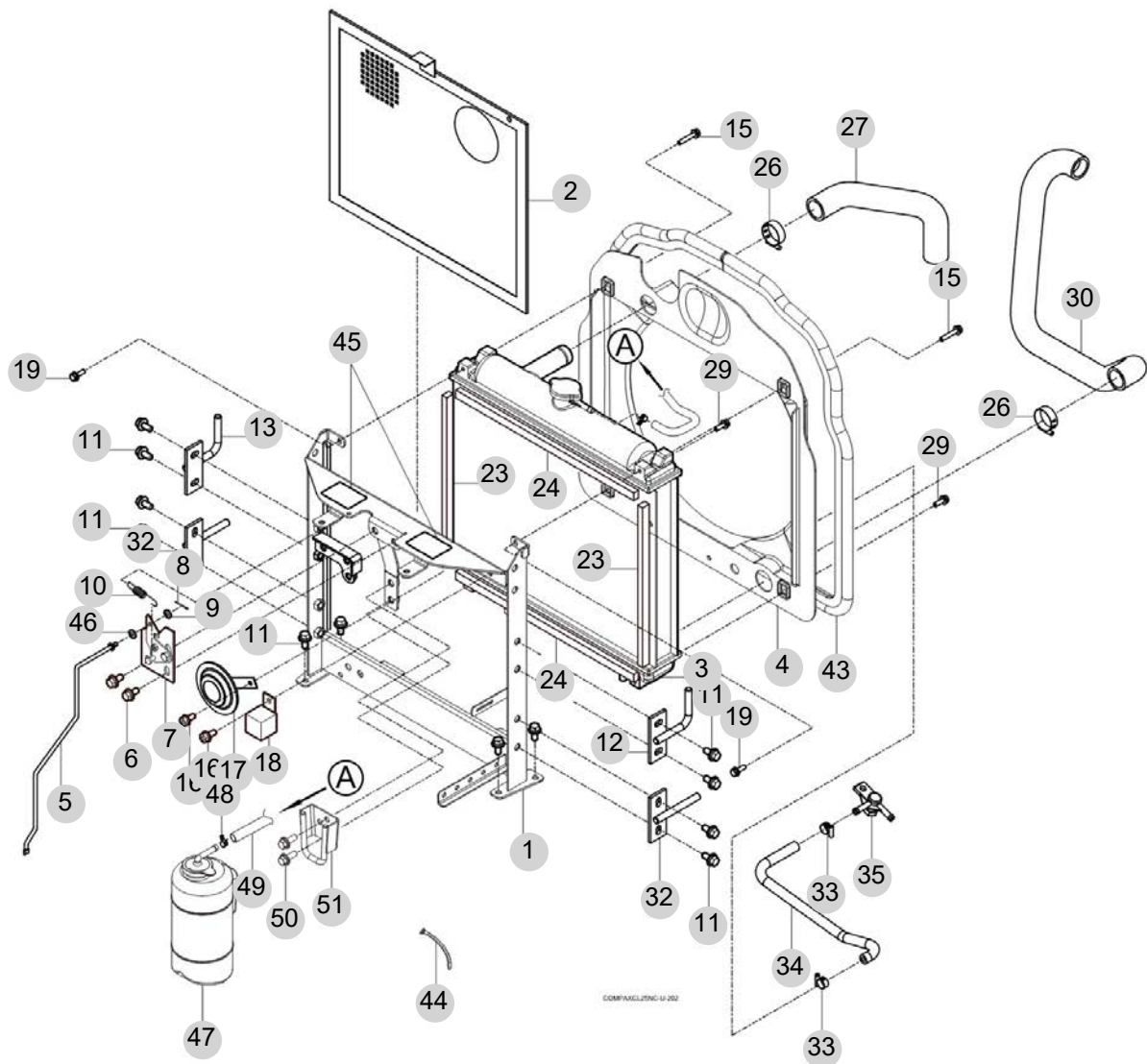
FIG 202

T255NCEU

RADIATOR

년/월
Year/Month

2022-12



NOTE

FIG 202 T255NCEU	RADIATOR						년/월 Year/Month
							2022-12

KEY NO	PART NO	DESCRIPTION	SPEC	QTY	REPAIR	EFFECTIVE DATE	REMARKS
202	1	11116081200GB	프런트 프레임 COMP				
202	2	11101042310GB	네트(라디에이터) COMP				
202	3	11111042000	라디에이터 COMP				
202	4	11111050050	슈라우드				
202	5	11126024300					
202	5	11126024301	로드(열림) COMP				
202	6	V2183608020	소형육각볼트보통(SP)	M8X20			
202	7	11106024501	후드 스테이 SUB				
202	8	V5001925020	핀				
202	9	V4111600060	평와셔	M6			
202	10	11106020010	인장스프링(40)				
202	11	V2183608020	소형육각볼트보통(SP)	M8X20			
202	12	11116013501	핀(전/상/좌) COMP				
202	13	11116013601	핀(전/상/우) COMP				
202	15	V2193606020	육각볼트(SPL)	M6X20			
202	16	V2323606016	심자훅육각볼트(SP)	M6X16			
202	17	13266212003	흔				
202	18	17686641110	예열릴레이				
202	19	V2323606016	심자훅육각볼트(SP)	M6X16			
202	23	11101042390	스폰지(314)				
202	24	11101042350	스폰지(410)				
202	26	14445100080	밴드 클램프 40				
202	26	18027090400	밴드 클램프 40 흡식				
202	27	11111040011	라디에이터 호스(인렛)				
202	29	V2193606020	육각볼트(SPL)	M6X20			
202	30	11111040110	라디에이터 호스(아웃렛)				
202	32	11116013700	핀 COMP(하)				
202	33	14501410050	밴드 클램프 16				
202	34	11111040091	라디에이터 연결호스				
202	35	15601041000	콘넥터 ASSY				
202	43	11201050080	인슐레이터 , 라디에이터				
202	44	15606950150	케이블타이(370)				
202	45	13016400010	씰 , 배터리 브래킷				
202	46	V7231015006	O링(S)				
202	47	16003302101	탱크(리저브)ASSY				
202	48	14501410050	밴드 클램프 16				
202	49	17995010150	호스(500)				
202	50	V2183608020	소형육각볼트보통(SP)	M8X20			
202	51	36753302201GB	홀더(탱크/리저브)COMP				

NOTE

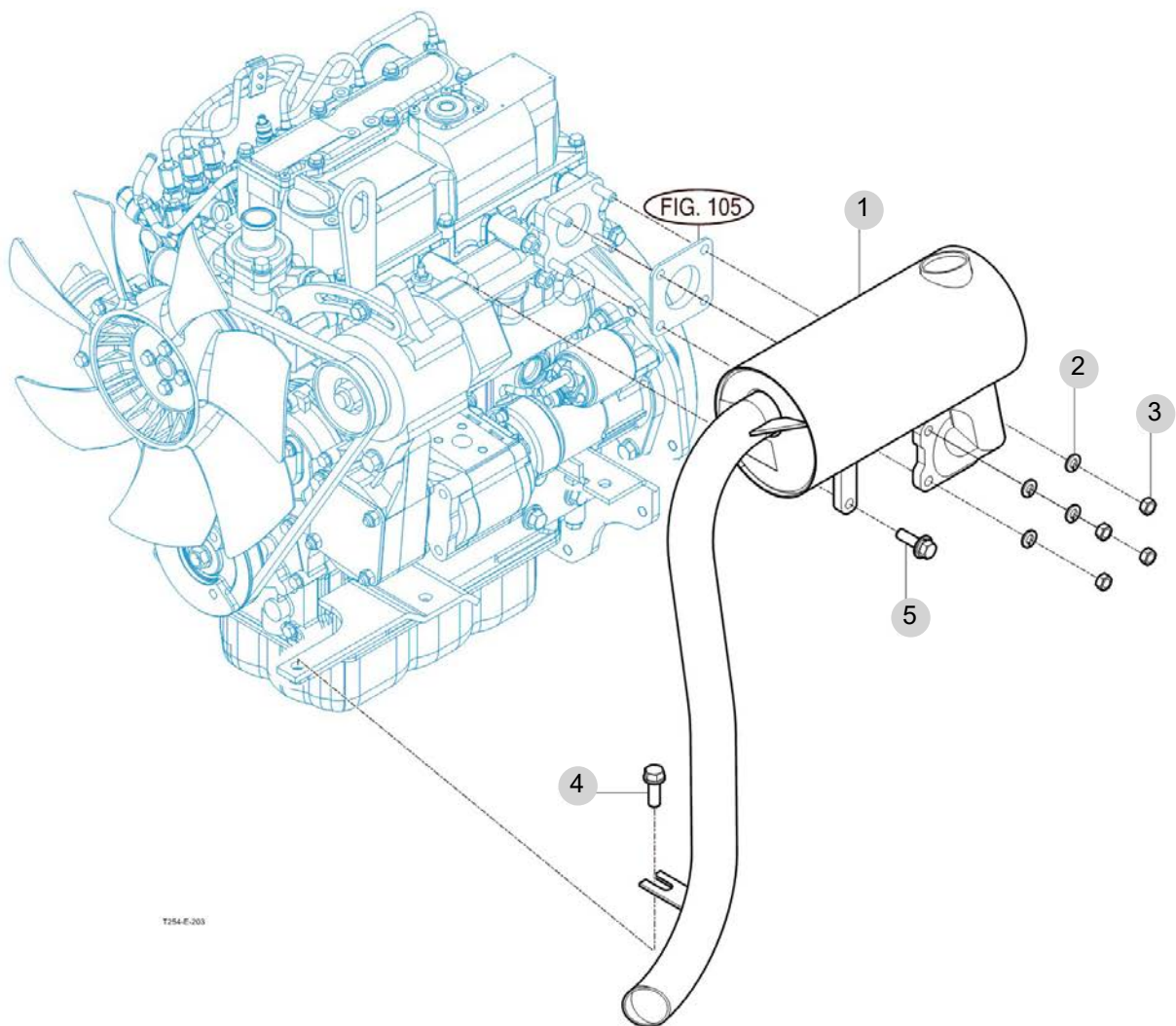
FIG 203

T255NCEU

MUFFLER

년/월
Year/Month

2022-12



NOTE

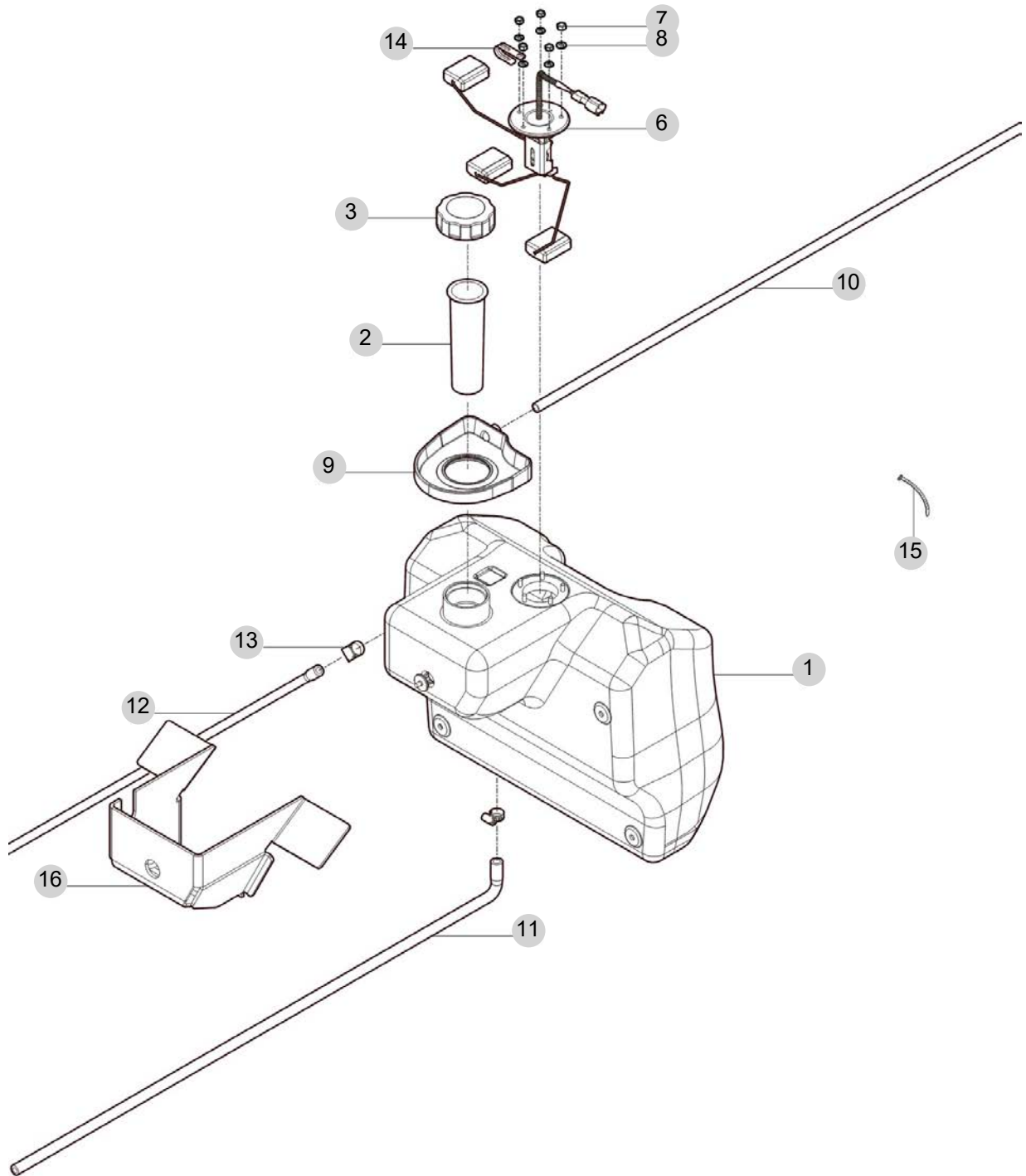
FIG 204

T255NCEU

FUEL TANK & FUEL LINE

년/월
Year/Month

2022-12



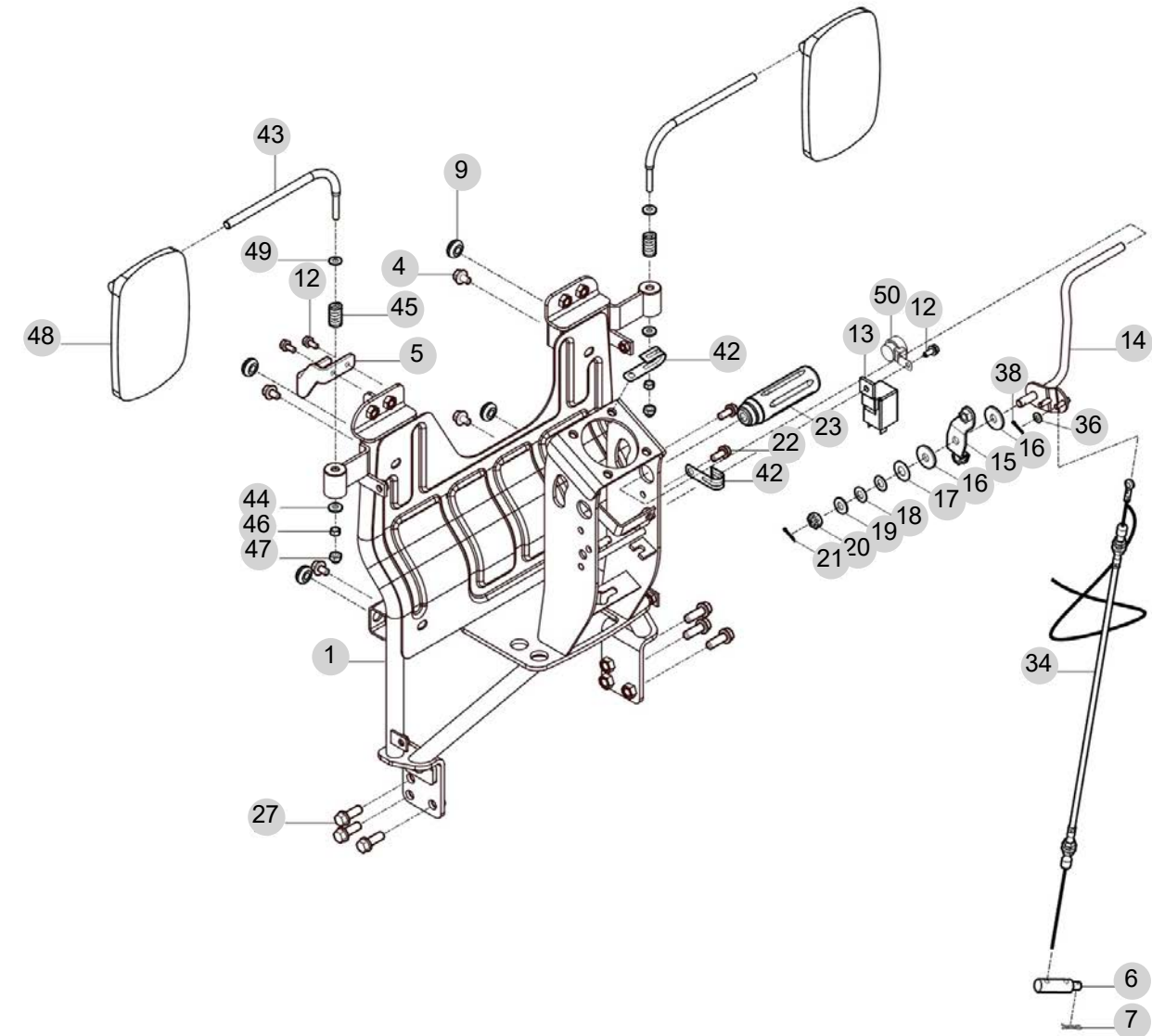
NOTE

FIG 205

ACCELERATOR

년/월
Year/Month

2022-12



TS25NCE-205

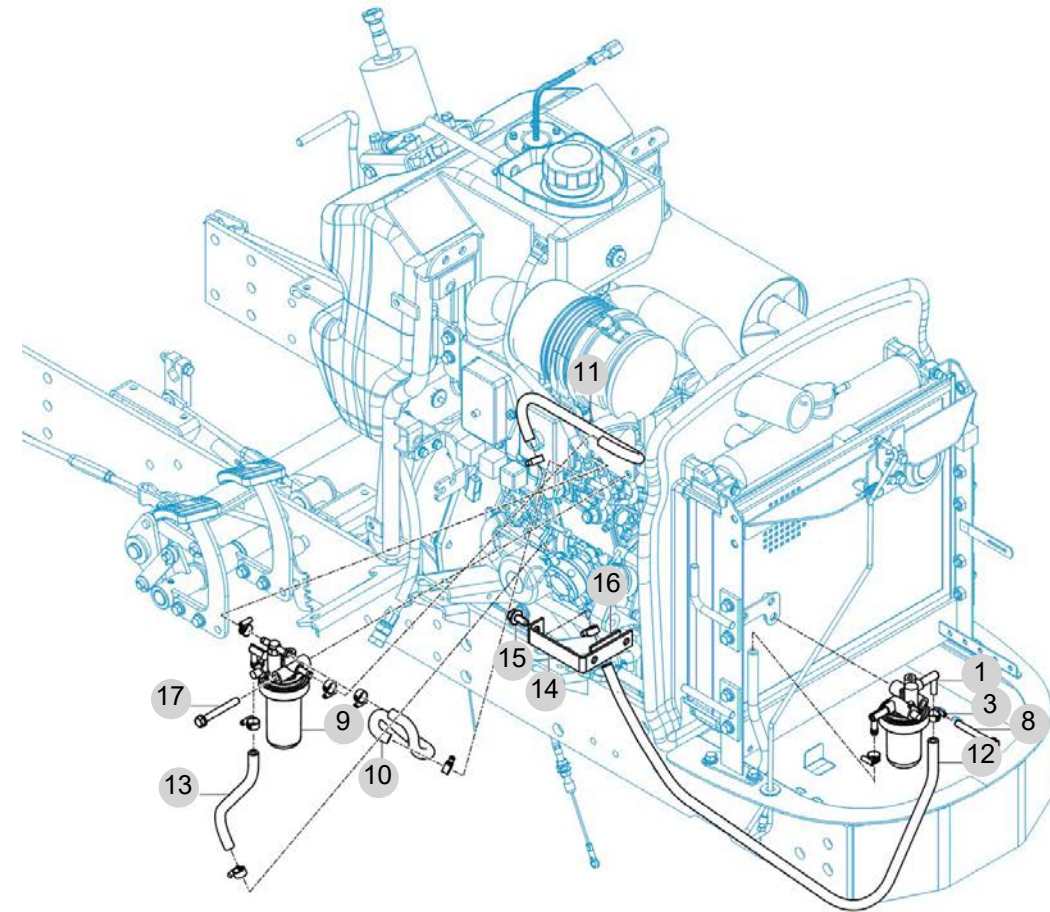
NOTE

FIG 206

FUEL FILTER

년/월
Year/Month

2022-12



NOTE

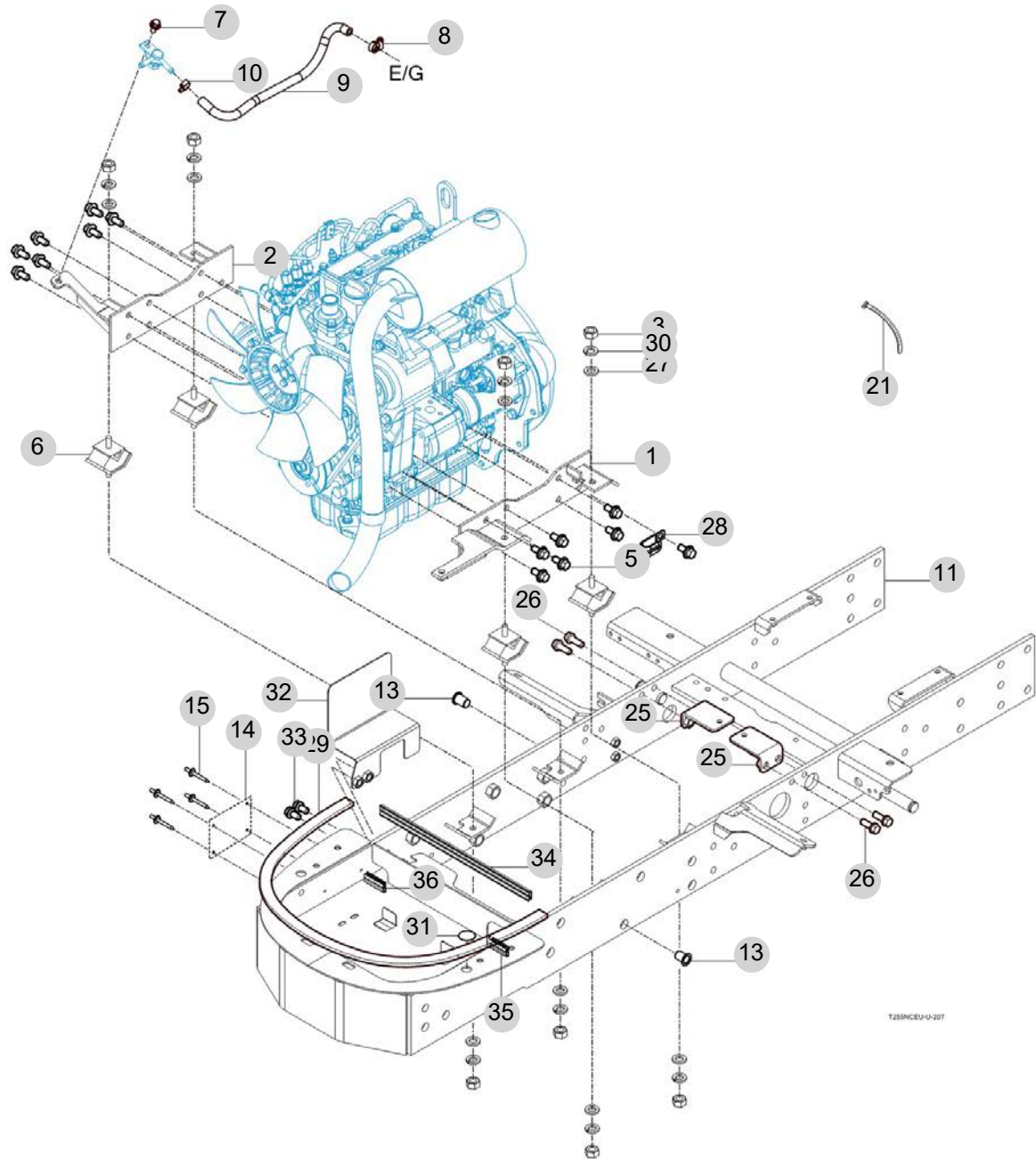
FIG 207

ENGINE MOUNTING

년/월
Year/Month

2022-12

T255NCEU



T255NCEU-U-207

NOTE

3. 클러치/브레이크/스티어링 PART NO. T3

FIG 301 FLYWHEEL COVER	63
FIG 302 BRAKE	65
FIG 303 CLUTCH , BRAKE PEDAL & LINKAGE	67
FIG 304 ACCELERATOR PEDAL & CABLE	69
FIG 305 DASH COVER	71
FIG 306 STEERING VALVE	73
FIG 307 STEERING CYLINDER	75
FIG 308 STEERING WHEEL	77
FIG 309 TIRE	79
FIG 310 HAND BRAKE	81

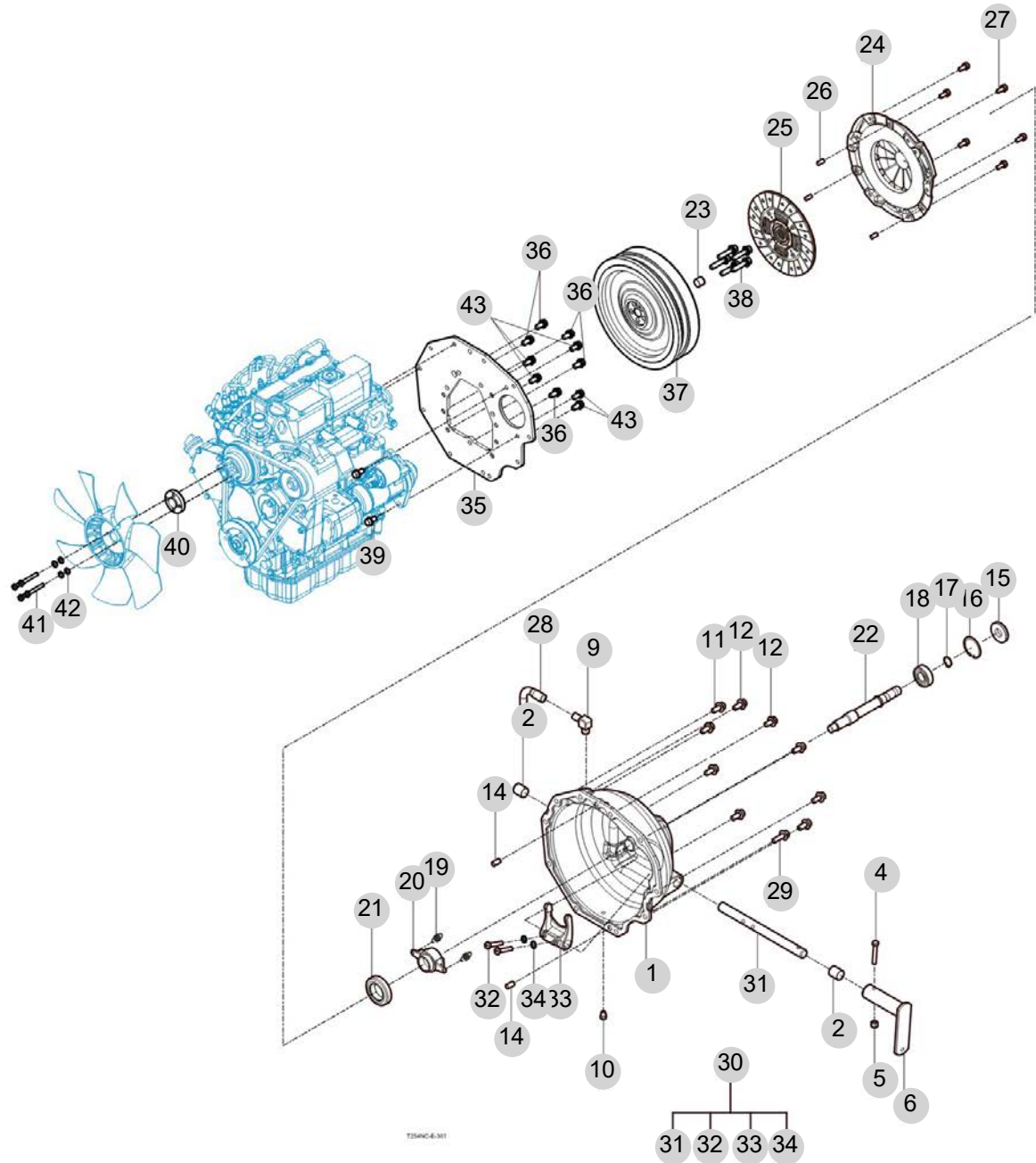
FIG 301

T255NCEU

FLYWHEEL COVER

년/월
Year/Month

2022-12



T255NCE-311

NOTE

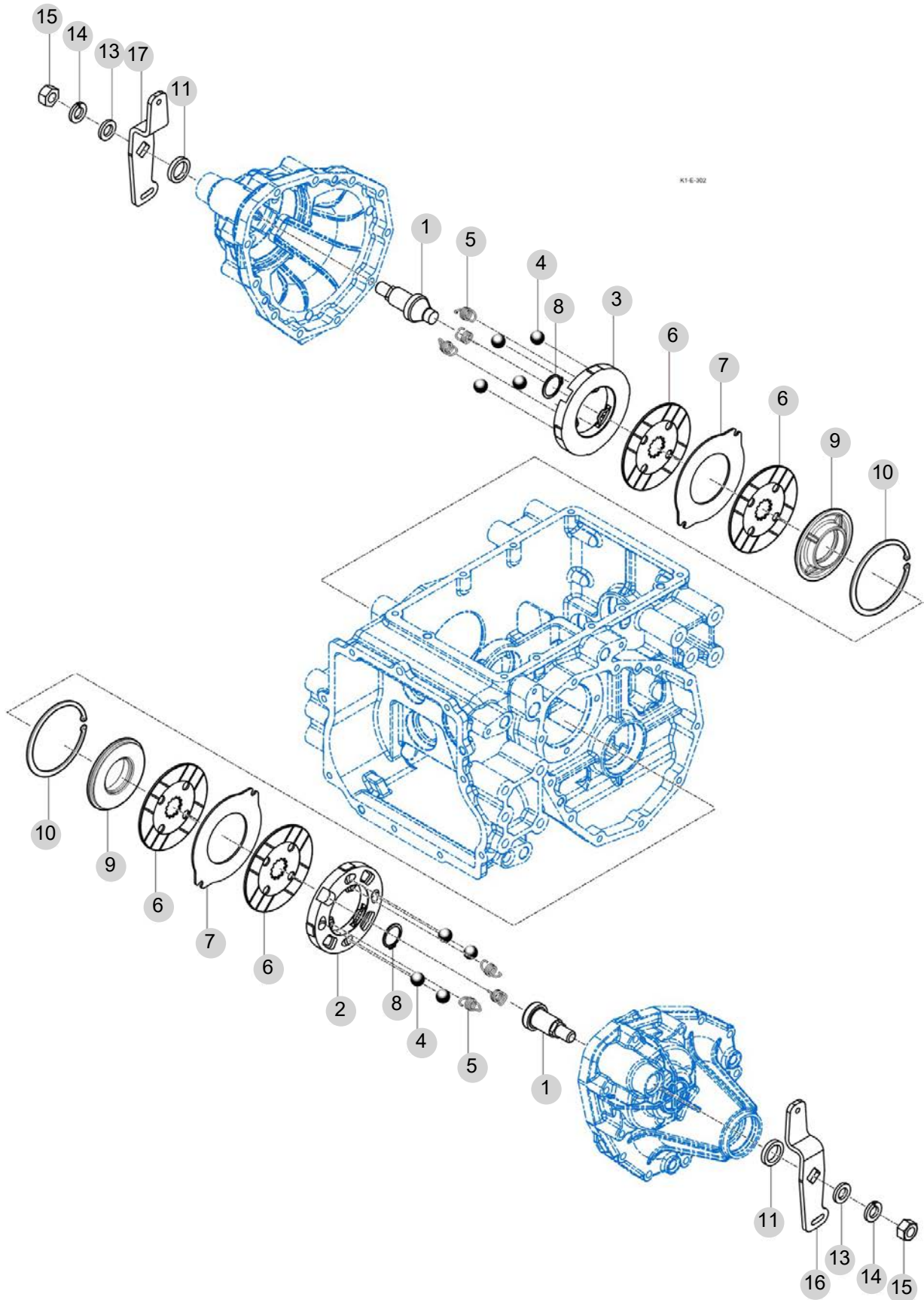
FIG 302

BRAKE

년/월
Year/Month

T255NCEU

2022-12



NOTE

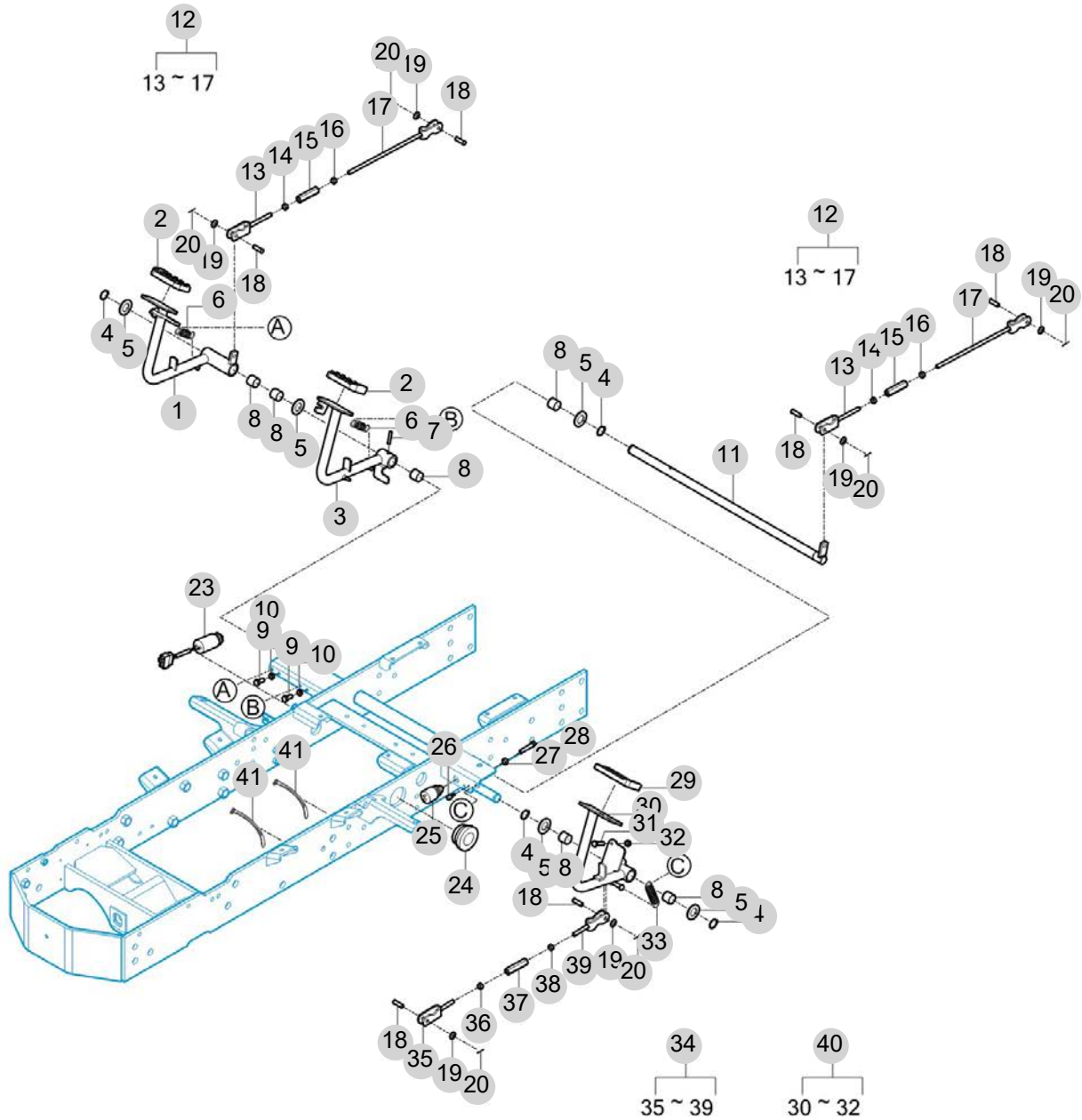
FIG 303

CLUTCH , BRAKE PEDAL & LINKAGE

년/월
Year/Month

2022-12

T255NCEU



NOTE

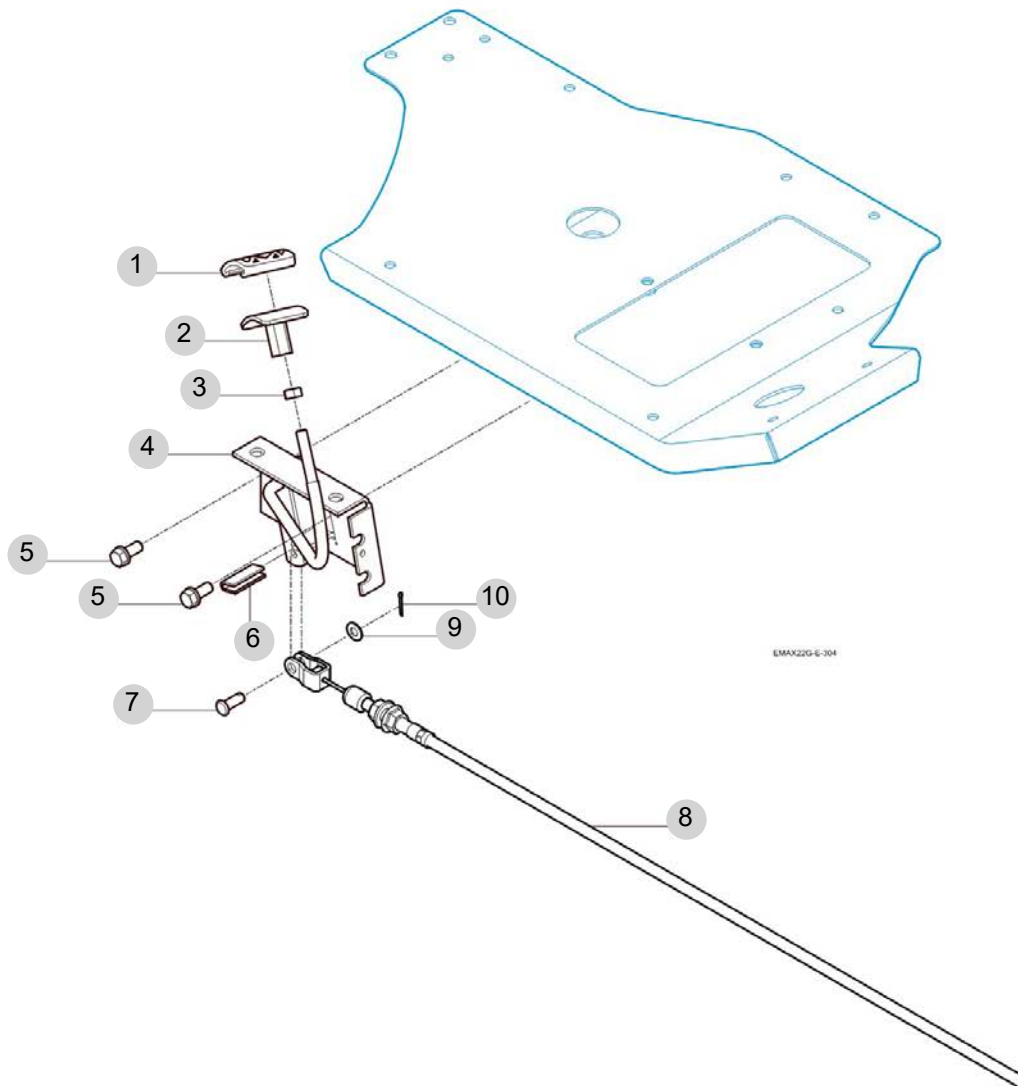
FIG 304

ACCELERATOR PEDAL & CABLE

년/월
Year/Month

2022-12

T255NCEU



NOTE

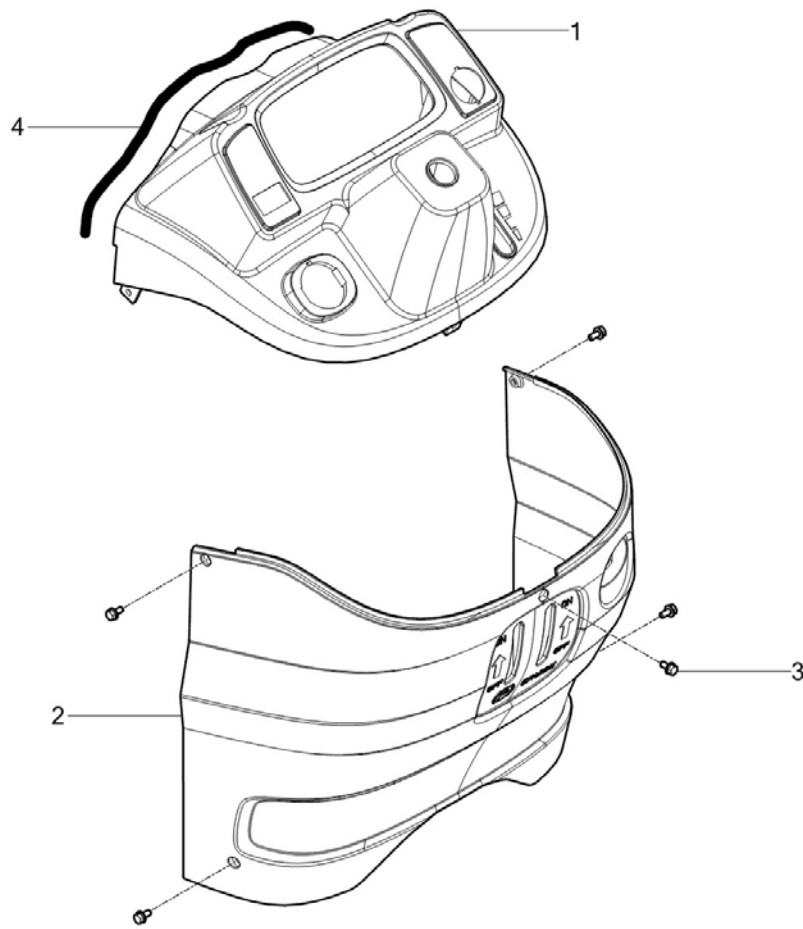
FIG 305

T255NCEU

DASH COVER

년/월
Year/Month

2022-12



NOTE

FIG 305		DASH COVER						년/월 Year/Month	
								2022-12	
T255NCEU									
KEY NO		PART NO	DESCRIPTION	SPEC	QTY	REPAIR	EFFECTIVE DATE	REMARKS	
305	1	11106032112	대시커버, 상		1				
305	2	11106032211	대시커버, 하		1				
305	3	V2123806020	육각볼트(SP)	M6X20	5				
305	4	11116032121	인슐레이터, 대시 커버		1				
NOTE									

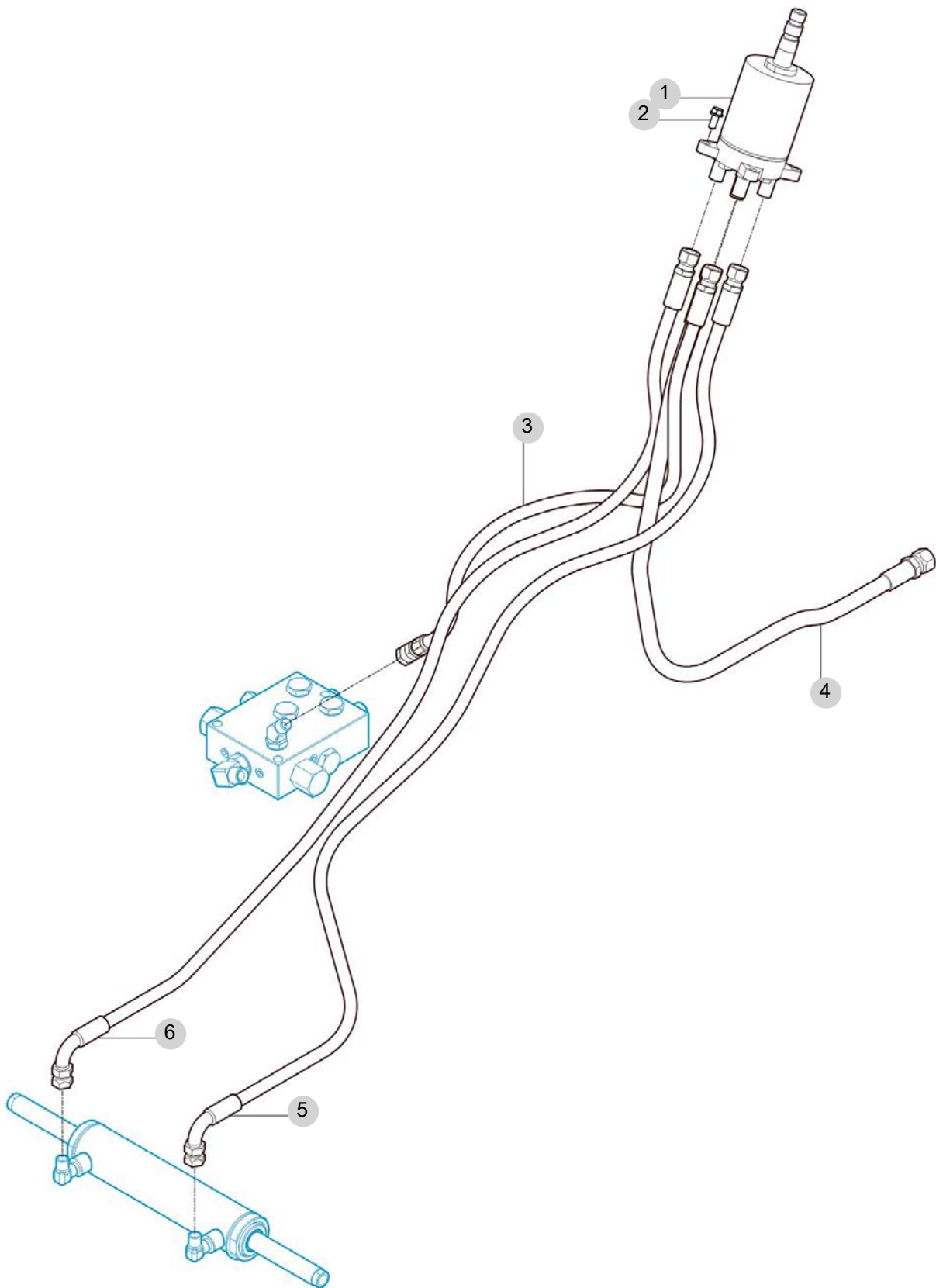
FIG 306

STEERING VALVE

년/월
Year/Month

T255NCEU

2022-12



NOTE

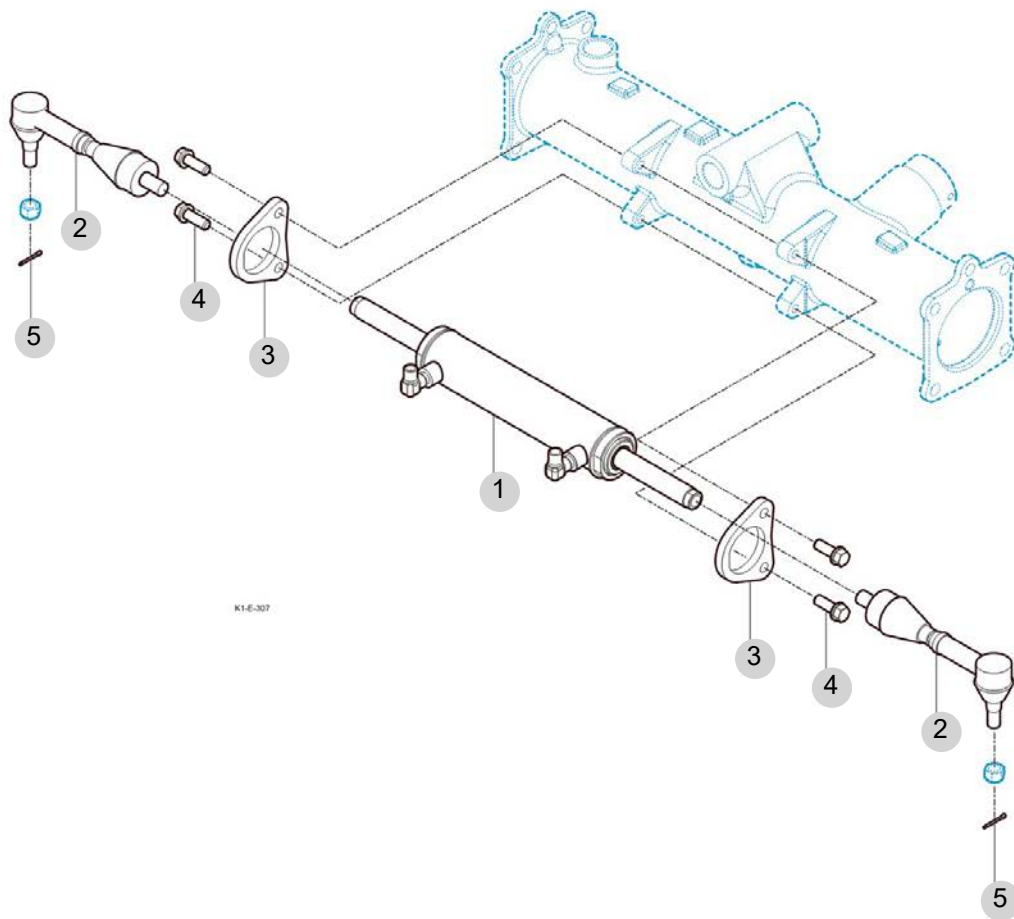
FIG 307

T255NCEU

STEERING CYLINDER

년/월
Year/Month

2022-12



NOTE

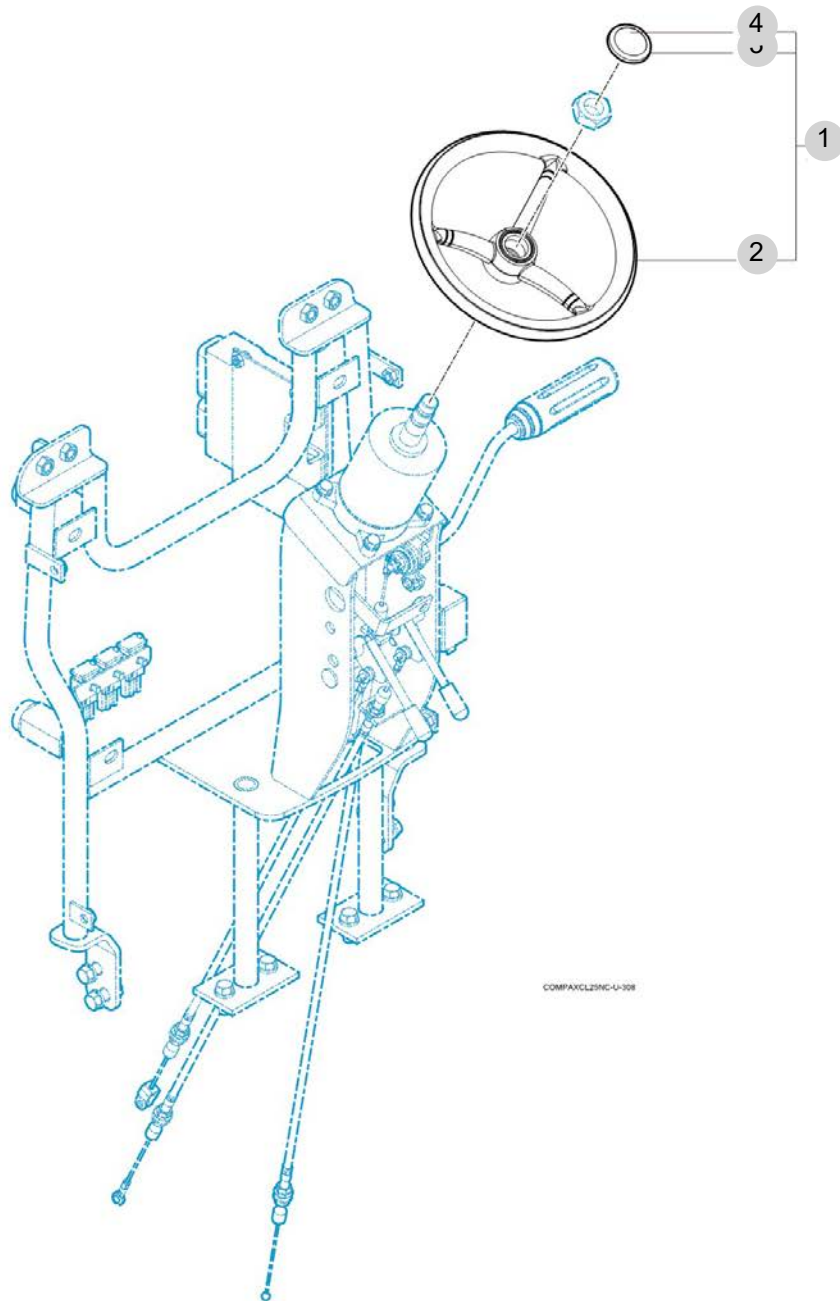
FIG 308

STEERING WHEEL

년/월
Year/Month

T255NCEU

2022-12



COMPAXCL29NC-U-308

NOTE

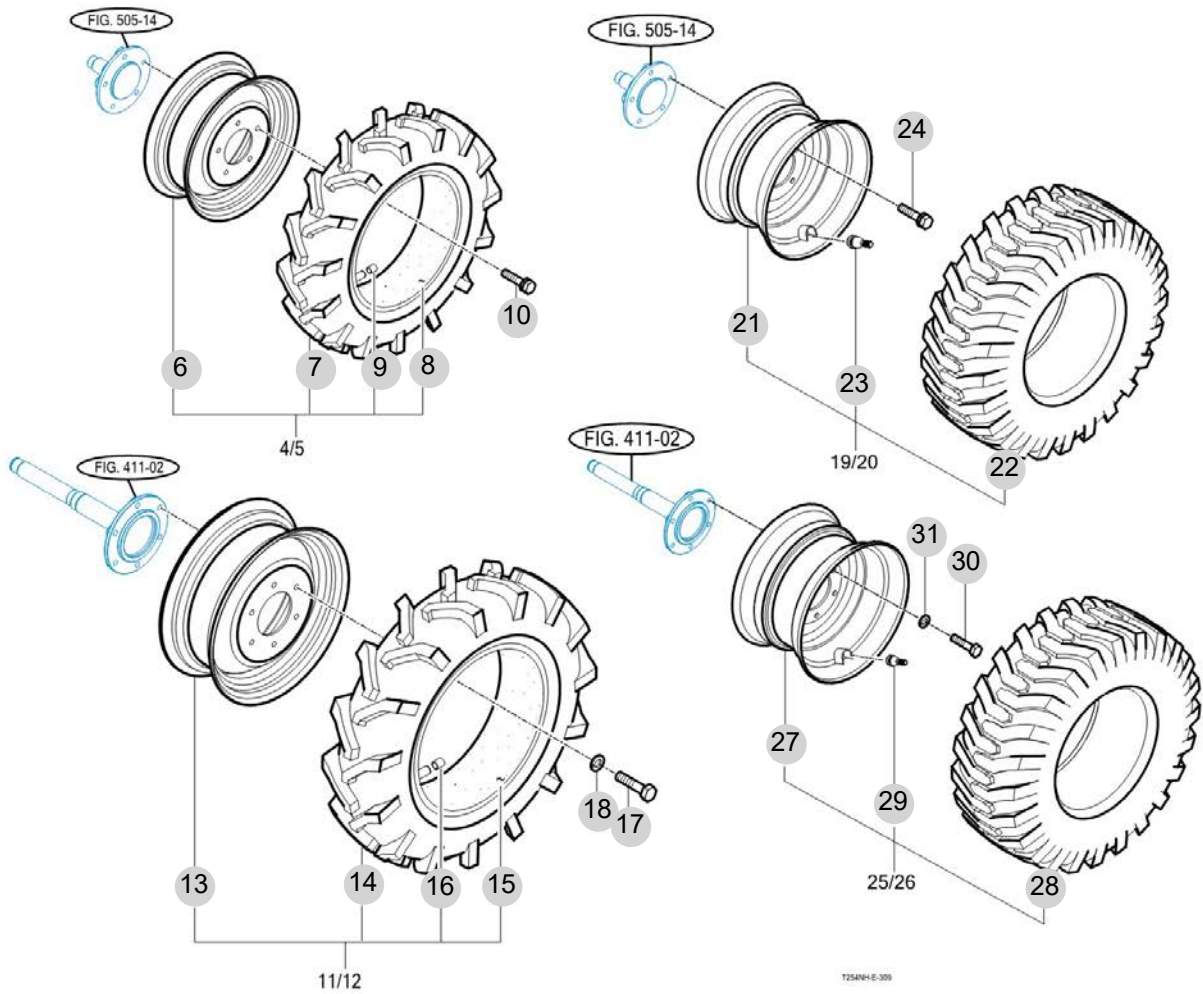
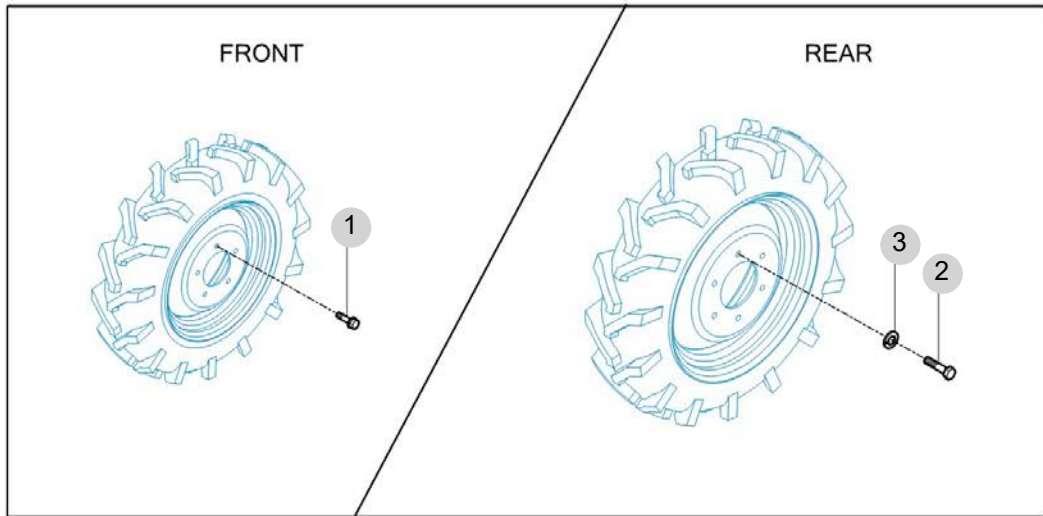
FIG 309

T255NCEU

TIRE

년/월
Year/Month

2022-12



NOTE

FIG 309		TIRE					년/월	
							Year/Month	
T255NCEU							2022-12	

KEY NO	PART NO	DESCRIPTION	SPEC	QTY	REPAIR	EFFECTIVE DATE	REMARKS
309	1	V2173612030	소형육각볼트보통(S)	M12X30	10		
309	2	V2013614030	소형육각볼트(보통)	M14X30	12		
309	3	V4011600140	스프링와셔	M14X30	12		
309	4	10884372000	프런트 타이어(L)(완,R1)		1		
309	5	10884373000	프런트 타이어(R)(완,R1)		1		
309	6	11104412200MS	휠림(4BX12)		2		
309	6	11104412200SR	휠림(4BX12)		1		
309	7	12124372201	타이어(6-12)		2		
309	8	12124372300	튜브(6-12)		2		
309	9	V9993000010	타이어밸브캡		2		
309	10	V2173612030	소형육각볼트보통(S)	M12X30	10		
309	11	10883412000	리어 타이어(L)(완,R1)		1		
309	12	10883413000	리어 타이어(R)(완,R1)		1		
309	13	10884372600MS	휠림(W8-18)ASSY		2		
309	14	14524192111	타이어(9.5-18,8PR,R1)		2		
309	15	14524370010	튜브(9.5-18)		2		
309	16	V9993000010	타이어밸브캡		2		
309	17	V2013614030	소형육각볼트(보통)	M14X30	12		
309	18	V4011600140	스프링와셔	M14	12		
309	19	11104442000	프런트 타이어(L)(완,R4)		1		
309	20	11104443000	프런트 타이어(R)(완,R4)		1		
309	21	11104442200SR	휠림(10X6JA) COMP		2		
309	21	11104442200MS	휠림(10X6JA) COMP		2		
309	22	11104442101	타이어(20X8-10,R4)		2		
309	23	13154179000	타이어 밸브 SUB(413)		2		
309	24	V2173612030	소형육각볼트보통(S)	M12X30	10		
309	25	11103442000	리어 타이어(L)(완,R4)		1		
309	26	11103443000	리어 타이어(R)(완,R4)		1		
309	27	11103442200SR	휠림(15X10J) COMP		2		
309	27	11103442200MS	휠림(15X10J) COMP		2		
309	28	11103442101	타이어(27X12.5-15,R4)		2		
309	29	13154179000	타이어 밸브 SUB(413)		2		
309	30	V2013614030	소형육각볼트(보통)	M14X30	12		
309	31	V4011600140	스프링와셔	M14	12		

NOTE							
------	--	--	--	--	--	--	--

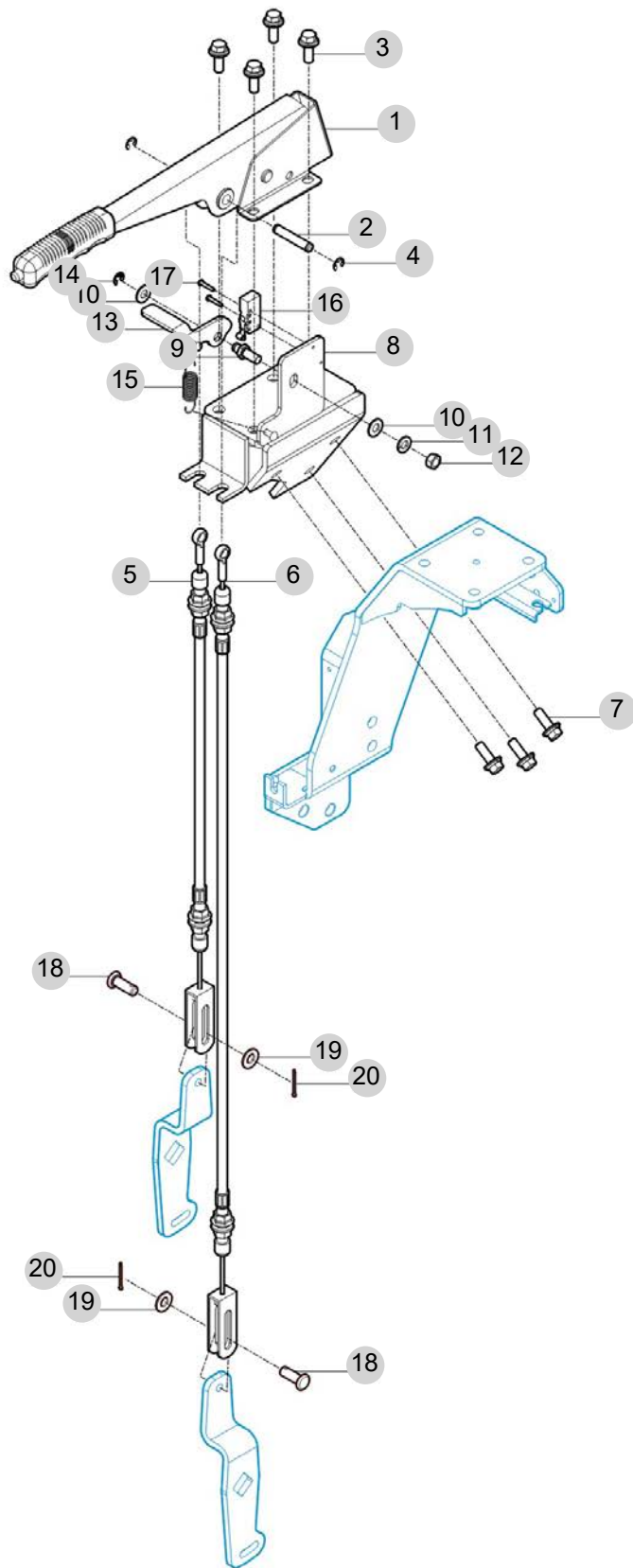
FIG 310

T255NCEU

HAND BRAKE

년/월
Year/Month

2022-12



NOTE

4. 트랜스미션 PART NO. T4

FIG 401 INPUT SHAFT	84
FIG 402 INPUT GEAR	86
FIG 403 MAIN SHIFT GEAR	88
FIG 404 RANGE GEAR	90
FIG 405 4WD DRIVE GEAR	92
FIG 406 P.T.O DRIVE SHAFT	94
FIG 407 P.T.O SHAFT	96
FIG 408 MID P.T.O GEAR	98
FIG 409 DIFF LOCK	100
FIG 410 MID TRANSMISSION CASE	102
FIG 411 REAR TRANSMISSION CASE	104
FIG 412 REAR AXLE HOUSINGS	106
FIG 413 MAIN SHIFT LEVER	108
FIG 414 RANGE SHIFT LEVER	110
FIG 415 P.T.O CHANGE LEVER	112
FIG 416 4WD CHANGE LEVER	114
FIG 417 TRANSMISSION MOUNTING	116

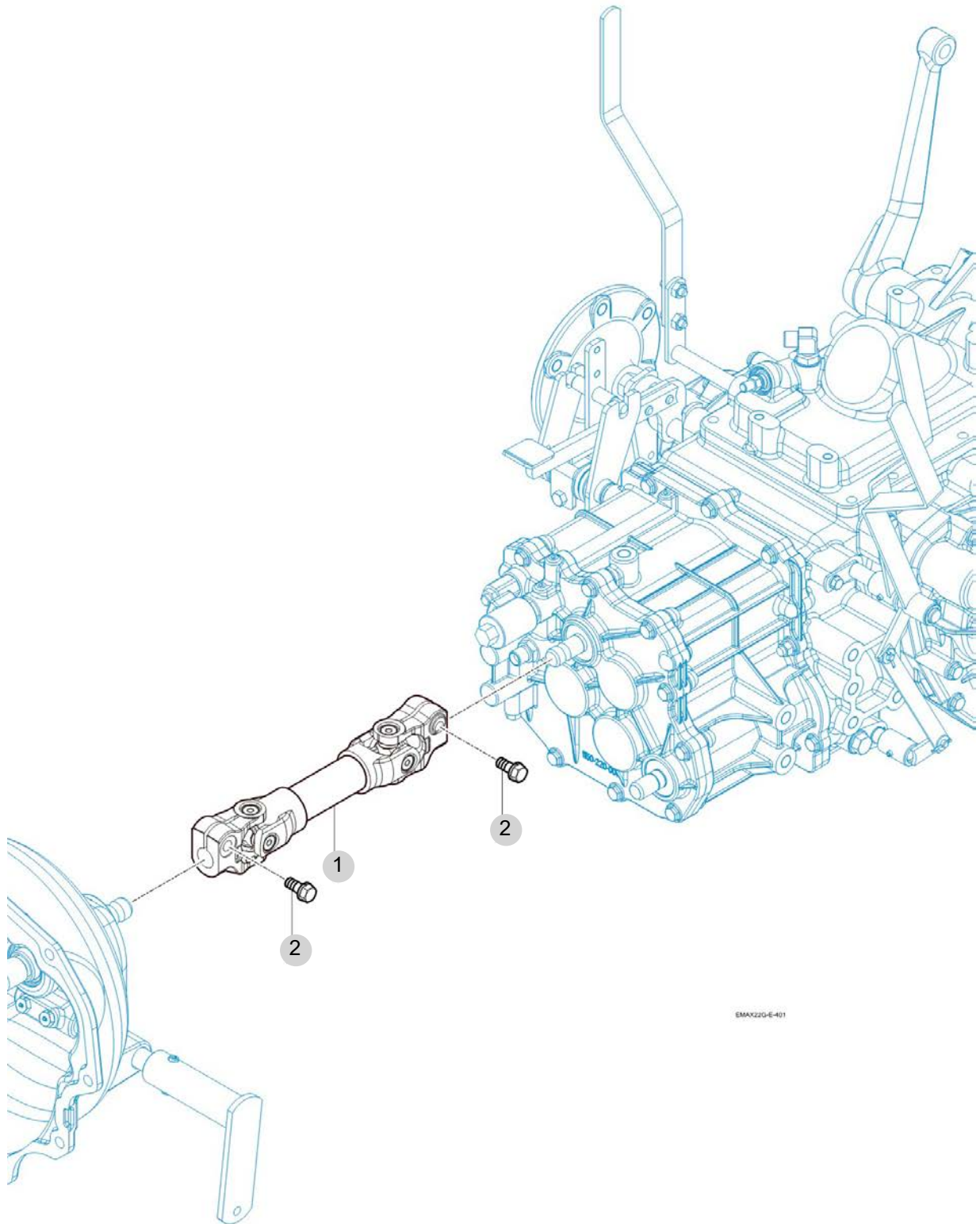
FIG 401

T255NCEU

INPUT SHAFT

년/월
Year/Month

2022-12



EMAX220-E-401

NOTE

FIG 401 T255NCEU	INPUT SHAFT	년/월 Year/Month
		2022-12

KEY NO	PART NO	DESCRIPTION	SPEC	QTY	REPAIR	EFFECTIVE DATE	REMARKS
401	1	11502012001GB	인풋샤프트 ASSY		1		
401	2	V2173608035	소형육각볼트보통(S)	M8X35	2		
NOTE							

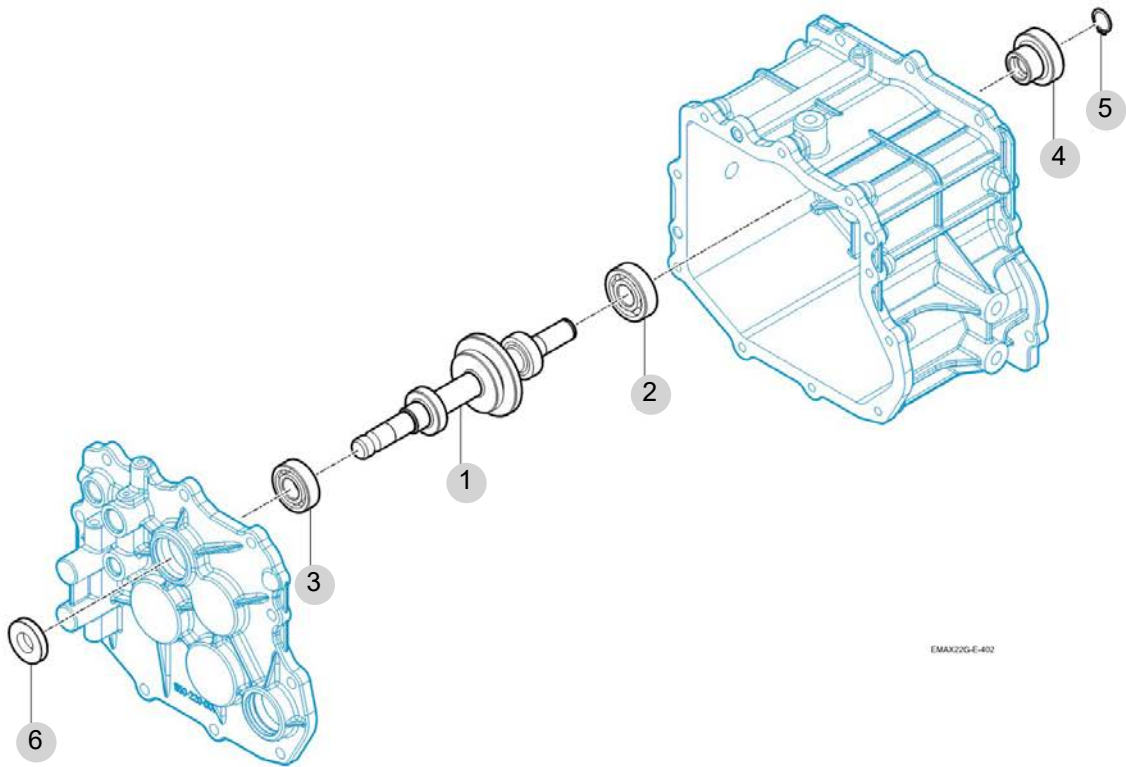
FIG 402

T255NCEU

INPUT GEAR

년/월
Year/Month

2022-12



EMAX226-E-402

NOTE

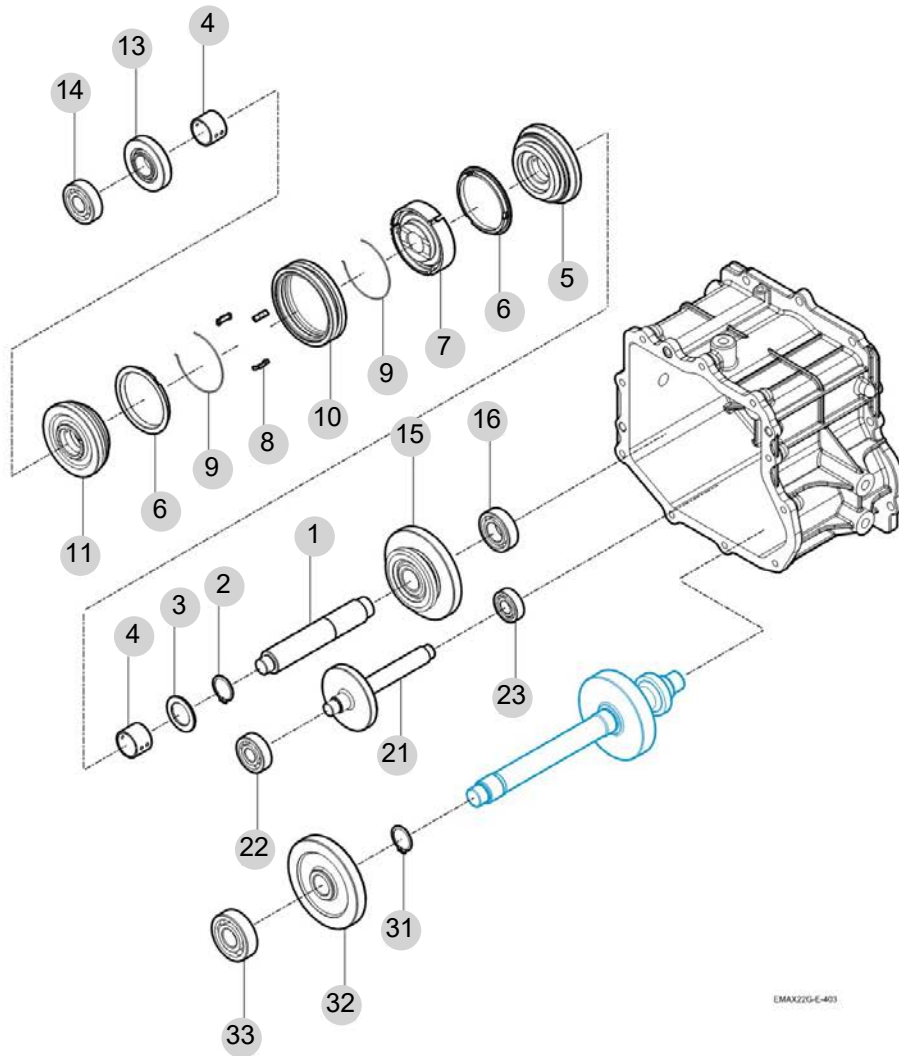
FIG 403

MAIN SHIFT GEAR

년/월
Year/Month

T255NCEU

2022-12



EMAX220-E-403

NOTE

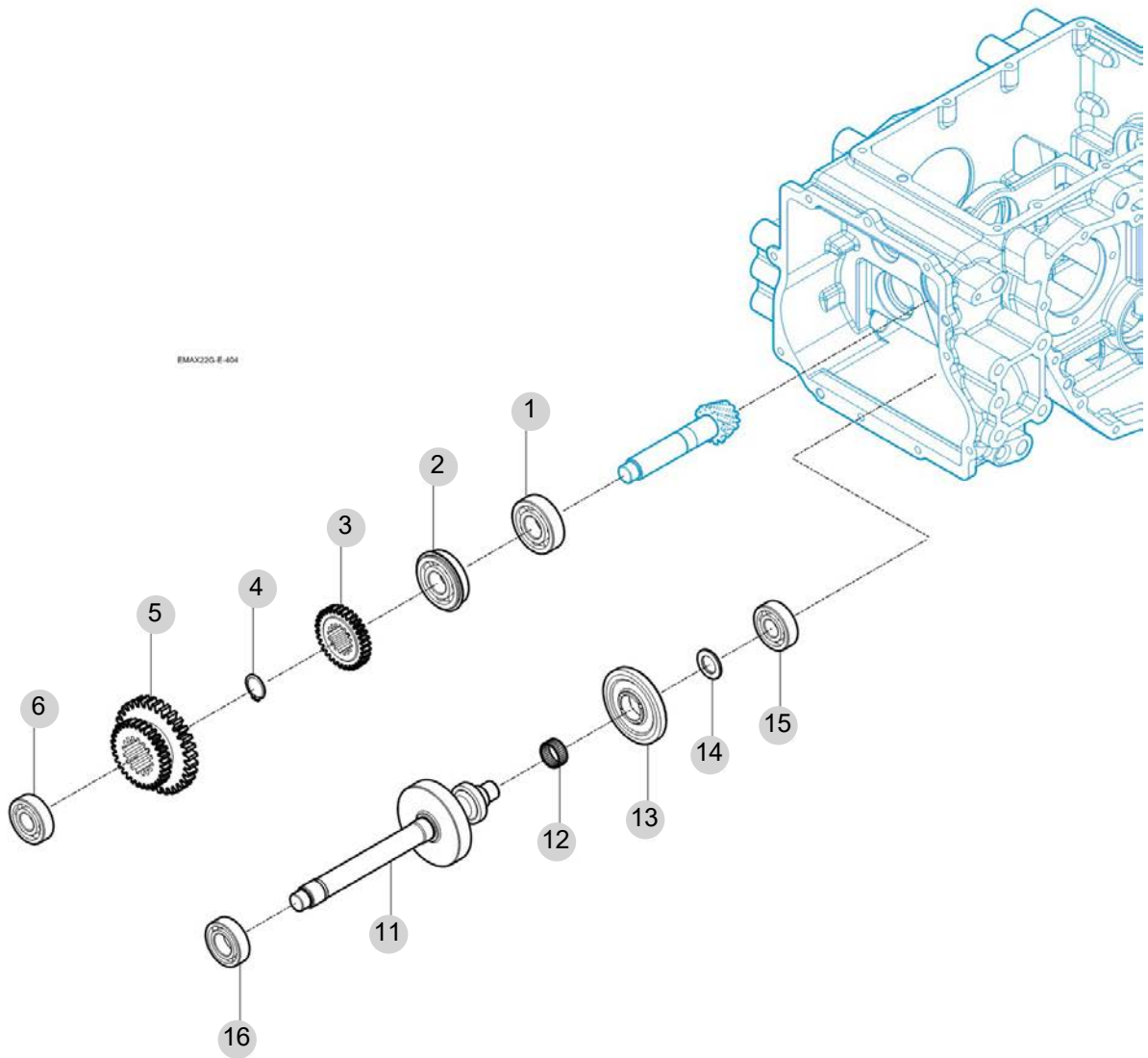
FIG 404

T255NCEU

RANGE GEAR

년/월
Year/Month

2022-12



NOTE

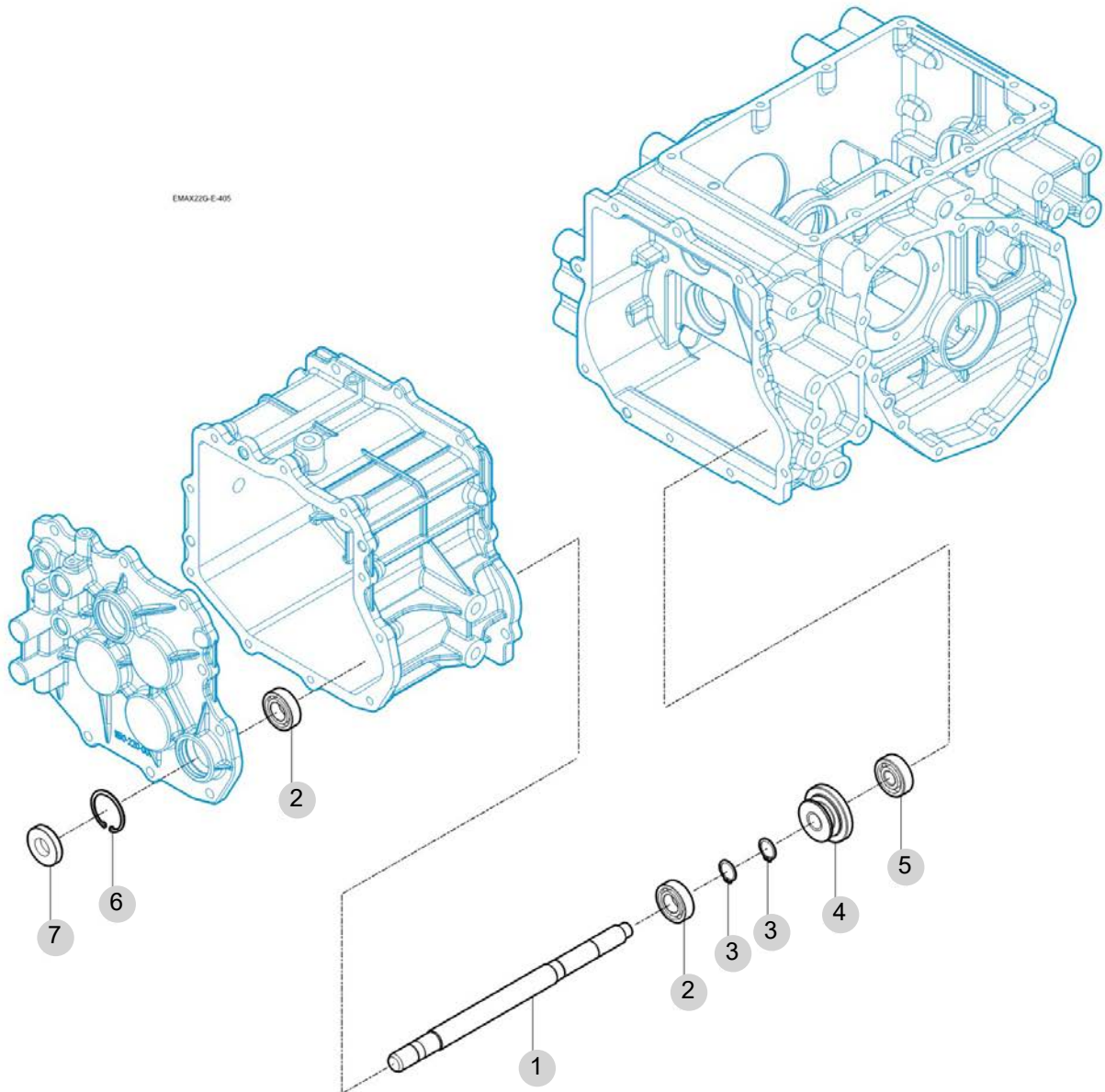
FIG 405

4WD DRIVE GEAR

년/월
Year/Month

T255NCEU

2022-12



NOTE

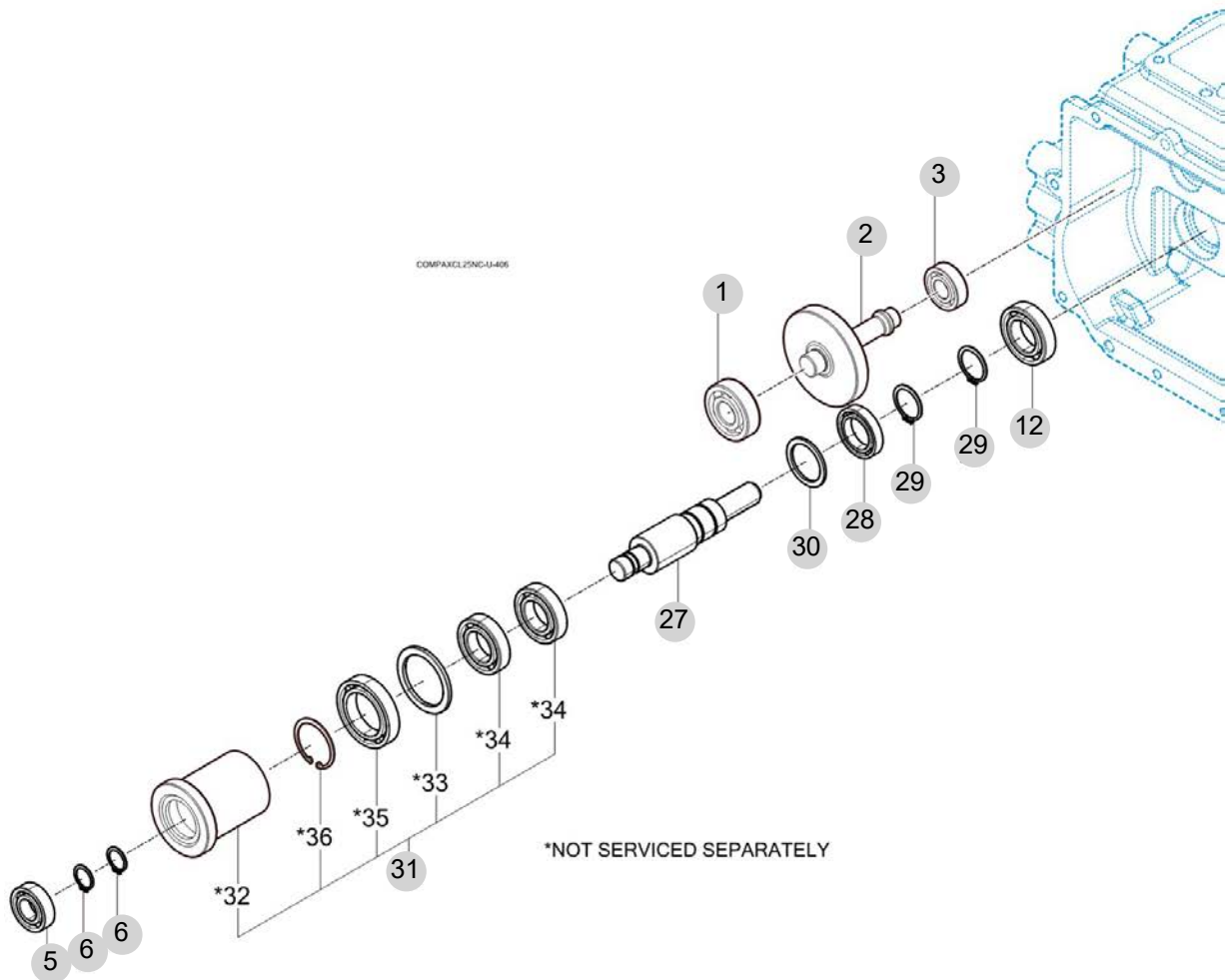
FIG 406

T255NCEU

P.T.O DRIVE SHAFT

년/월
Year/Month

2022-12



NOTE

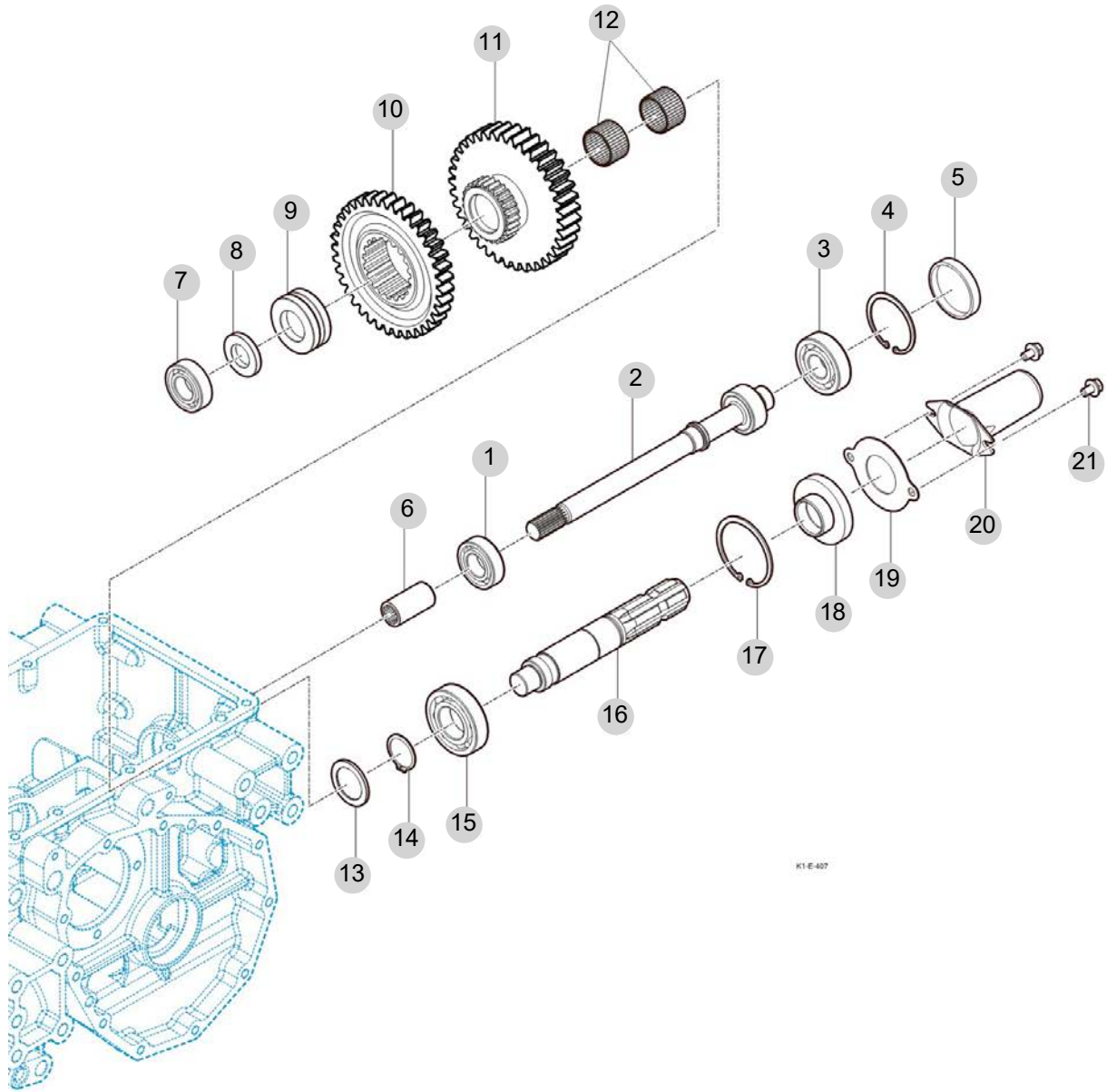
FIG 407

T255NCEU

P.T.O SHAFT

년/월
Year/Month

2022-12



NOTE

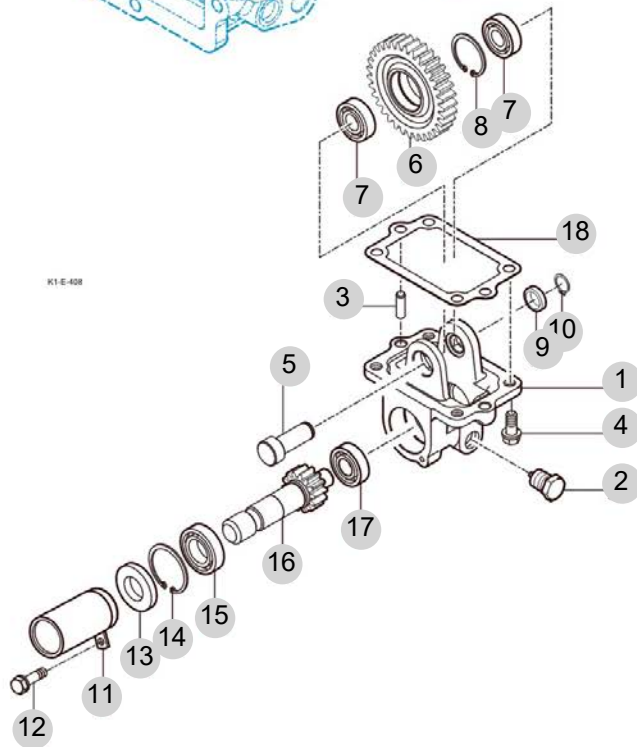
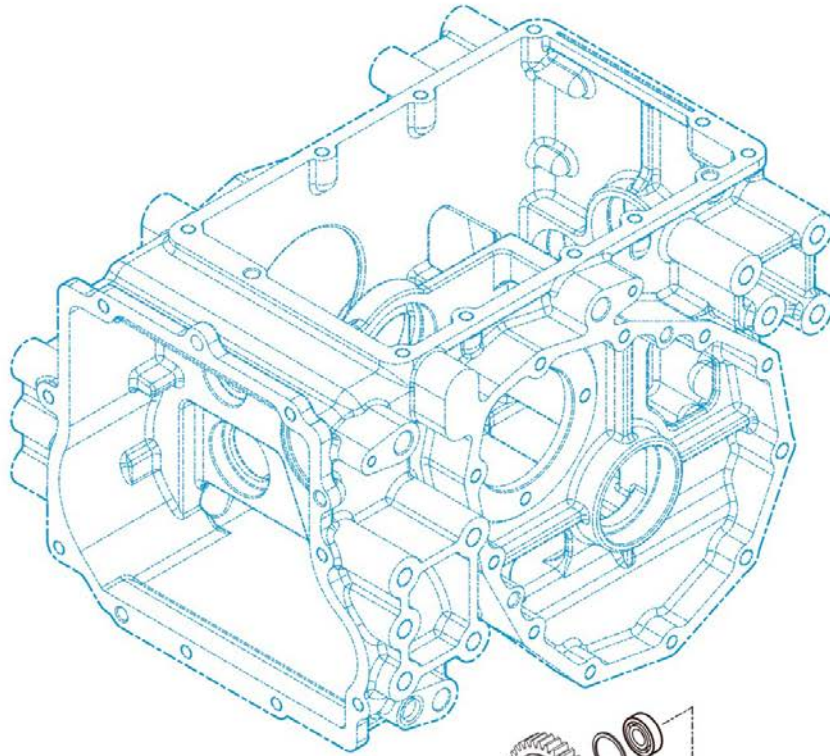
FIG 408

T255NCEU

MID P.T.O GEAR

년/월
Year/Month

2022-12



K1-E-408

NOTE

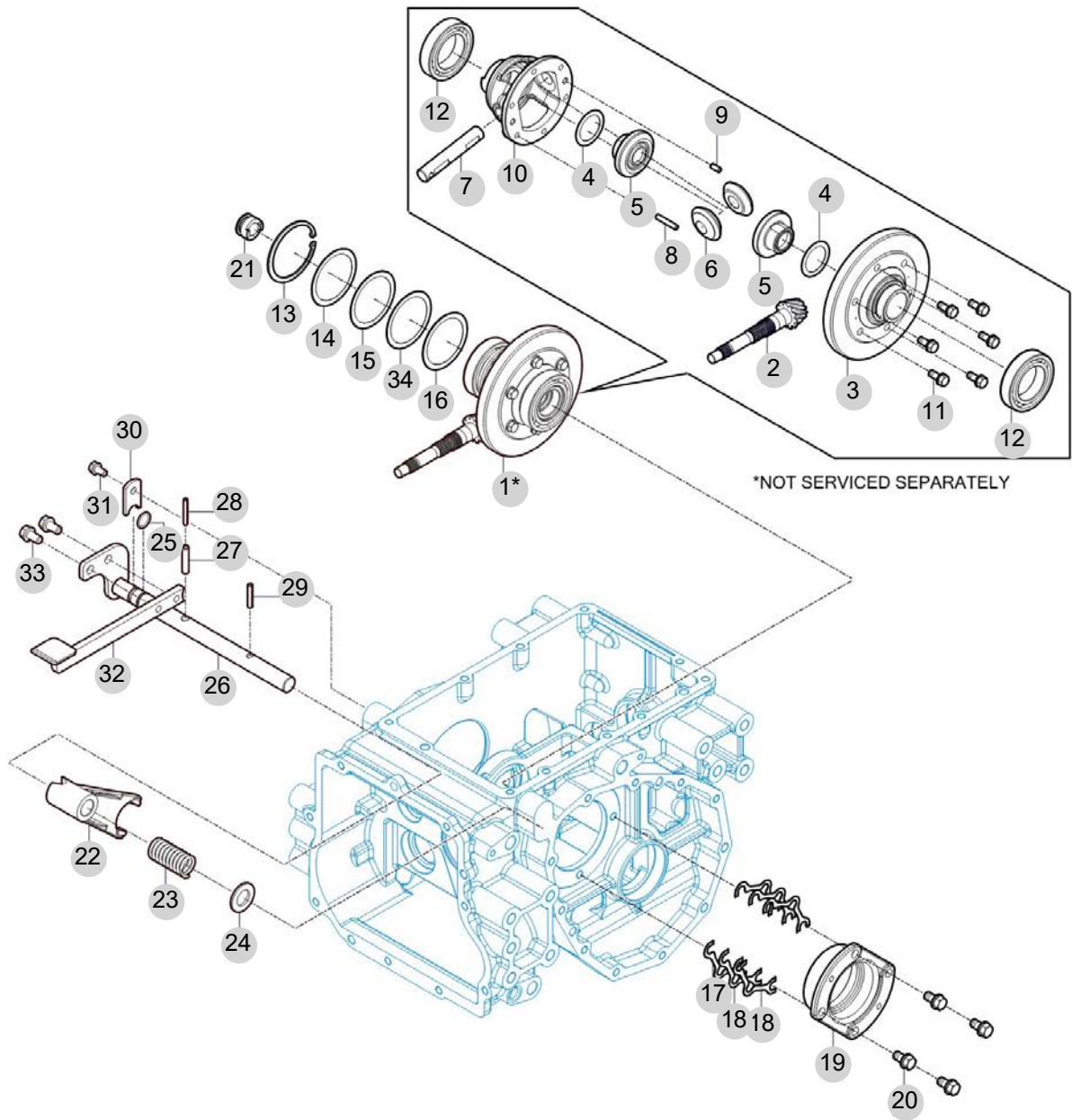
FIG 409

DIFF LOCK

년/월
Year/Month

T255NCEU

2022-12



NOTE

FIG 409 T255NCEU	DIFF LOCK	년/월 Year/Month 2022-12
--------------------------------	------------------	----------------------------------

KEY NO	PART NO	DESCRIPTION	SPEC	QTY	REPAIR	EFFECTIVE DATE	REMARKS
409	1	11503002000	리어 차동장치 ASSY		1		
409	2	11503002110	드라이브 피니언(8)		1		
409	3	11103002120	기어(베벨/49)		1		
409	4	13153180080	스러스트 와셔(34X46X1)	T=1.0	2		
409	5	11103180030	디프 기어(20)		2		
409	6	11103180040	디프 피니언(15)		2		
409	7	11103180070	디프 피니언 샤프트		1		
409	8	V5201006032	평행핀(A)	6X32(A)	1		
409	9	V5201006012	평행핀(A)	6X12(A)	1		
409	10	11103180010M	디프 케이스		1		
409	11	V2173608020	소형육각볼트보통(S)	M8X20	6		
409	12	V6001106009	볼베어링	6009	2		
409	13	V7051400750	C형멈춤링(구멍용)	75	1		
409	14	16703180511	심(O/0.5)	T=0.5	1		
409	15	16703180171	심(RH/0.2)	T=0.2	1		
409	16	16703180181	심(RH/0.1)	T=0.1	1		
409	17	13153181020	심(LH/0.1)	T=0.1	2		
409	18	13153181030	심(LH/0.2)	T=0.2	4		
409	19	13153181010M	디프 케이스 메탈		1		
409	20	V2173610025	소형육각볼트보통(S)	M10X25	4		
409	21	11103190020	디프록 클러치		1		
409	22	11103190010M	포크(디프록)		1		
409	23	17973030420	스프링	4.0	1		
409	24	V4111600200	평와셔	M20	1		
409	25	V7201024016	O링(P)	1A, P16	1		
409	26	11503192100	디프록 샤프트 COMP		1		
409	27	V5801408036	스프링핀	8X36	1		
409	28	V5801405036	스프링핀	5X36	1		
409	29	V5801406032	스프링핀	6X32	1		
409	30	16703180191	플레이트		1		
409	31	V2173608016	소형육각볼트보통(S)	M8X16	1		
409	32	15993162000	페달(디프록)COMP		1		
409	33	V2173610020	소형육각볼트보통(S)	M10X20	2		
409	34	11103180190	심(75)		1		

NOTE	
-------------	--

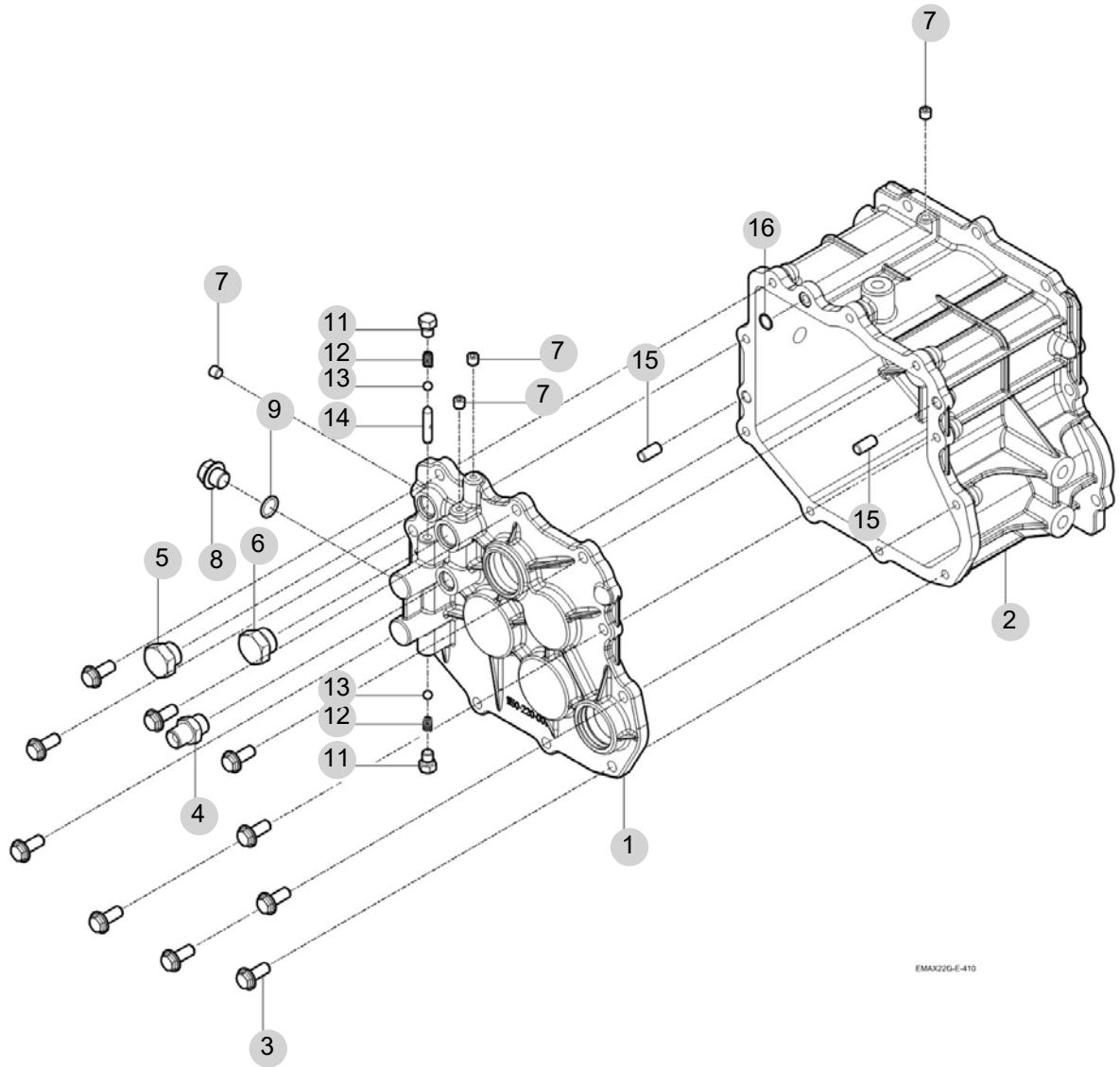
FIG 410

T255NCEU

MID TRANSMISSION CASE

년/월
Year/Month

2022-12



EMAX220-E-410

NOTE

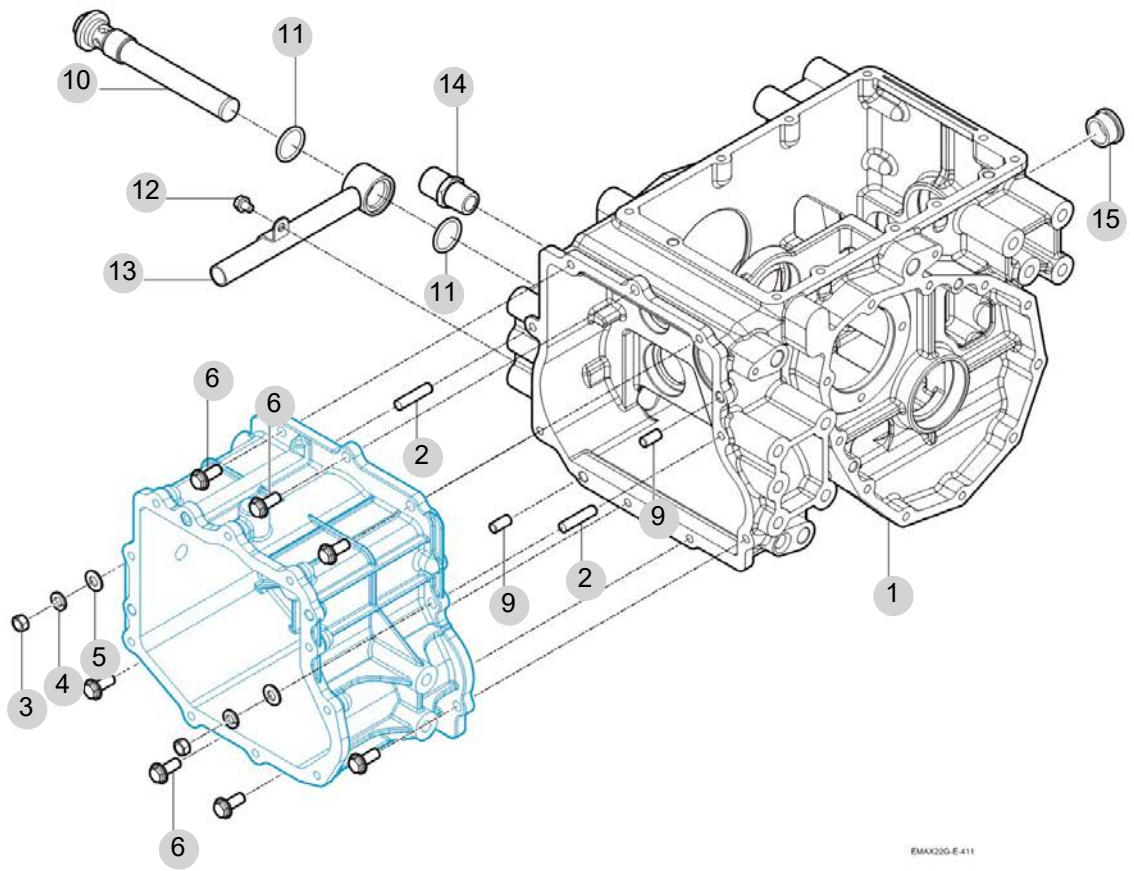
FIG 411

T255NCEU

REAR TRANSMISSION CASE

년/월
Year/Month

2022-12



EMAX205-E-411

NOTE

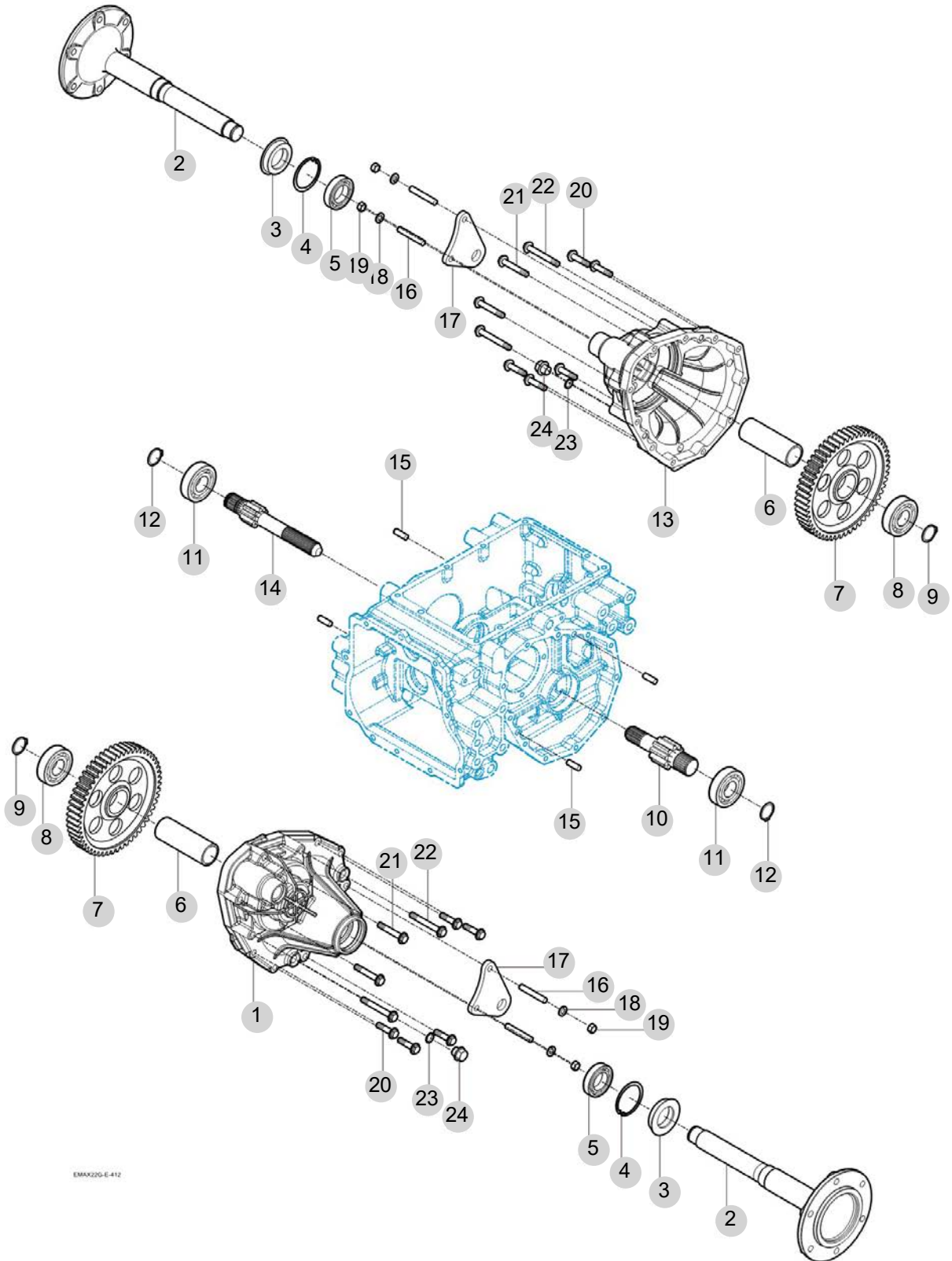
FIG 412

REAR AXLE HOUSINGS

년/월
Year/Month

2022-12

T255NCEU



EMAX226-E-412

NOTE

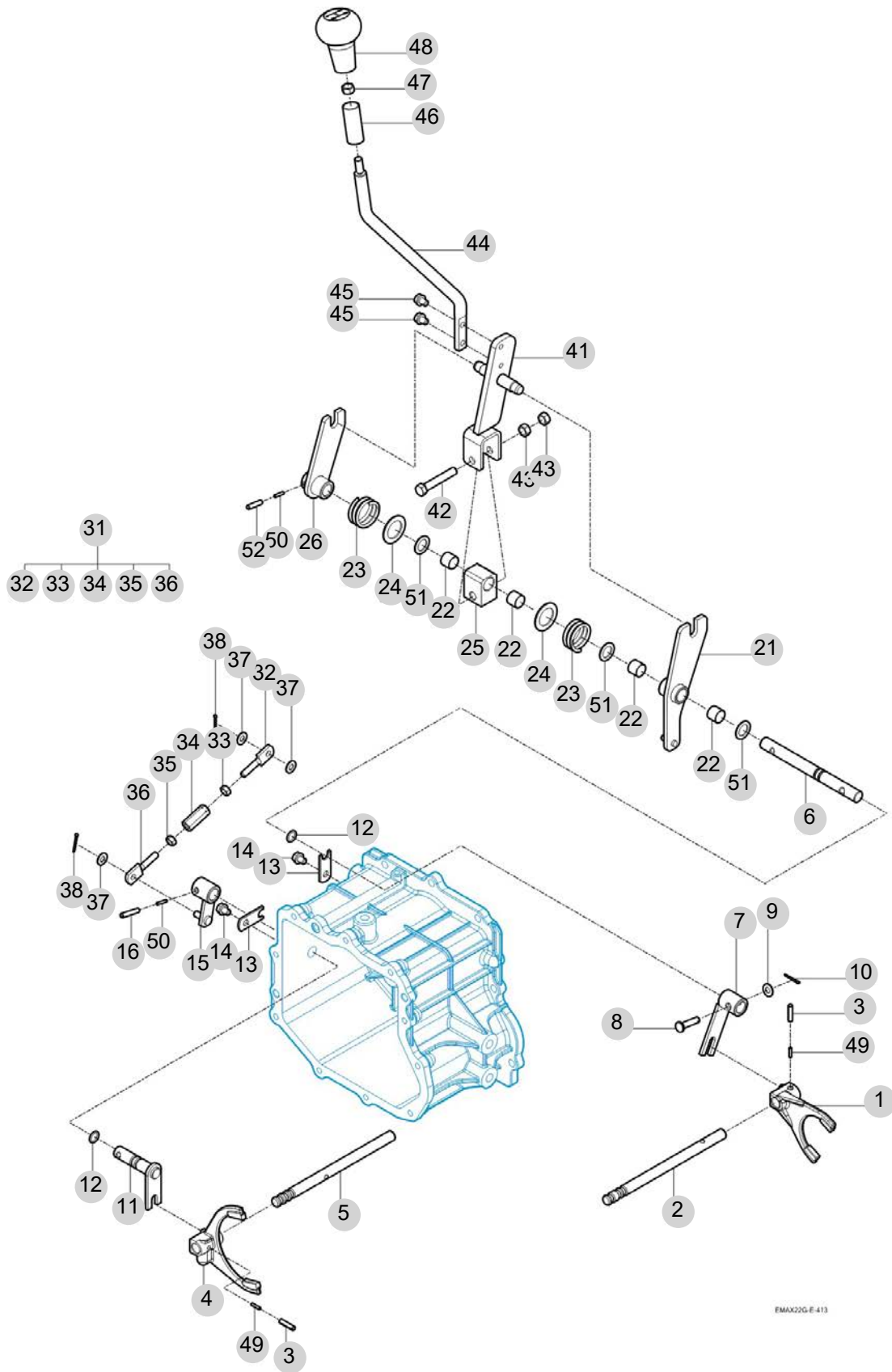
FIG 413

T255NCEU

MAIN SHIFT LEVER

년/월
Year/Month

2022-12



EMAX22G-E-413

NOTE

FIG 413		MAIN SHIFT LEVER					년/월 Year/Month	
T255NCEU		2022-12						
KEY NO	PART NO	DESCRIPTION	SPEC	QTY	REPAIR	EFFECTIVE DATE	REMARKS	
413	1	11502350010M	주변속 포크(1-3)					
413	2	11502350031	주변속 스테이(1-3)					
413	3	V5801406025	스프링핀	6X25	2			
413	4	11502350020M	주변속 포크(2-R)					
413	5	11502350041	주변속 스테이(2-R)					
413	6	11502350051	샤프트(레버)					
413	7	11502352100	주변속 후크 COMP , 1-3					
413	8	11502350060	핀(8X29)					
413	9	V4111600080	평와셔	M8	1			
413	10	V5001925020	핀	2.5X20	1			
413	11	11502353100	주변속 후크 COMP , 2-R					
413	12	V7201024012	O링(P)	1A , P12	2			
413	13	16702230371	플레이트		2			
413	14	V2173608012	소형육각볼트보통(S)	M8X12	2			
413	15	11502353200	주변속 암 COMP(2-R)					
413	16	V5801406032	스프링핀	6X32	1			
413	21	11502353300	주변속 링크 COMP(2-R)					
413	22	15603142910	부시(16X18X15)		4			
413	23	11502350090	스프링(HC20)		2			
413	24	15642750070	와셔(27X40X02)		2			
413	25	11502350120	주변속 허브					
413	26	11502352301	주변속 링크 COMP(1-3)					
413	31	11502355000	주변속 로드 ASSY					
413	32	11502355100	로드 COMP(LH)					
413	33	15601320073	육각너트(SM,LH,M8)	M8 , LH	1			
413	34	11502355010	턴버클(M8/L38)					
413	35	V3042600080	소형육각너트보통2종	M8	1			
413	36	11502355200	로드 COMP(RH)					
413	37	V4111600080	평와셔	M8	3			
413	38	V5001925020	핀	2.5X20	2			
413	41	11502354202	주변속 레버 COMP					
413	42	V2013610060	소형육각볼트(보통)	M10X60	1			
413	43	V3042600100	소형육각너트보통2종	M10	2			
413	44	11502360010GB	주변속 레버					
413	45	V2173608020	소형육각볼트보통(S)	M8X20	2			
413	46	11503160030	튜브(스트레이트,150)					
413	47	V3342600100	소형육각너트가는2종	M10	1			
413	48	11502442400	주변속 그립 COMP					
413	49	11502350140	스프링핀		2			
413	50	11502350150	스프링핀		2			
413	51	11502350110	와셔		3			
413	52	V5801406032	스프링핀	6X32	1			
NOTE								

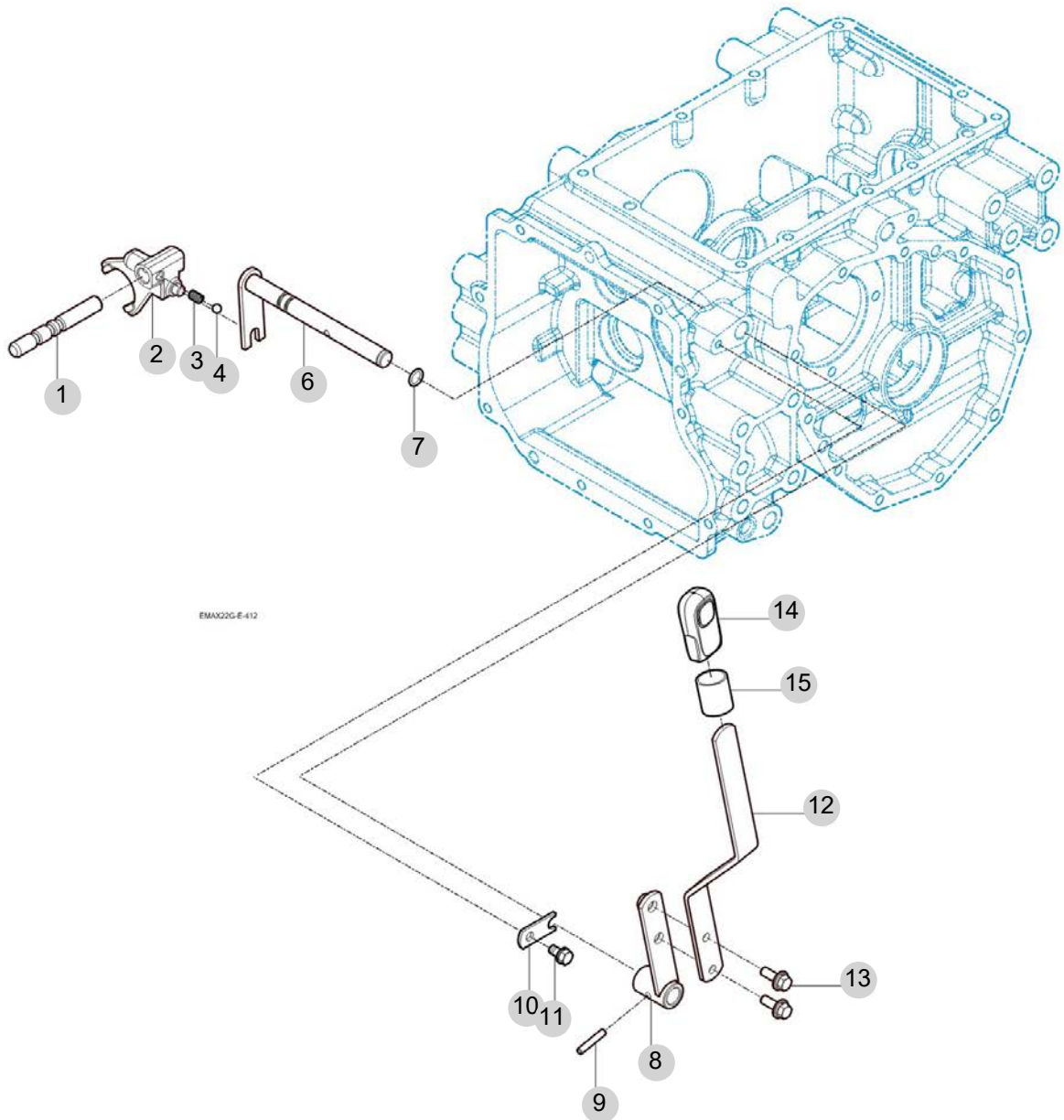
FIG 414

RANGE SHIFT LEVER

년/월
Year/Month

2022-12

T255NCEU



NOTE

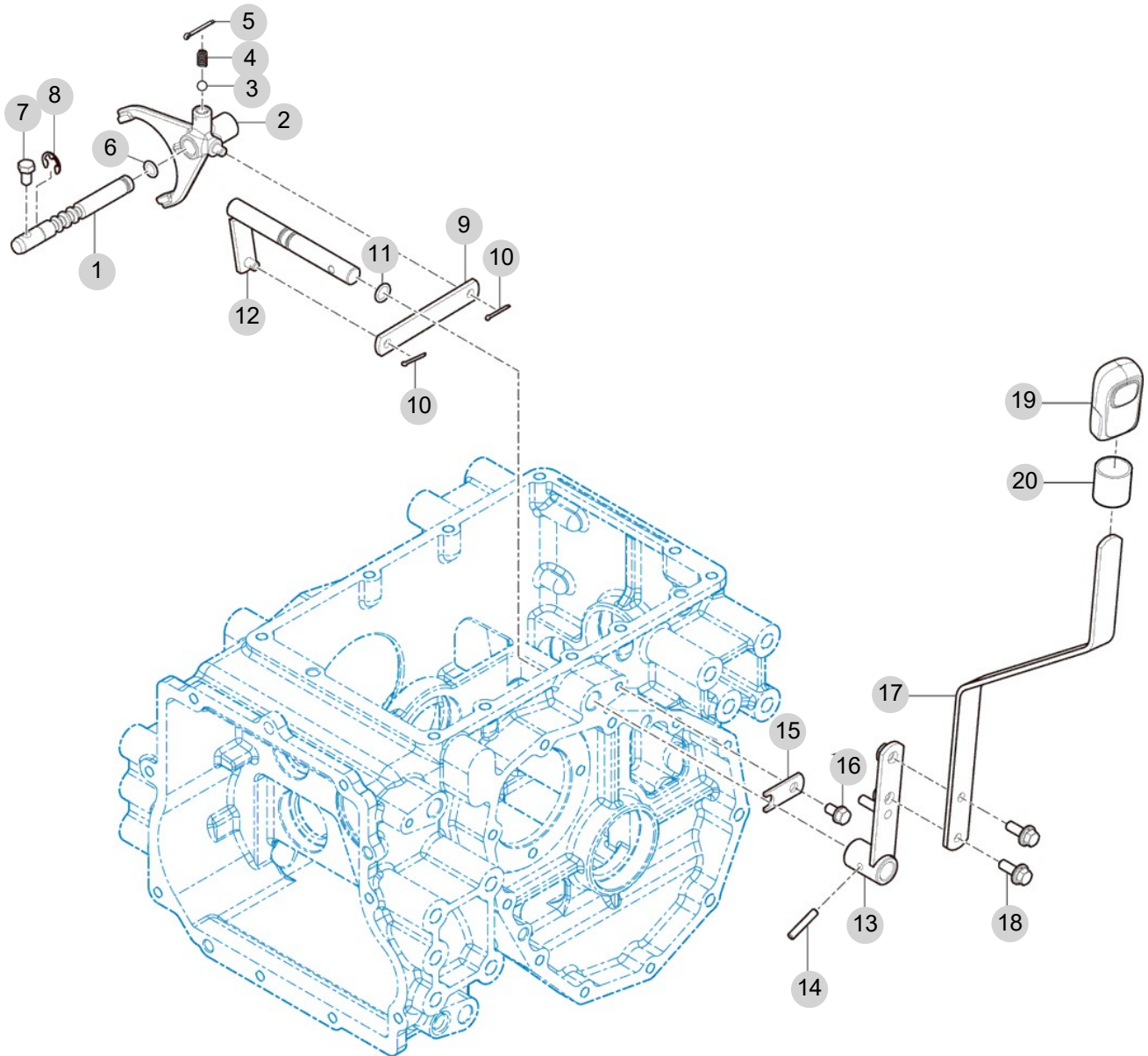
FIG 415

P.T.O CHANGE LEVER

년/월
Year/Month

2022-12

T255NCEU



NOTE

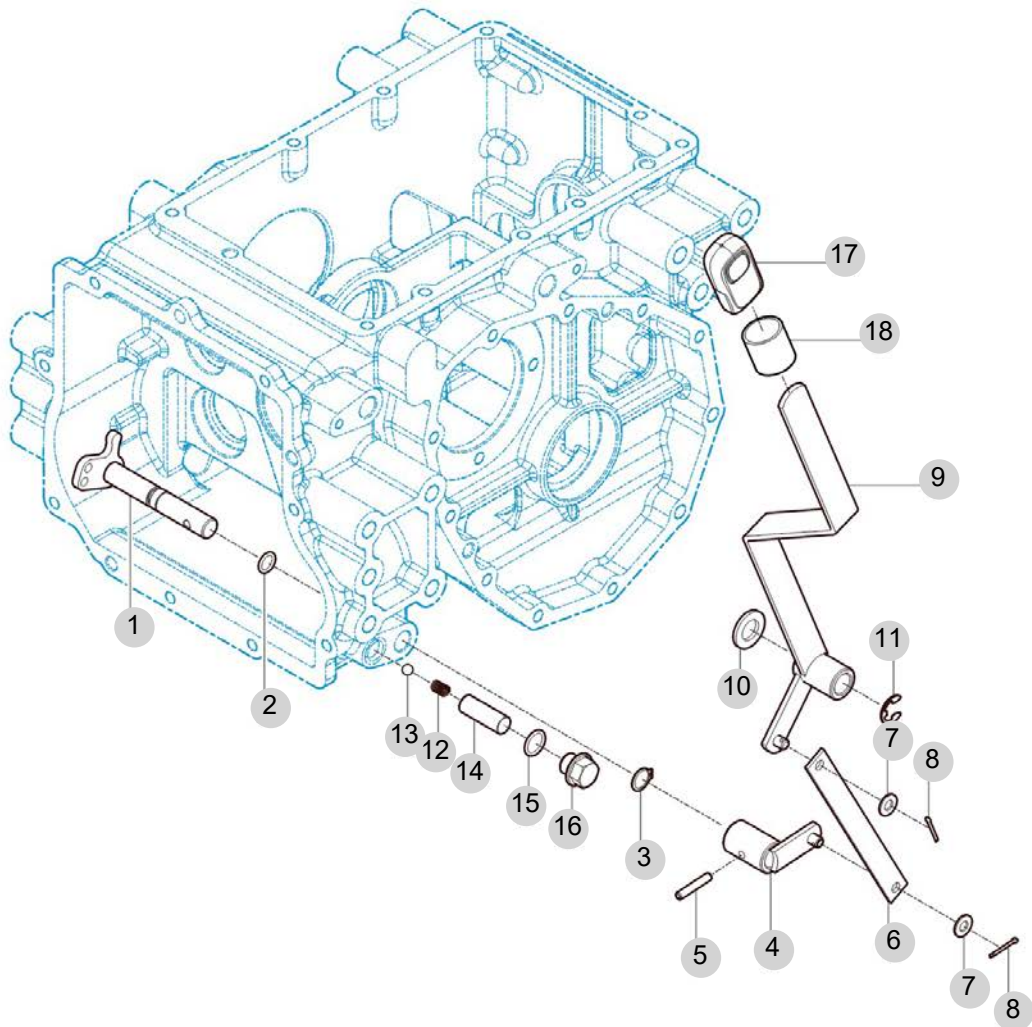
FIG 416

4WD CHANGE LEVER

년/월
Year/Month

2022-12

T255NCEU



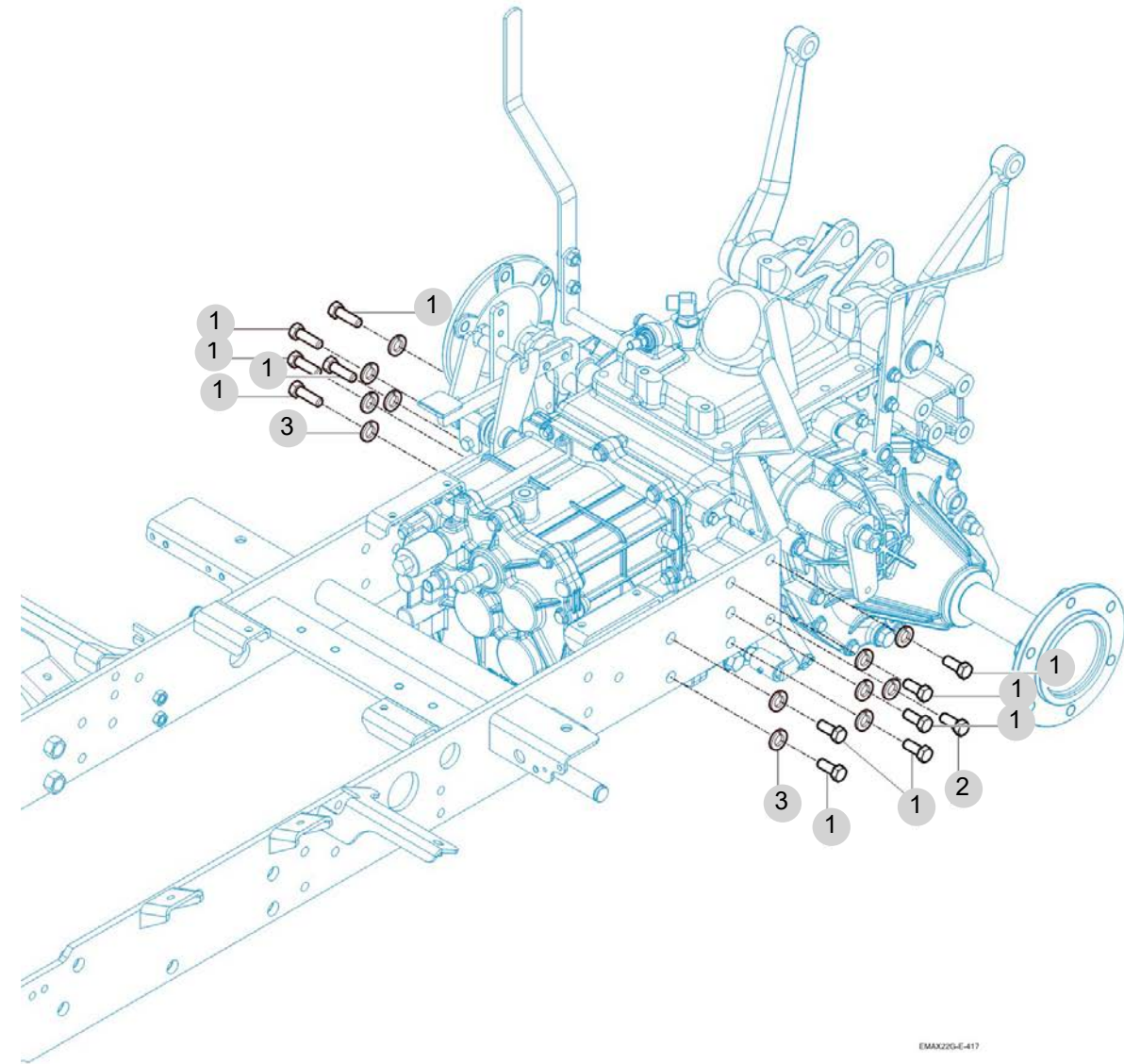
NOTE

FIG 417

TRANSMISSION MOUNTING

년/월
Year/Month

2022-12



EMAX220-E-417

NOTE

5. 프런트 액슬 PART NO. T5

FIG 501 FRONT DRIVE SHAFT	119
FIG 502 FRONT DIFFERENTIAL GEAR	121
FIG 503 FRONT AXLE HOUSING	123
FIG 504 FRONT GEAR CASE (1)	125
FIG 505 FRONT GEAR CASE (2)	127

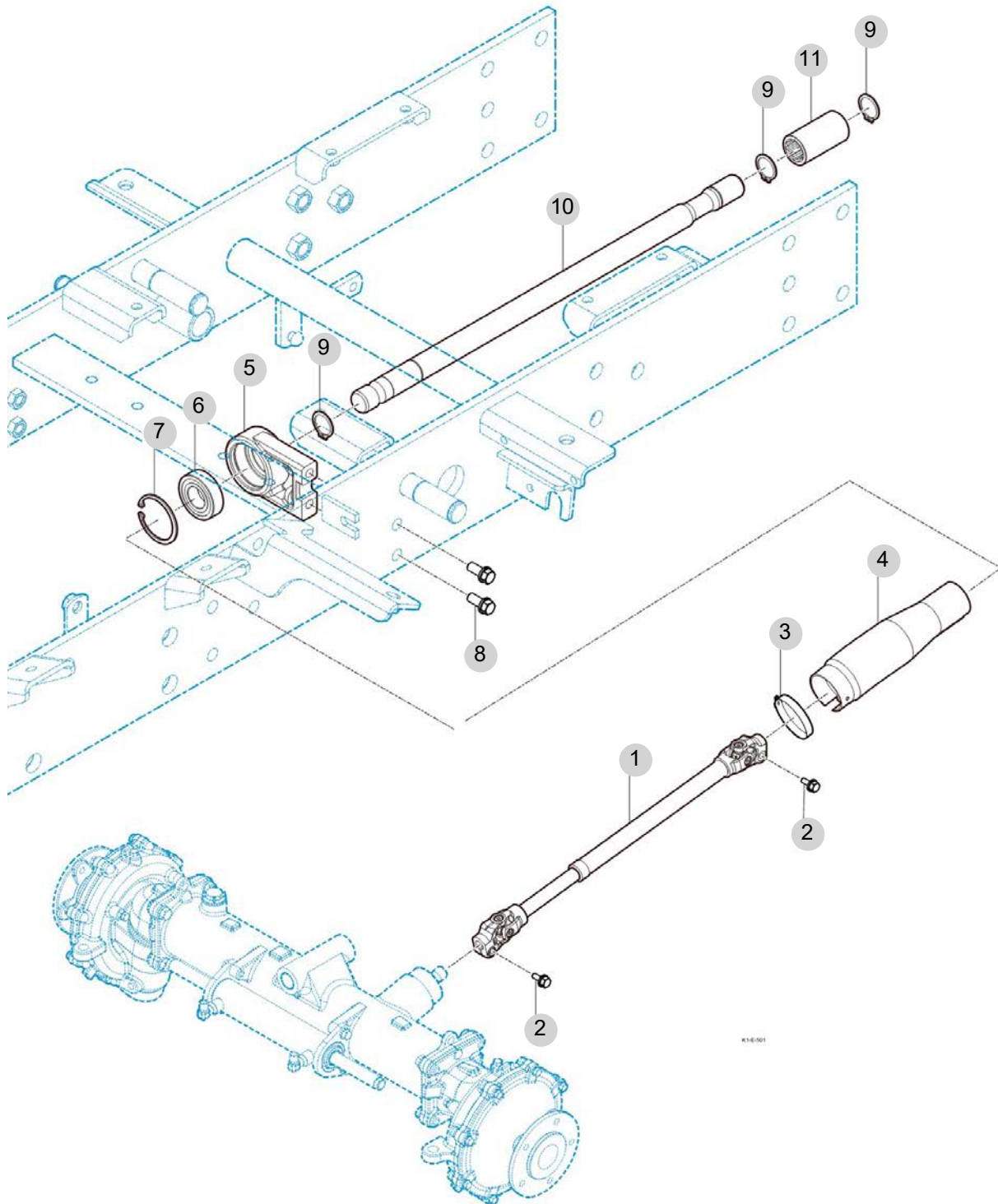
FIG 501

FRONT DRIVE SHAFT

년/월
Year/Month

T255NCEU

2022-12



NOTE

FIG 501		FRONT DRIVE SHAFT					년/월 Year/Month	
T255NCEU		2022-12						
KEY NO		PART NO	DESCRIPTION	SPEC	QTY	REPAIR	EFFECTIVE DATE	REMARKS
501	1	11104102001GB	4WD 샤프트 ASSY		1			
501	2	V2173608035	소형육각볼트보통(S)	M8X35	2			
501	3	14885050150	밴드 클램프 75		1			
501	3	18027090800	밴드 클램프 80 홈식		1			
501	4	11104200010	4WD 커버		1			
501	5	11104101010M	4WD 써포트		1			
501	6	V6001306004	볼베어링	6004ZZ	1			
501	7	V7051400420	C형멈춤링(구멍용)	42	1			
501	8	V2173610025	소형육각볼트보통(S)	M10X25	2			
501	9	V7041400200	C형멈춤링(축용)	20	3			
501	10	11504100010	4륜 구동축		1			
501	11	14211340190	커플링		1			
NOTE								

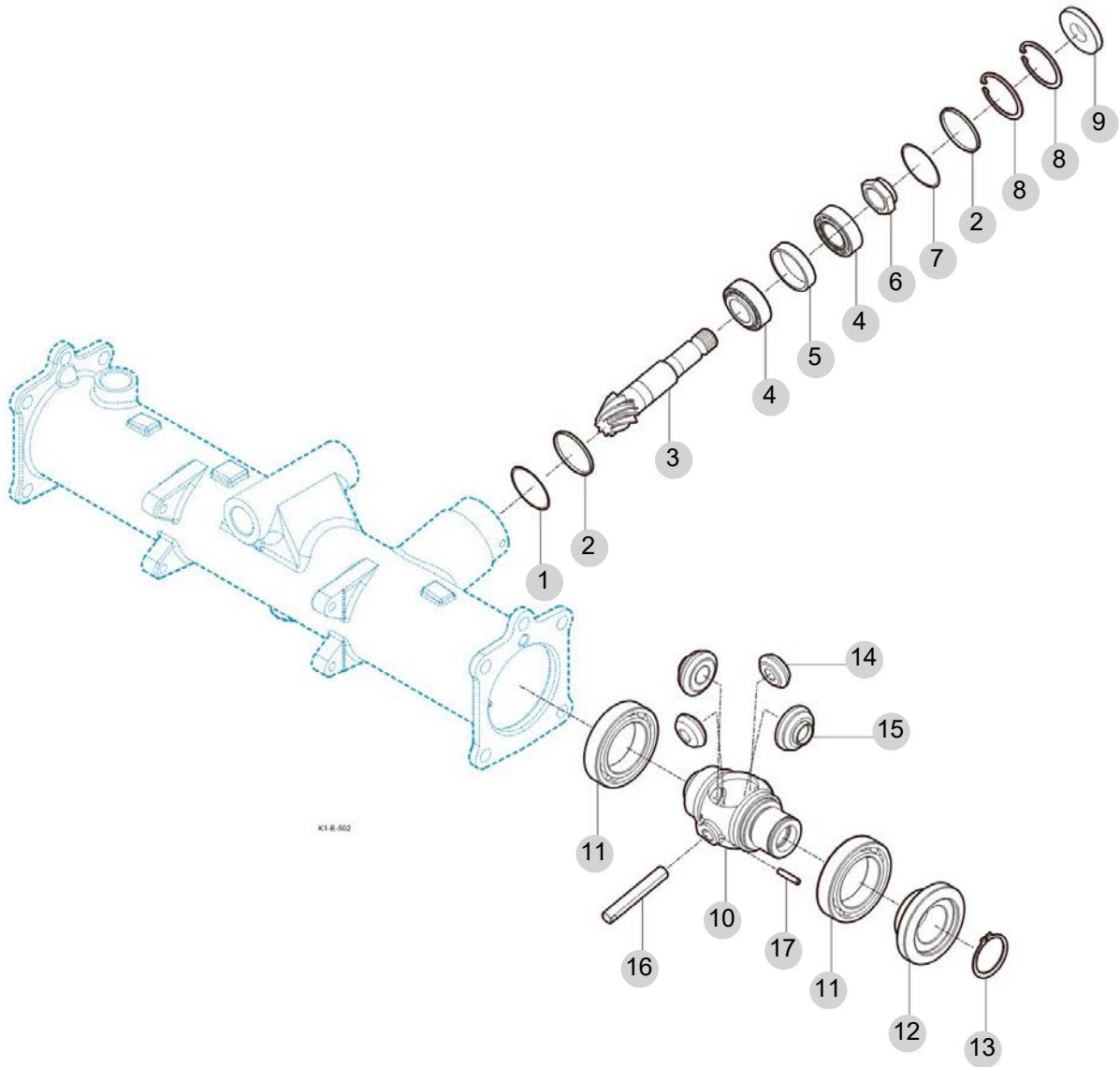
FIG 502

FRONT DIFFERENTIAL GEAR

년/월
Year/Month

T255NCEU

2022-12



NOTE

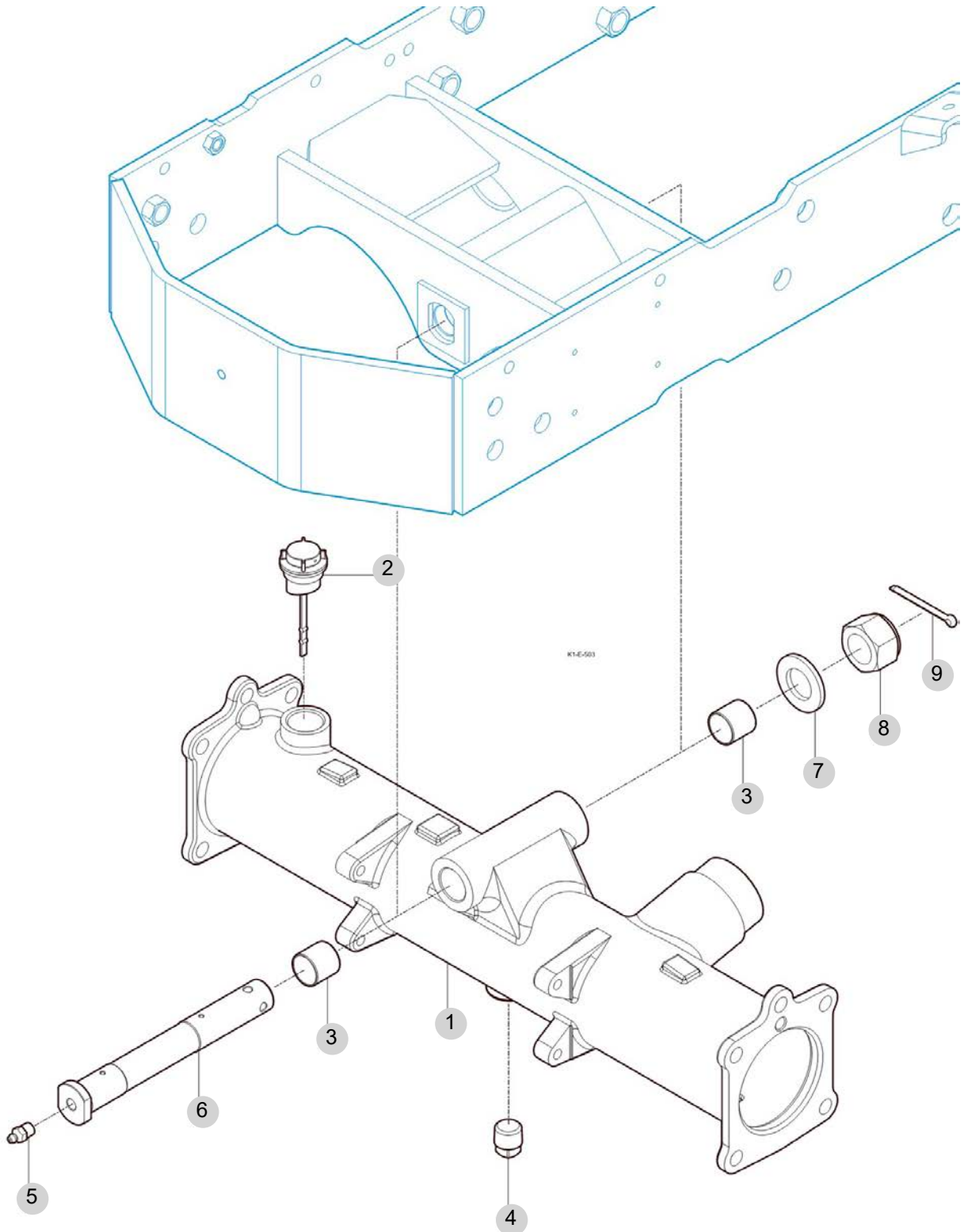
FIG 503

FRONT AXLE HOUSING

년/월
Year/Month

T255NCEU

2022-12



NOTE

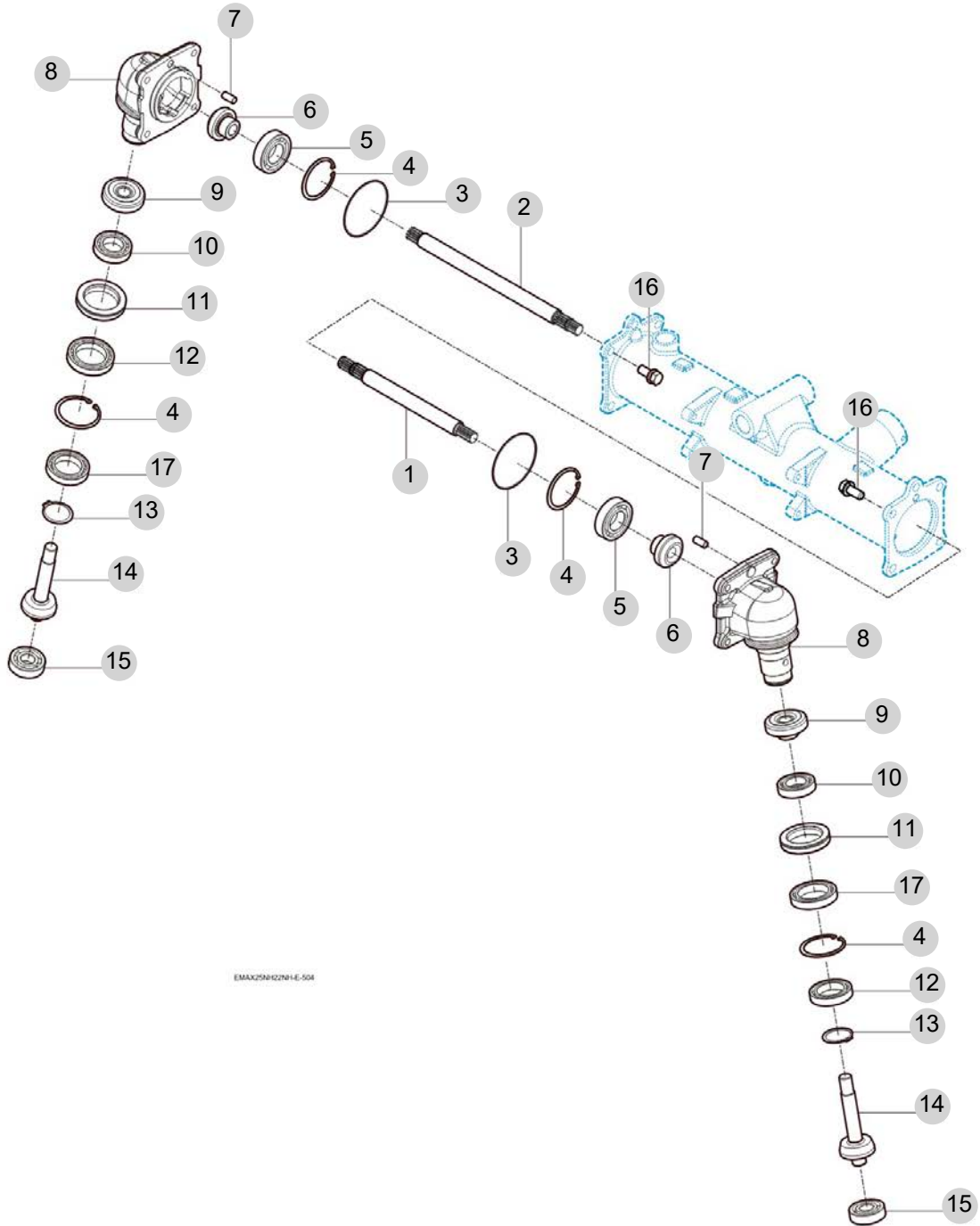
FIG 504

FRONT GEAR CASE (1)

년/월
Year/Month

2022-12

T255NCEU



EMAX255H2201E-504

NOTE

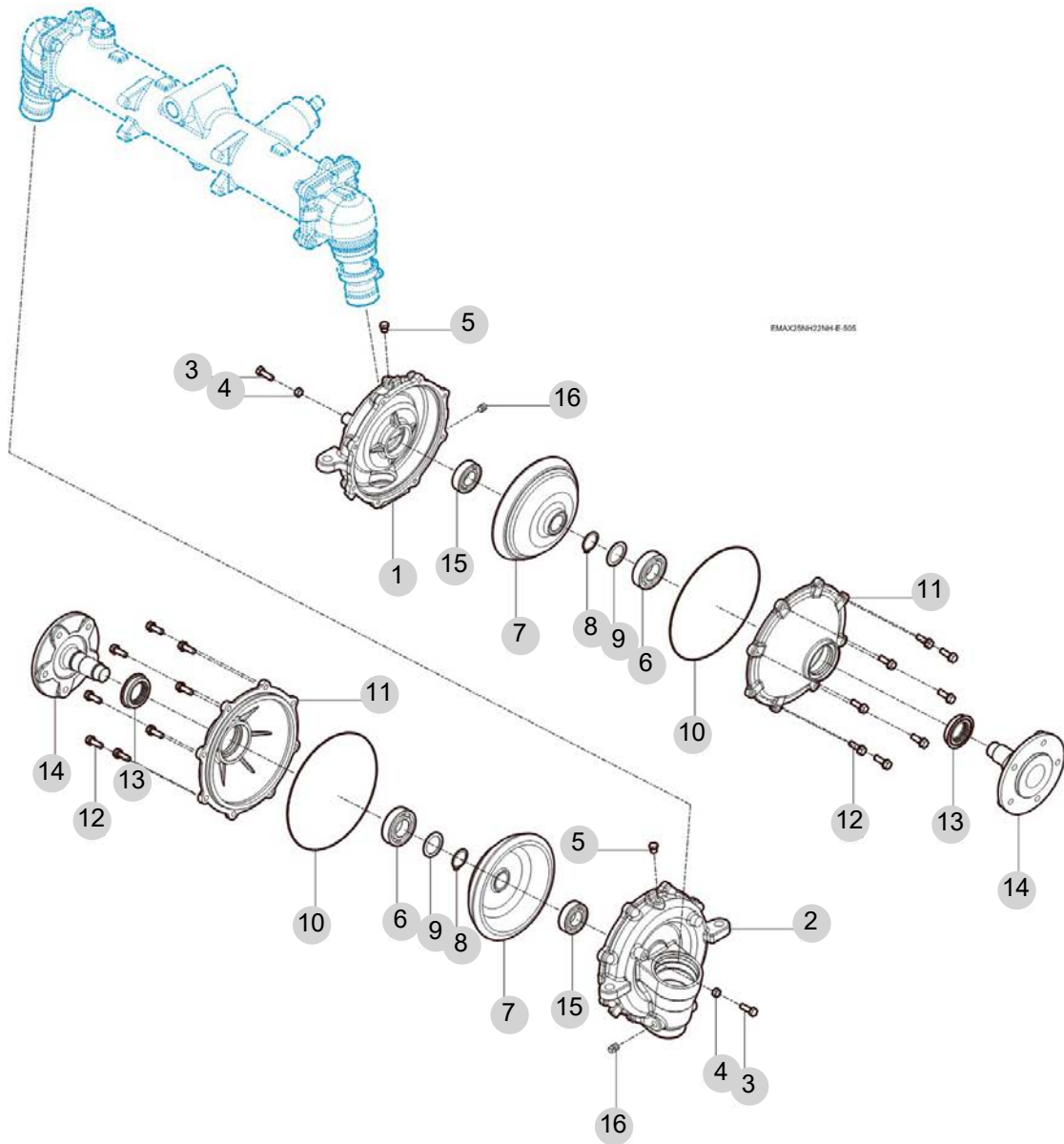
FIG 505

FRONT GEAR CASE (2)

년/월
Year/Month

2022-12

T255NCEU



NOTE

6. 유압/3점링크 PART NO. T6

FIG 601 CYLINDER CASE	130
FIG 602 LIFT ARM	132
FIG 603 FLOW CONTROL VALVE	134
FIG 604 MAIN CONTROL VALVE	136
FIG 605 HYDRAULIC SUB	138
FIG 606 HITCH & 3-POINT LINKAGE	140
FIG 607 HITCH & COVER	142
FIG 608 AUXILIARY VALVE	144

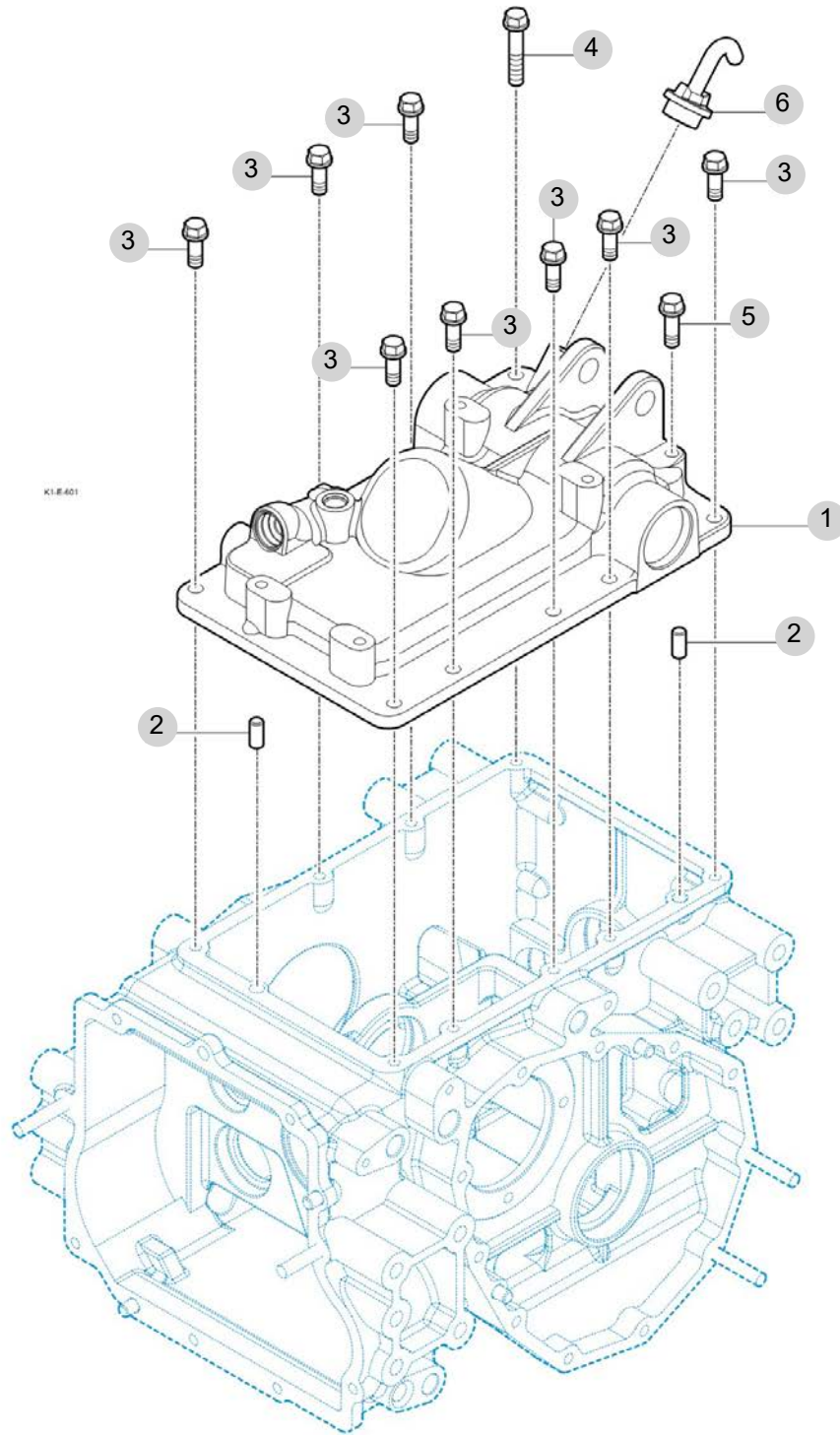
FIG 601

T255NCEU

CYLINDER CASE

년/월
Year/Month

2022-12



NOTE

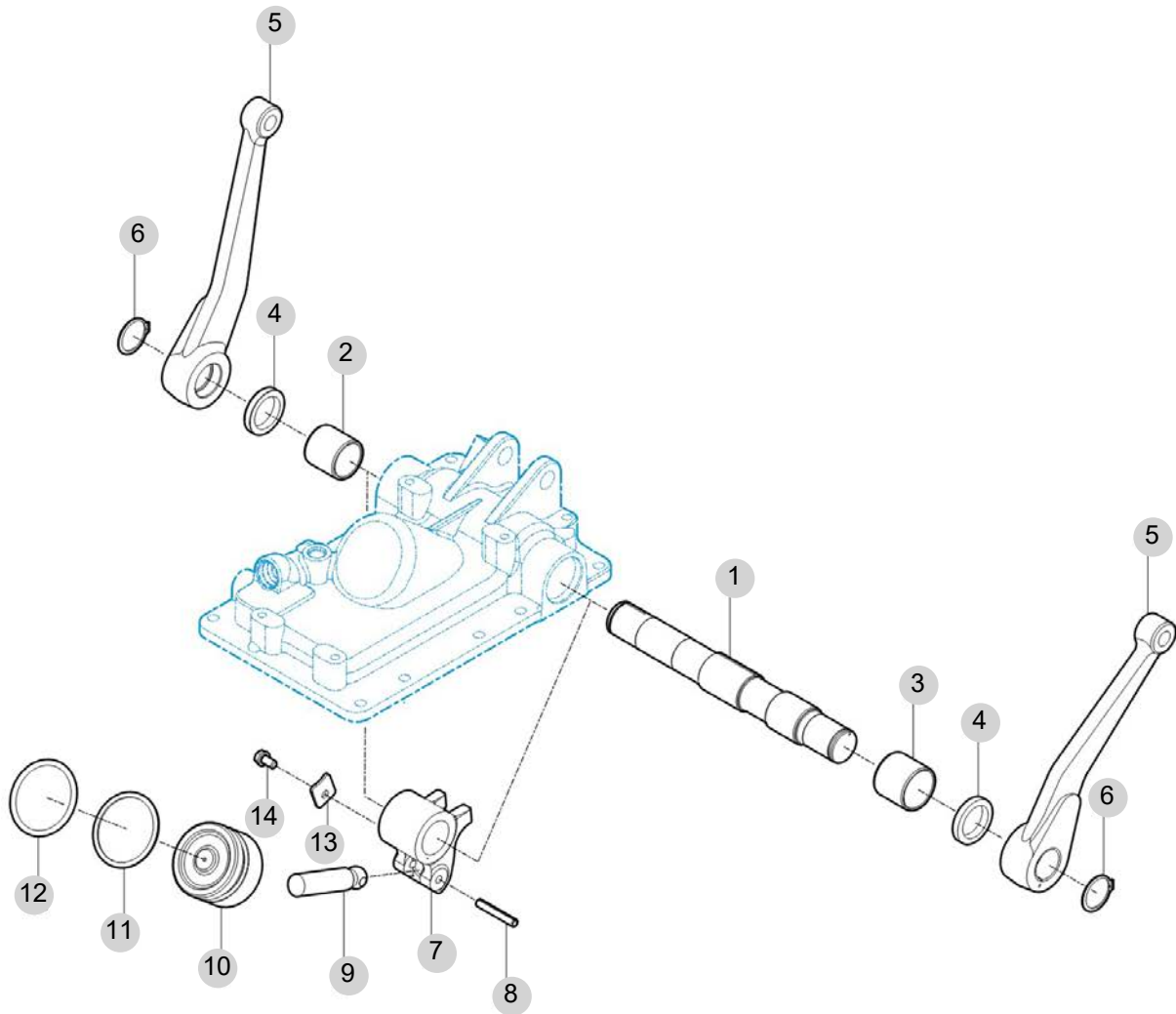
FIG 602

LIFT ARM

년/월
Year/Month

T255NCEU

2022-12



NOTE

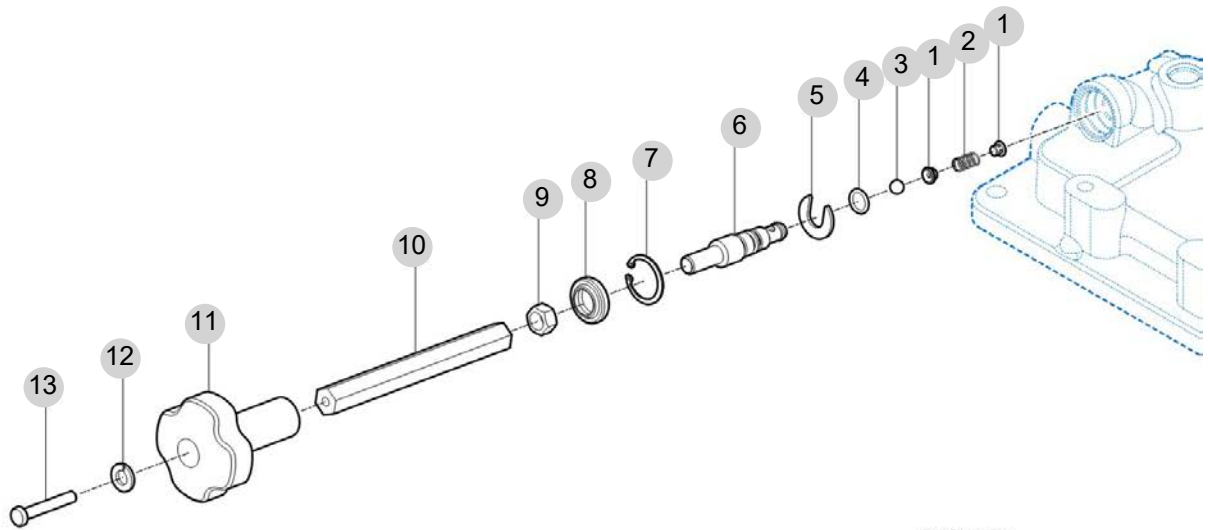
FIG 603

T255NCEU

FLOW CONTROL VALVE

년/월
Year/Month

2022-12



EMAX25NH220H-E-603

NOTE

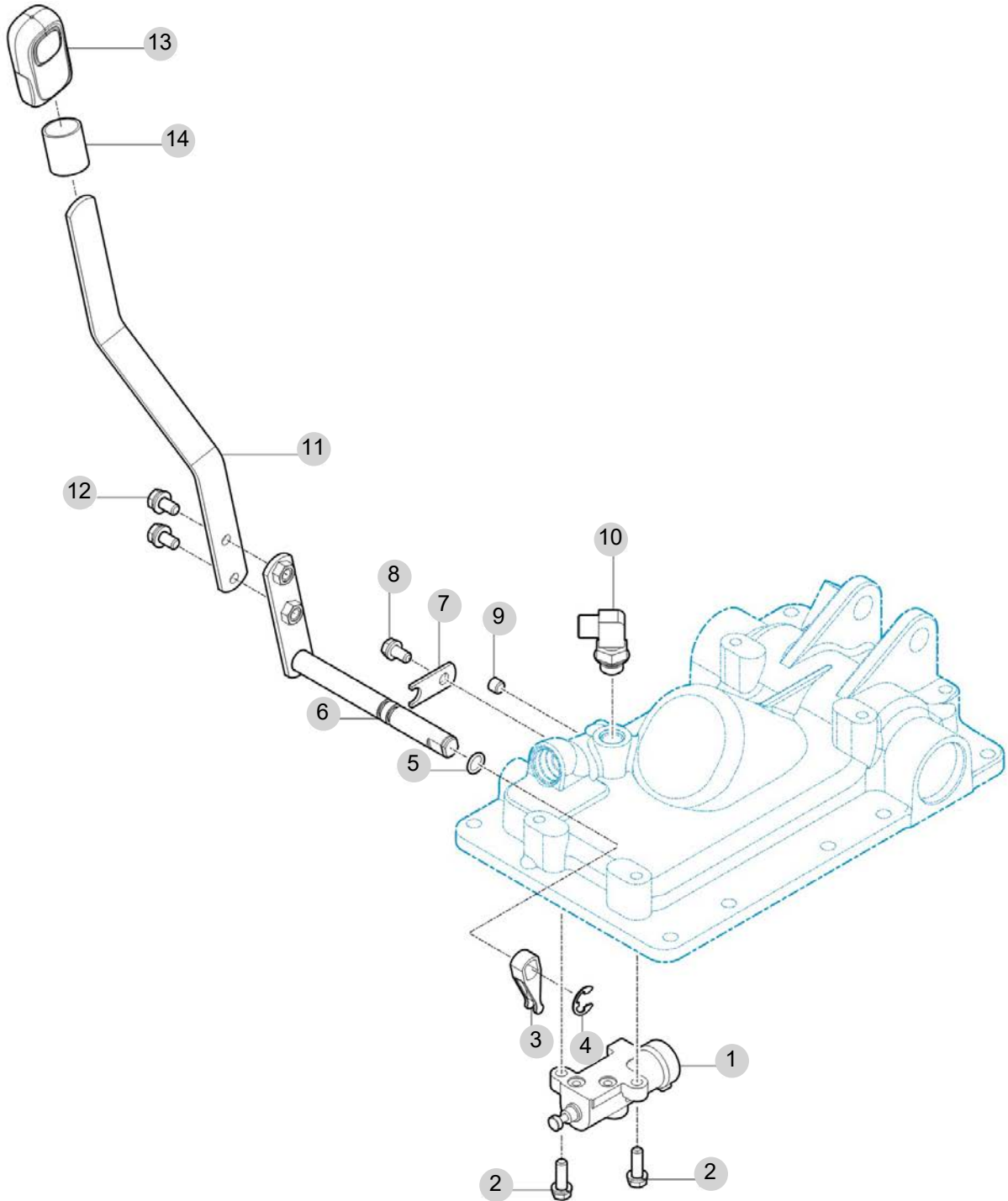
FIG 604

T255NCEU

MAIN CONTROL VALVE

년/월
Year/Month

2022-12



NOTE

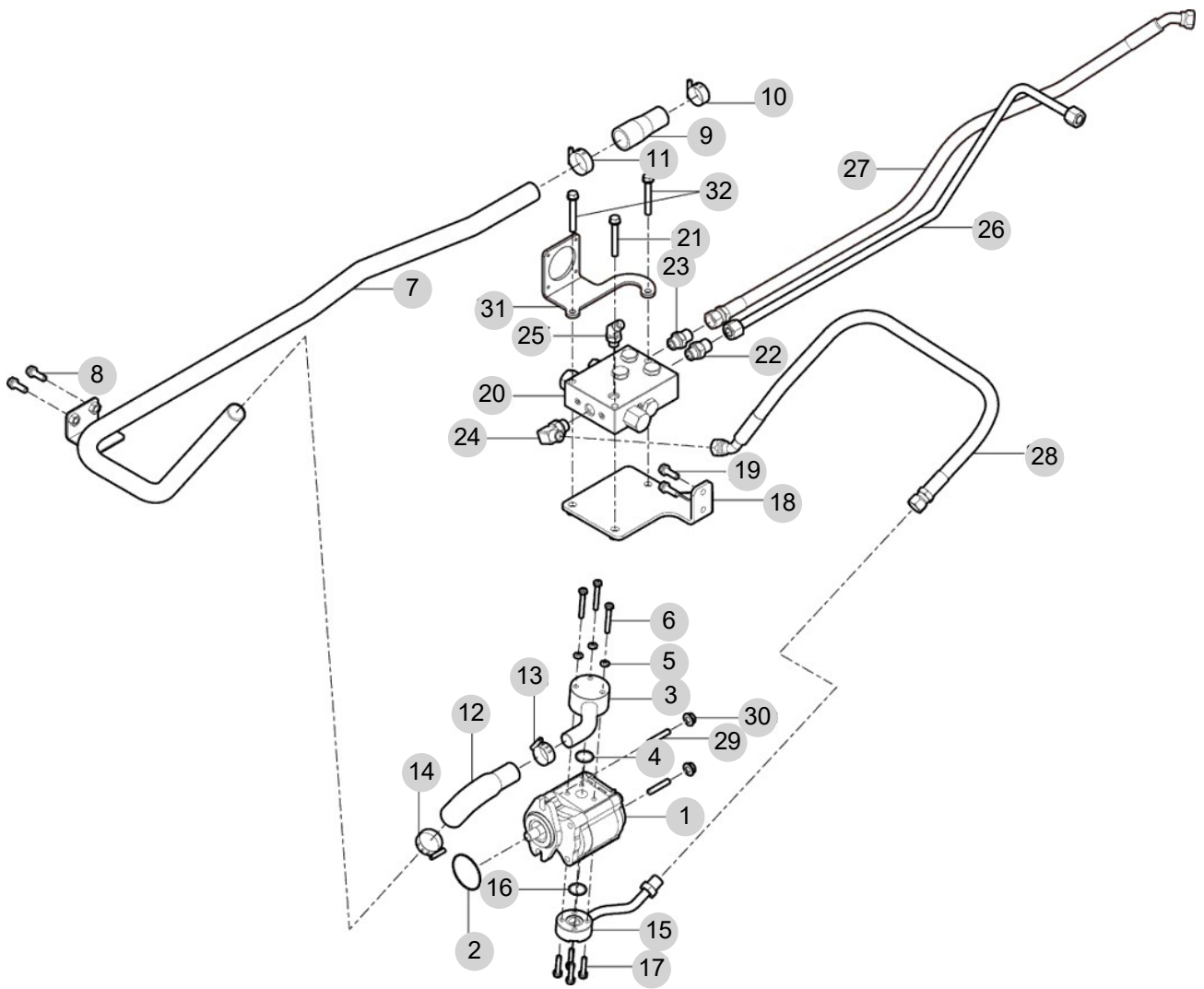
FIG 605

HYDRAULIC SUB

년/월
Year/Month

T255NCEU

2022-12



NOTE

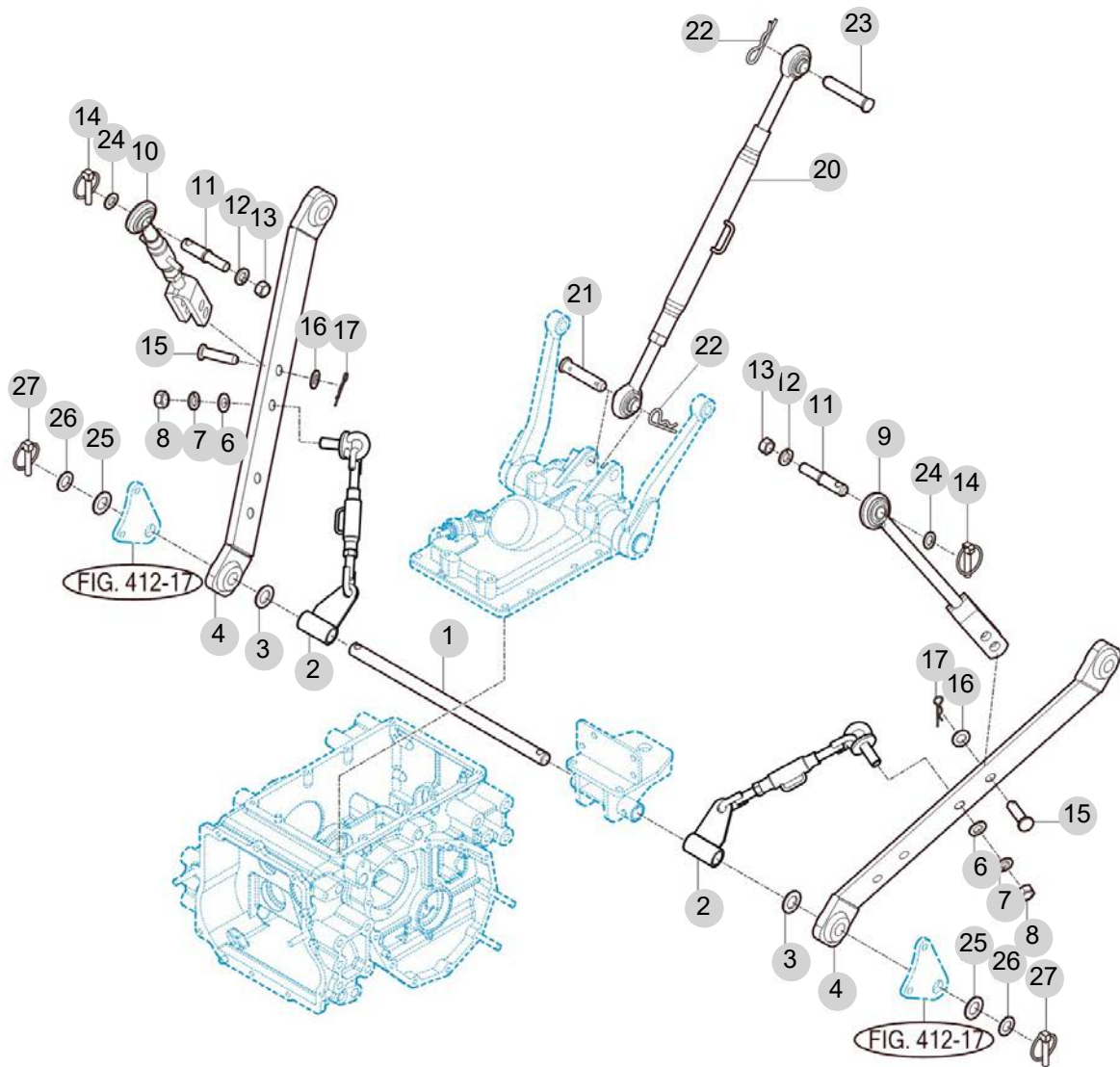
FIG 606

HITCH & 3-POINT LINKAGE

년/월
Year/Month

2022-12

T255NCEU



NOTE

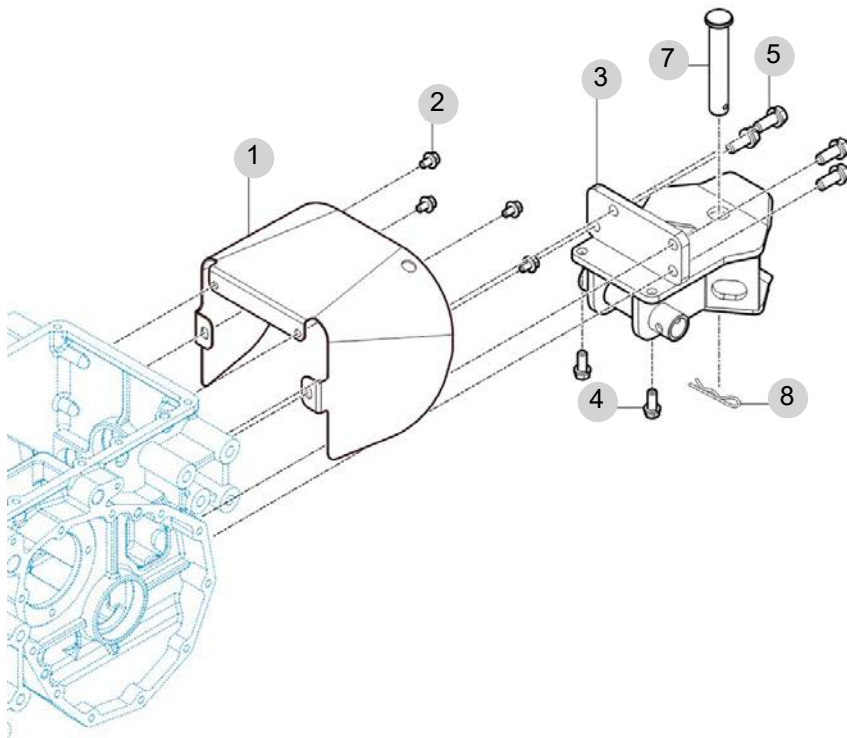
FIG 607

T255NCEU

HITCH & COVER

년/월
Year/Month

2022-12



NOTE

FIG 607 T255NCEU		HITCH & COVER						년/월 Year/Month	
								2022-12	
KEY NO	PART NO	DESCRIPTION	SPEC	QTY	REPAIR	EFFECTIVE DATE	REMARKS		
607	1	11105201010GB	PTO 보호구						
607	2	V2183608016	소형육각볼트보통(SP)	M8X16	4				
607	3	11125212100GB	클레비스 커플링 COMP		1				
607	4	V2173610025	소형육각볼트보통(S)	M10X25	2				
607	5	V2173612030	소형육각볼트보통(S)	M12X30	4				
607	7	11125210020	트레일러 핀(18X95)		1				
607	8	14445140051	헤어핀(19)		1				
NOTE									

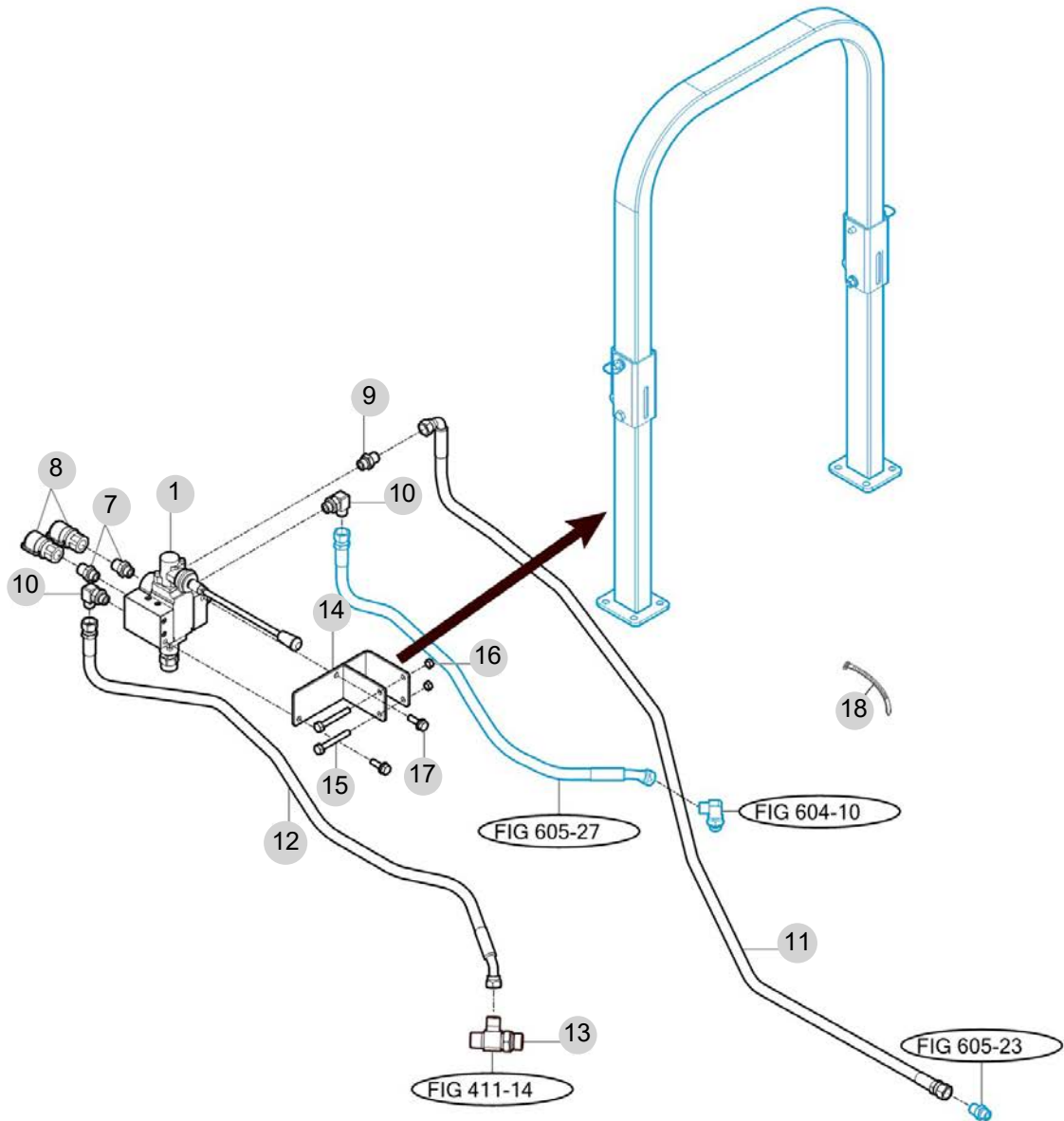
FIG 608

T255NCEU

AUXILIARY VALVE

년/월
Year/Month

2022-12



NOTE

7. 시트메탈/캐빈 PART NO. T7

FIG 701 BONNET (1)	147
FIG 701-2 BONNET (2)	149
FIG 702 FLOOR	151
FIG 703 SEAT	153
FIG 704 ROPS	155
FIG 705 LEVER COVER & FENDER	157
FIG 706 LAMP	159

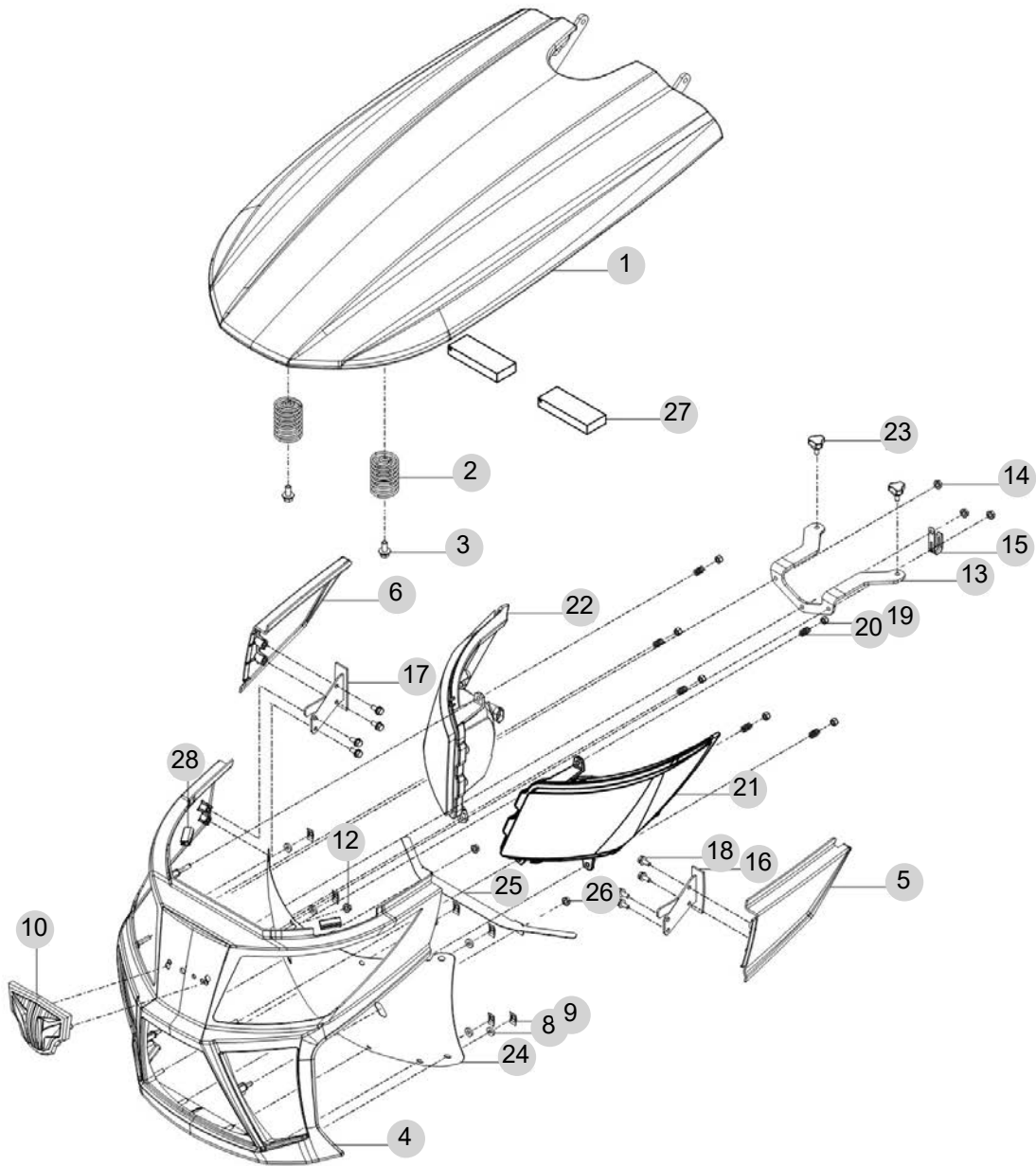
FIG 701

T255NCEU

BONNET (1)

년/월
Year/Month

2022-12



NOTE

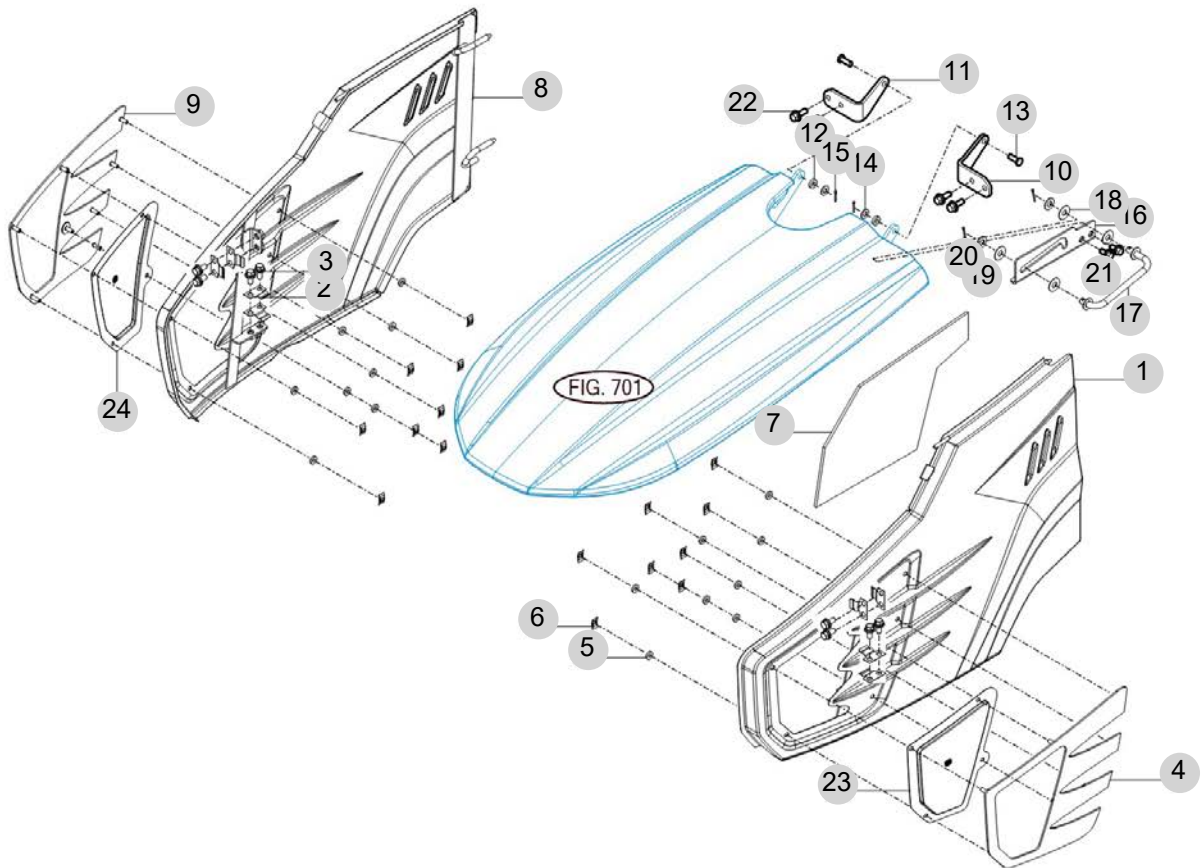
FIG 701-2

T255NCEU

BONNET (2)

년/월
Year/Month

2022-12



NOTE

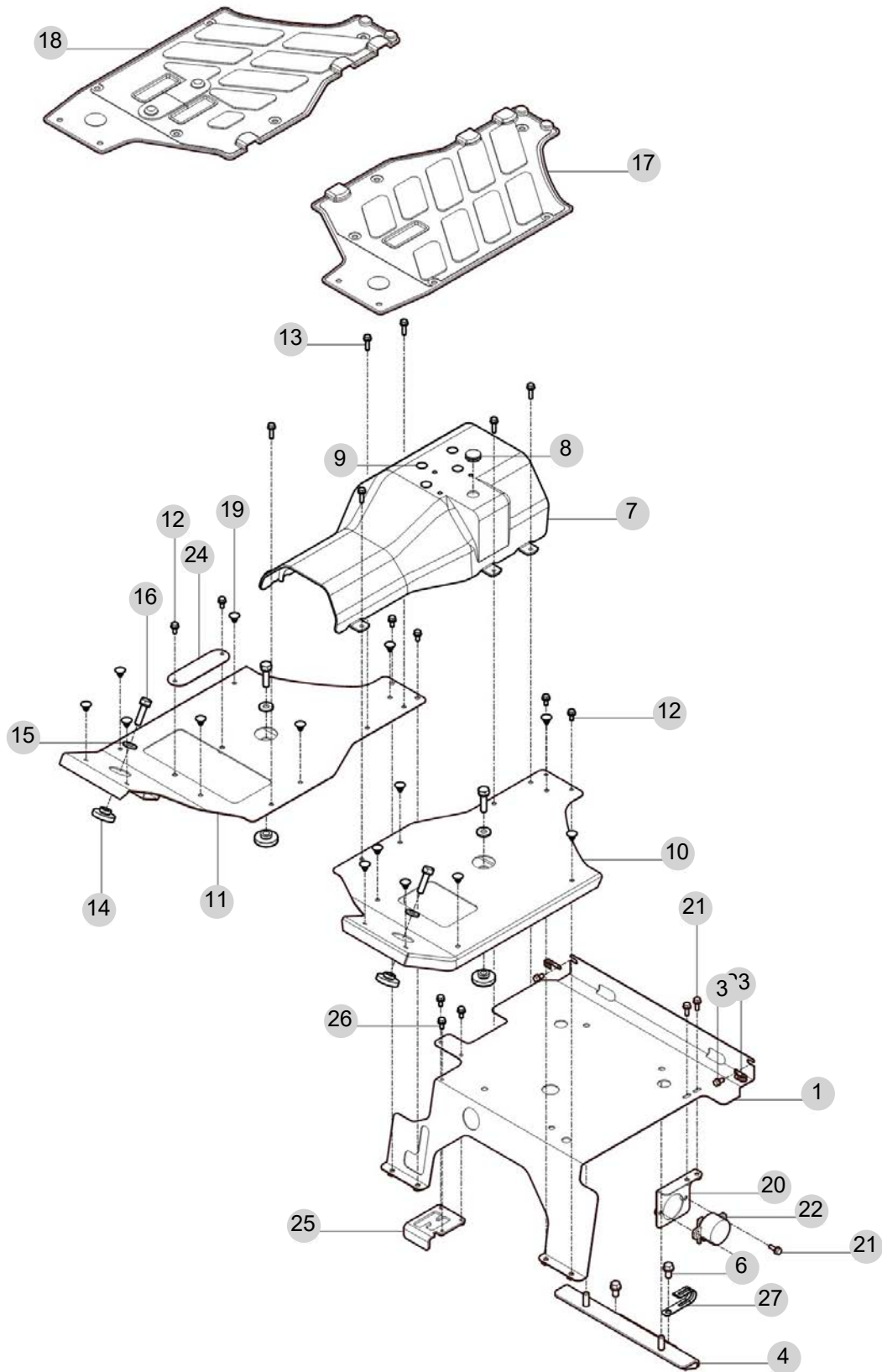
FIG 702

T255NCEU

FLOOR

년/월
Year/Month

2022-12



NOTE

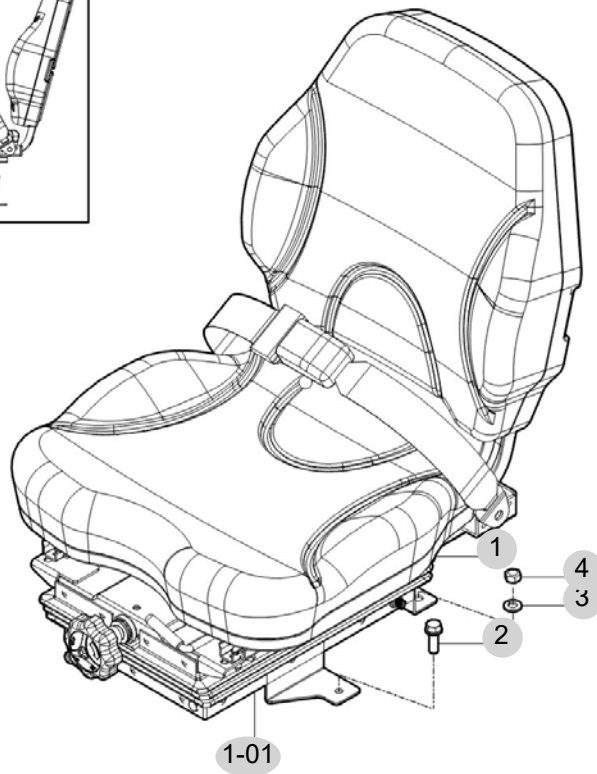
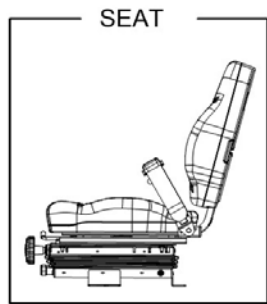
FIG 703

T255NCEU

SEAT

년/월
Year/Month

2022-12



NOTE

FIG 703		SEAT					년/월 Year/Month	
T255NCEU		2022-12						
KEY NO	PART NO	DESCRIPTION	SPEC	QTY	REPAIR	EFFECTIVE DATE	REMARKS	
703	1	11126111000	시트(서스펜션) ASSY		1			
703	1-01	11126111050	스위치 ASSY , 서스펜션 시트		1			
703	2	V2173608025	소형육각볼트보통(S)	M8X25	2			
703	3	V4011600100	스프링와셔	M10	2			
703	4	V3043600100	소형육각너트보통2종	M10	2			
NOTE								

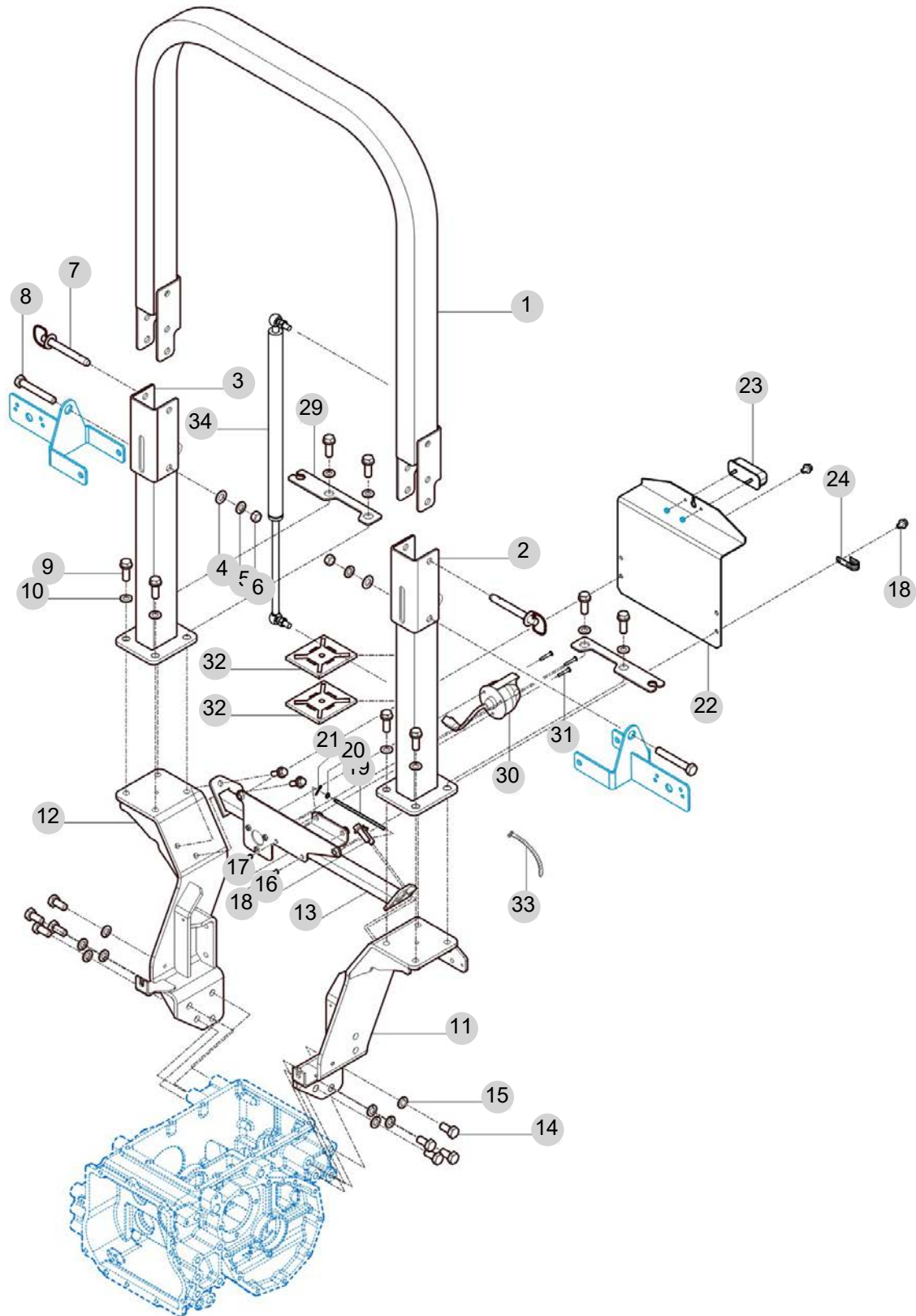
FIG 704

T255NCEU

ROPS

년/월
Year/Month

2022-12



NOTE

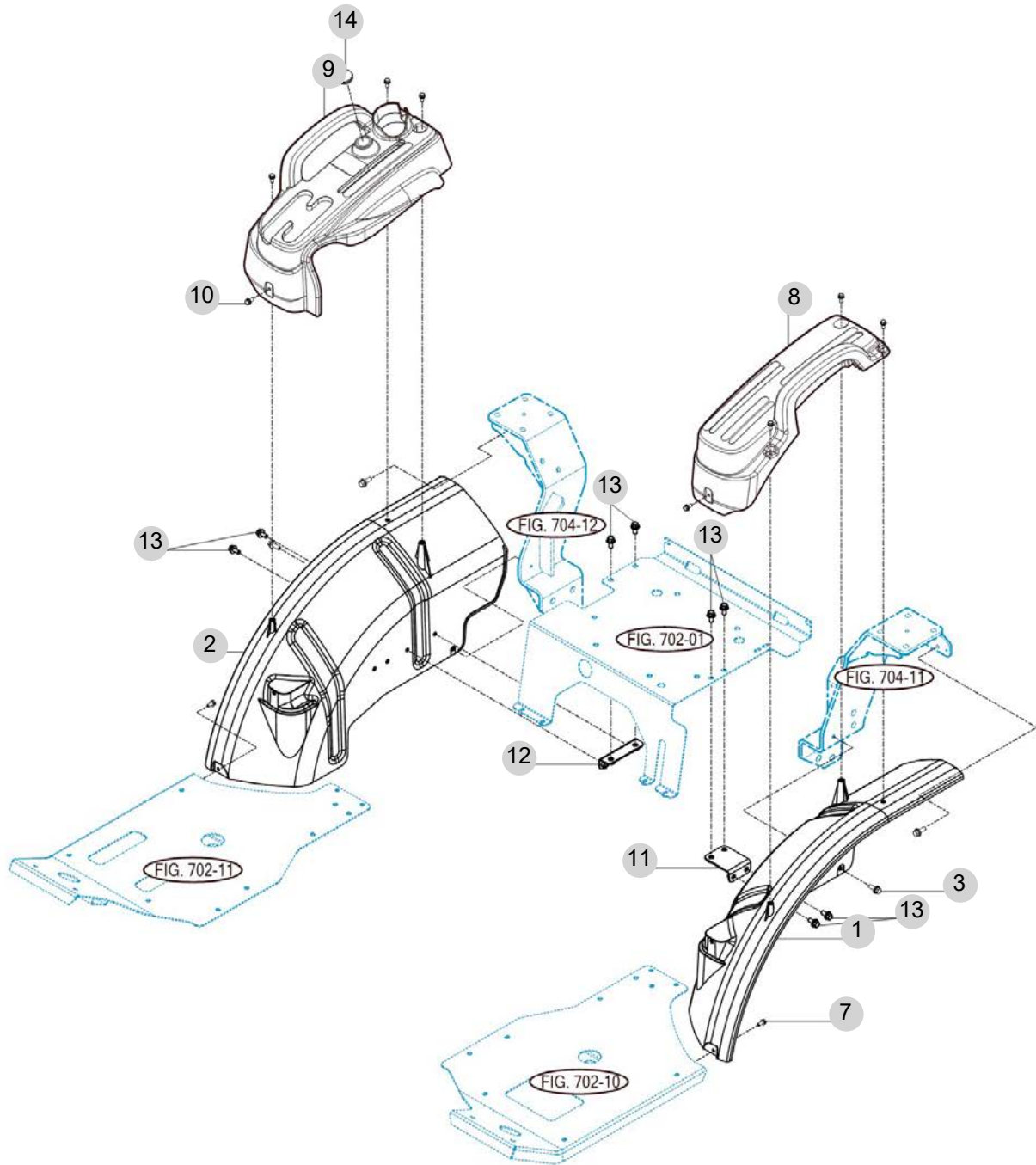
FIG 705

T255NCEU

LEVER COVER & FENDER

년/월
Year/Month

2022-12



NOTE

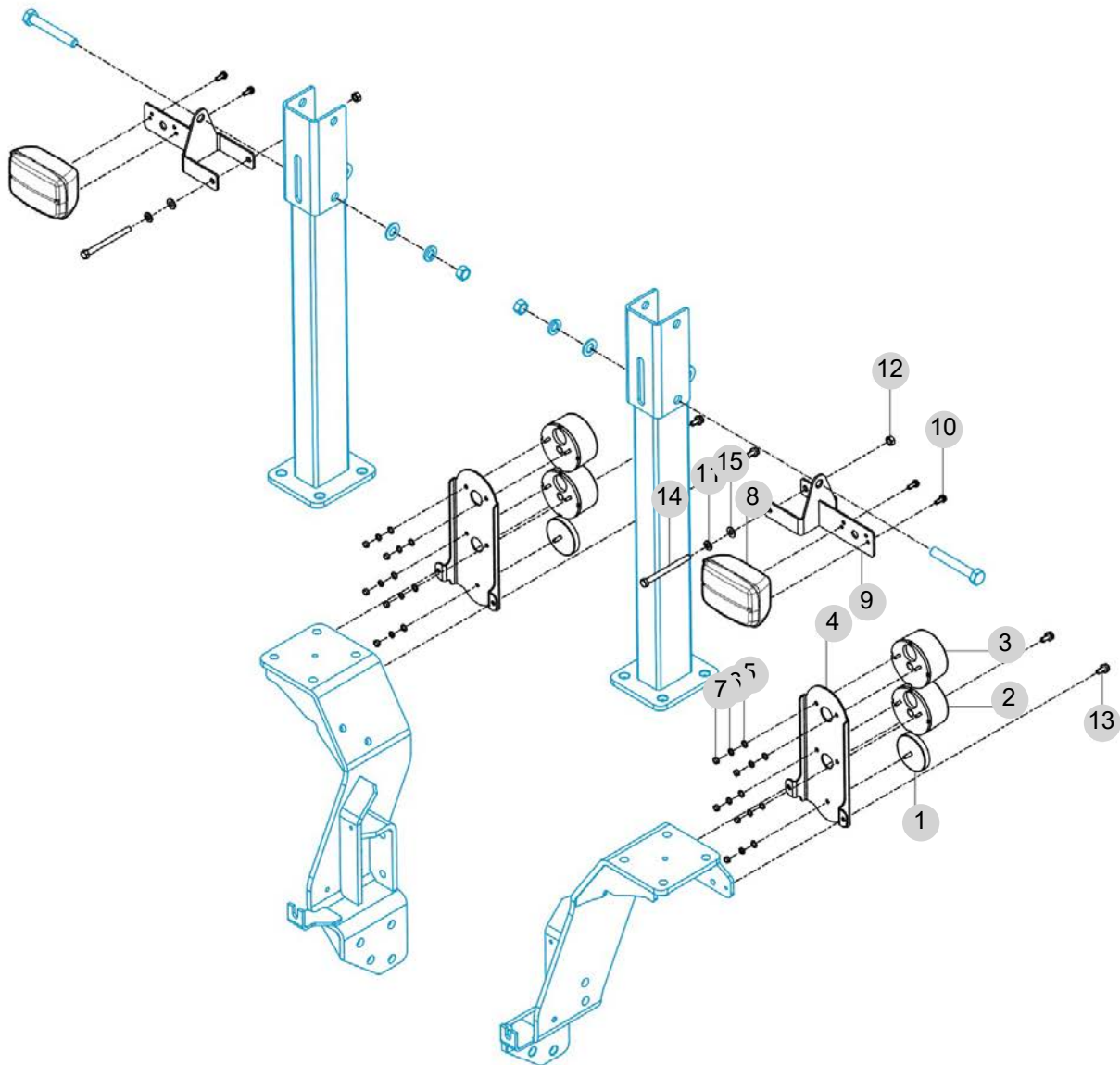
FIG 706

T255NCEU

LAMP

년/월
Year/Month

2022-12



NOTE

8. 전장 PART NO. T8

FIG 801 BATTERY MOUNTING	162
FIG 802 INSTRUMENT PANEL	164
FIG 803 HARNESS (1)	166
FIG 804 HARNESS (2)	168
FIG 805 HARNESS (3)	170

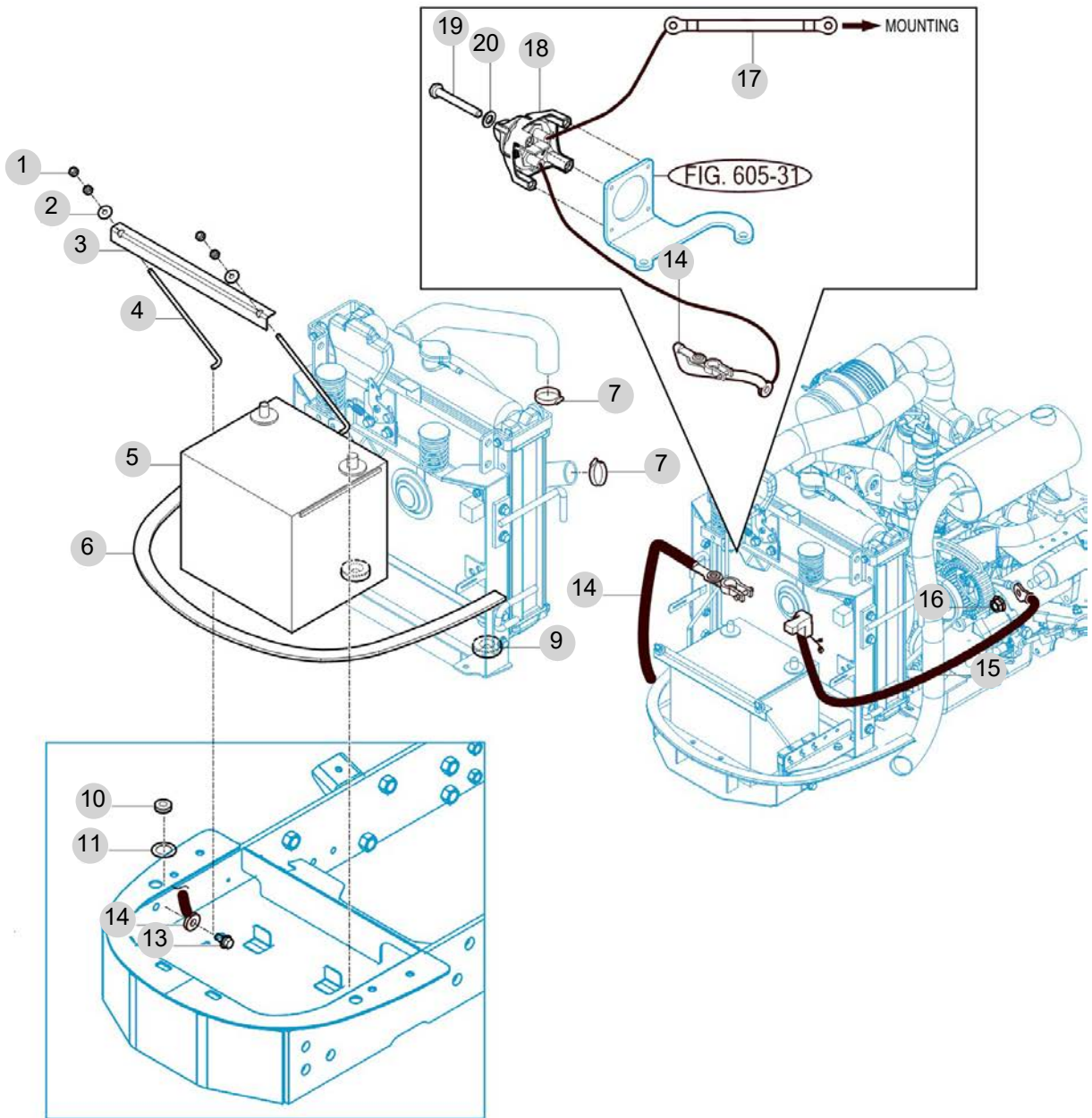
FIG 801

BATTERY MOUNTING

년/월
Year/Month

2022-12

T255NCEU



NOTE

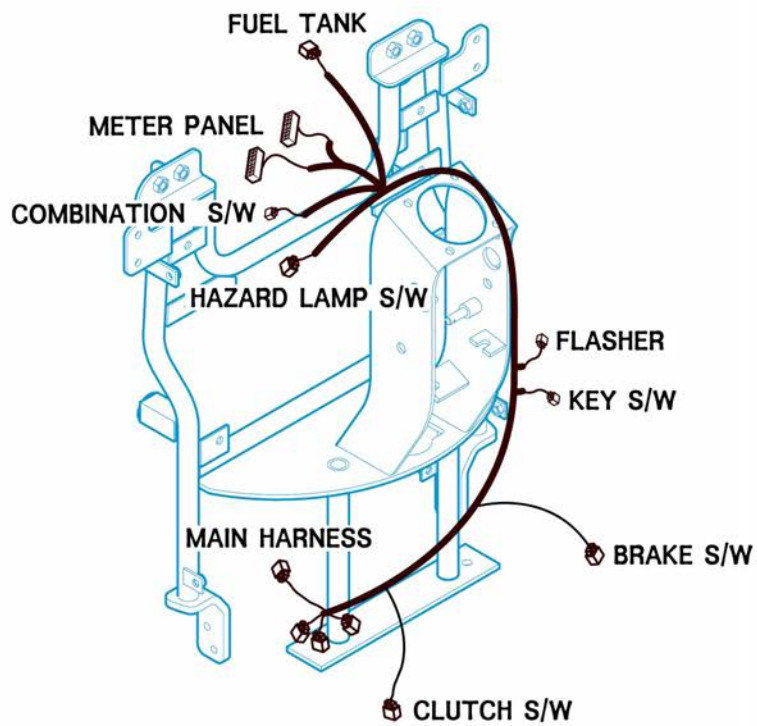
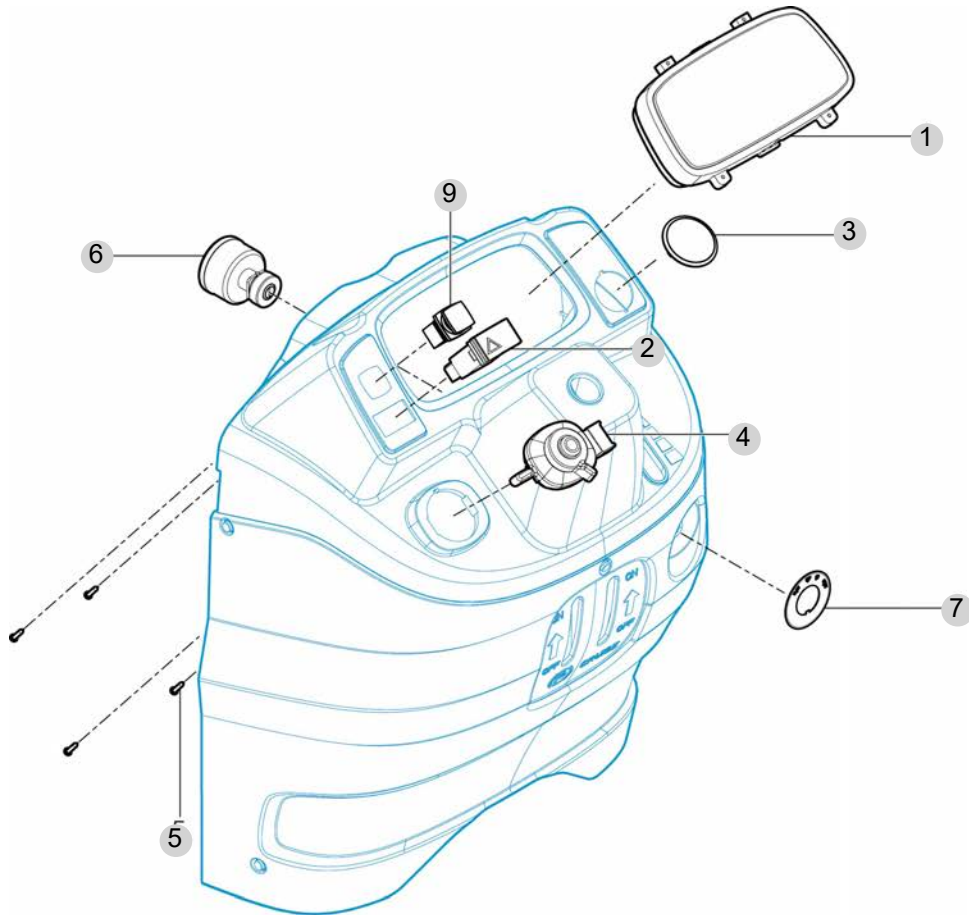
FIG 802

INSTRUMENT PANEL

년/월
Year/Month

2022-12

T255NCEU



NOTE

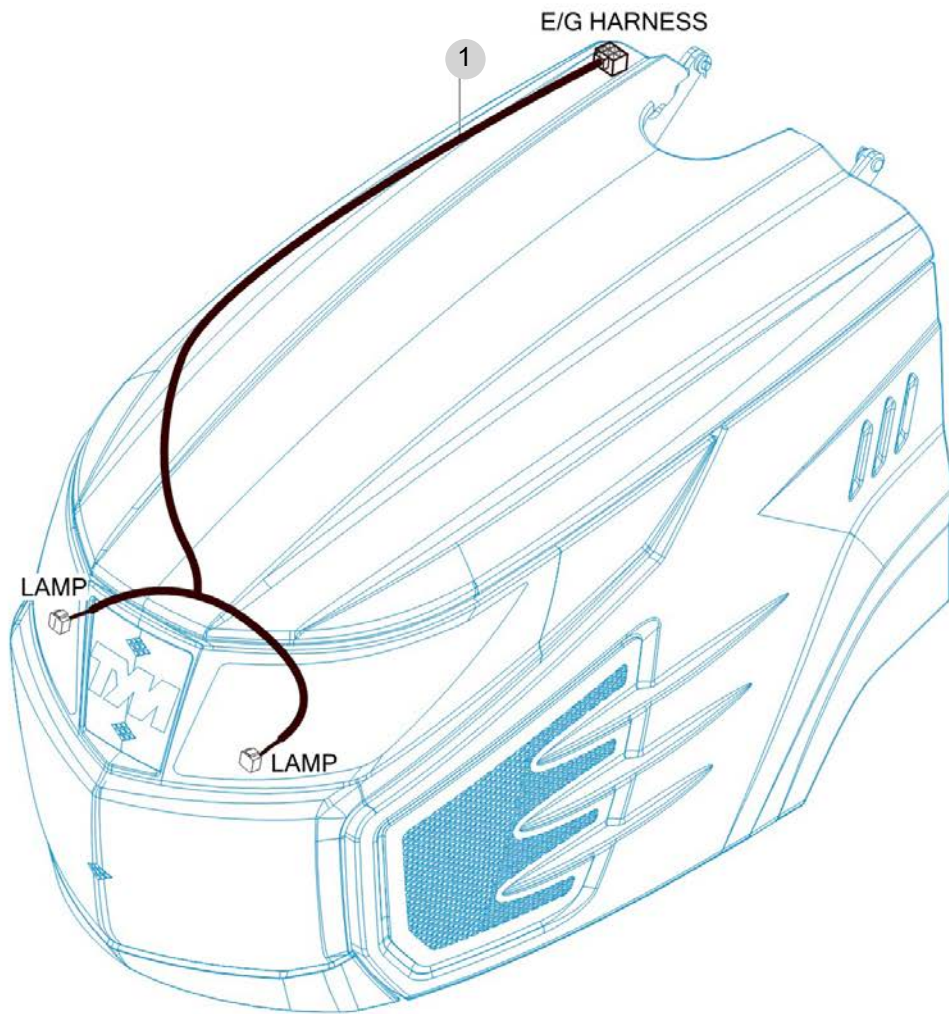
FIG 803

T255NCEU

HARNESS (1)

년/월
Year/Month

2022-12



NOTE

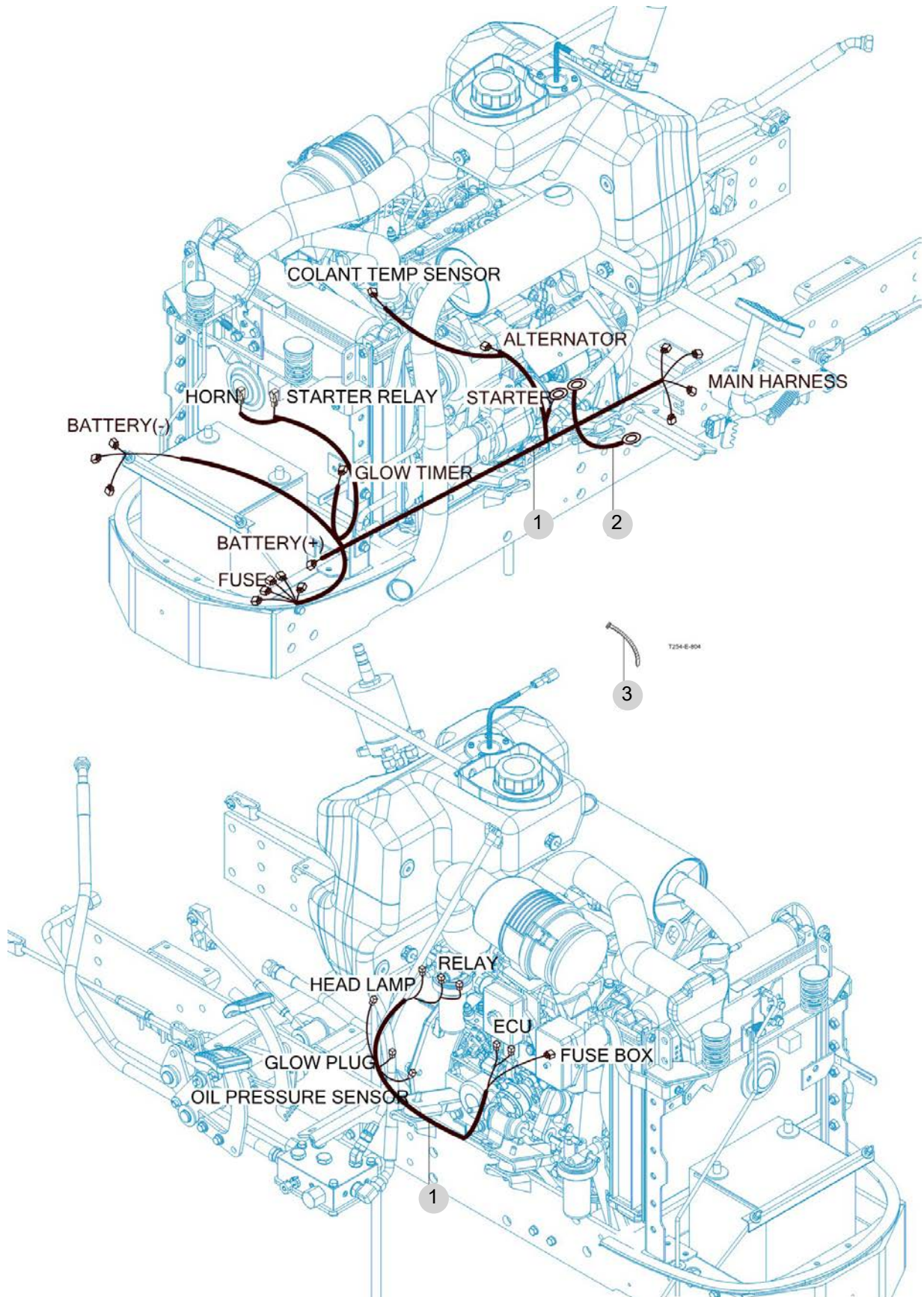
FIG 804

HARNESS (2)

년/월
Year/Month

2022-12

T255NCEU



NOTE

FIG 804 T255NCEU		HARNESS (2)						년/월 Year/Month
								2022-12
KEY NO	PART NO	DESCRIPTION	SPEC	QTY	REPAIR	EFFECTIVE DATE	REMARKS	
804	1	14356682000	하니스(엔진) ASSY			1		
804	2	11106684300	하니스(접지)ASSY			1		
804	3	13424020060	케이블타이(300)			1		
NOTE								

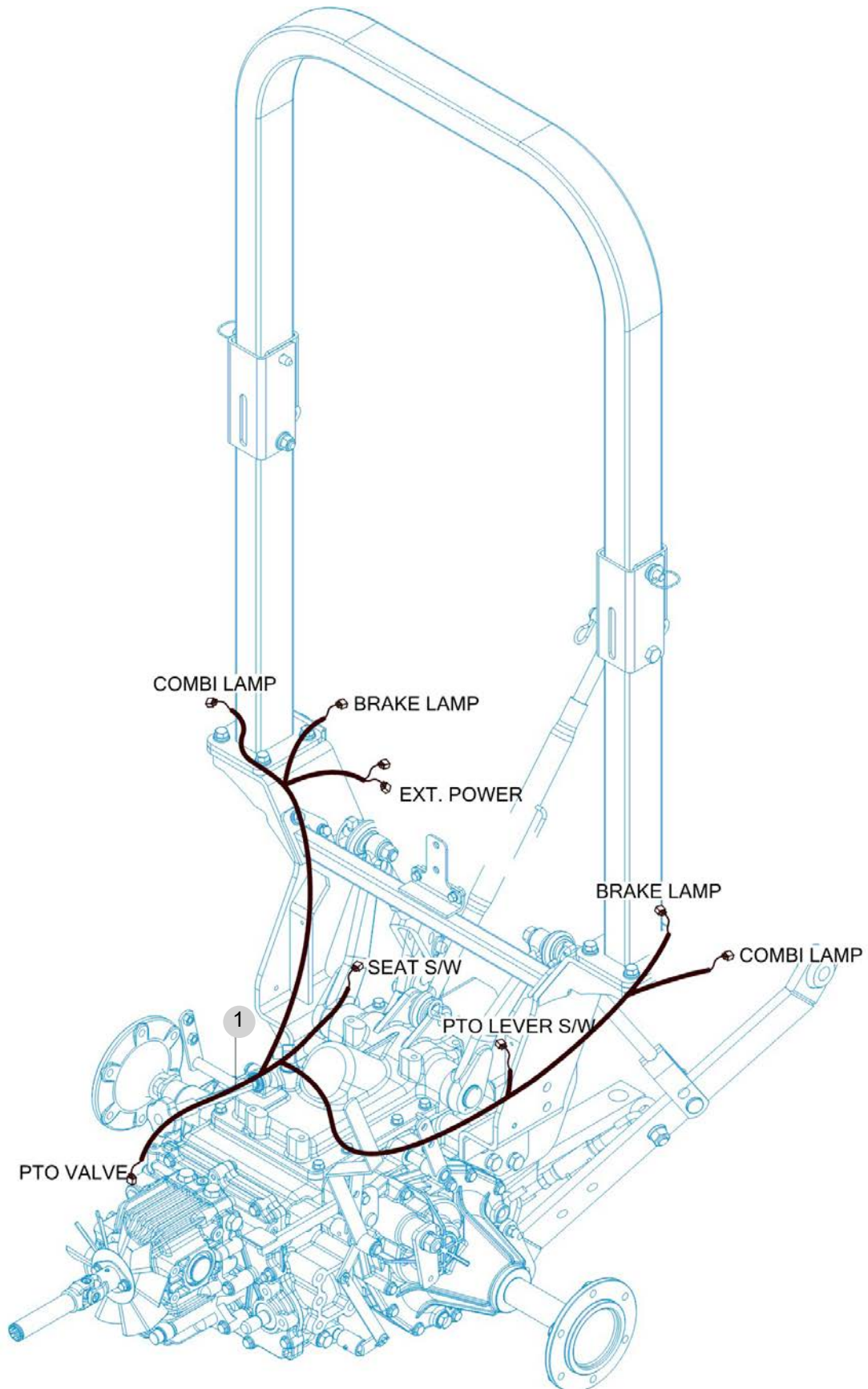
FIG 805

HARNESS (3)

년/월
Year/Month

T255NCEU

2022-12



NOTE

9. 라벨/옵션 PART NO. T9

FIG 901 TOOL & ACCESSORY	173
FIG 902 WEIGHT	175
FIG 903 LABEL (1)	177
FIG 904 LABEL (2)	179

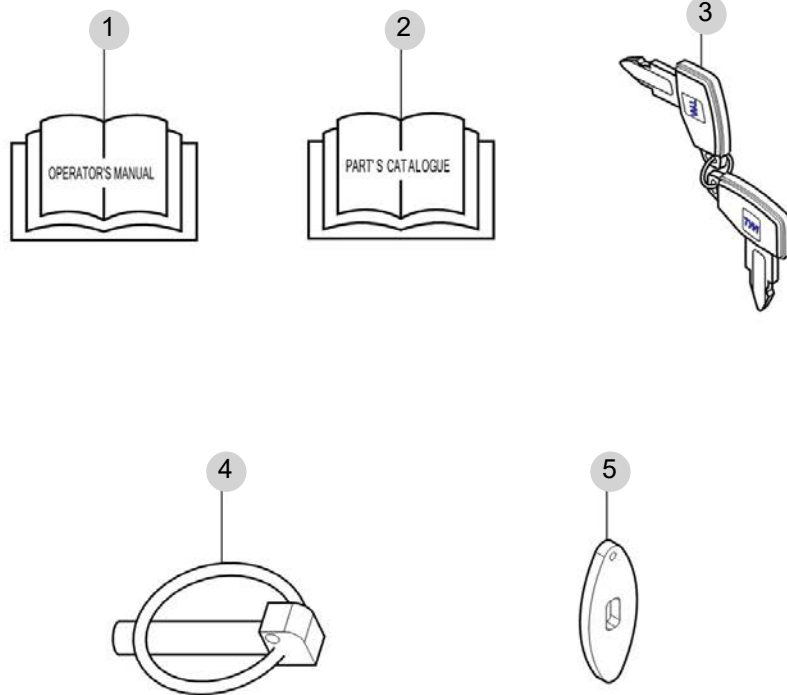
FIG 901

T255NCEU

TOOL & ACCESSORY

년/월
Year/Month

2022-12



NOTE

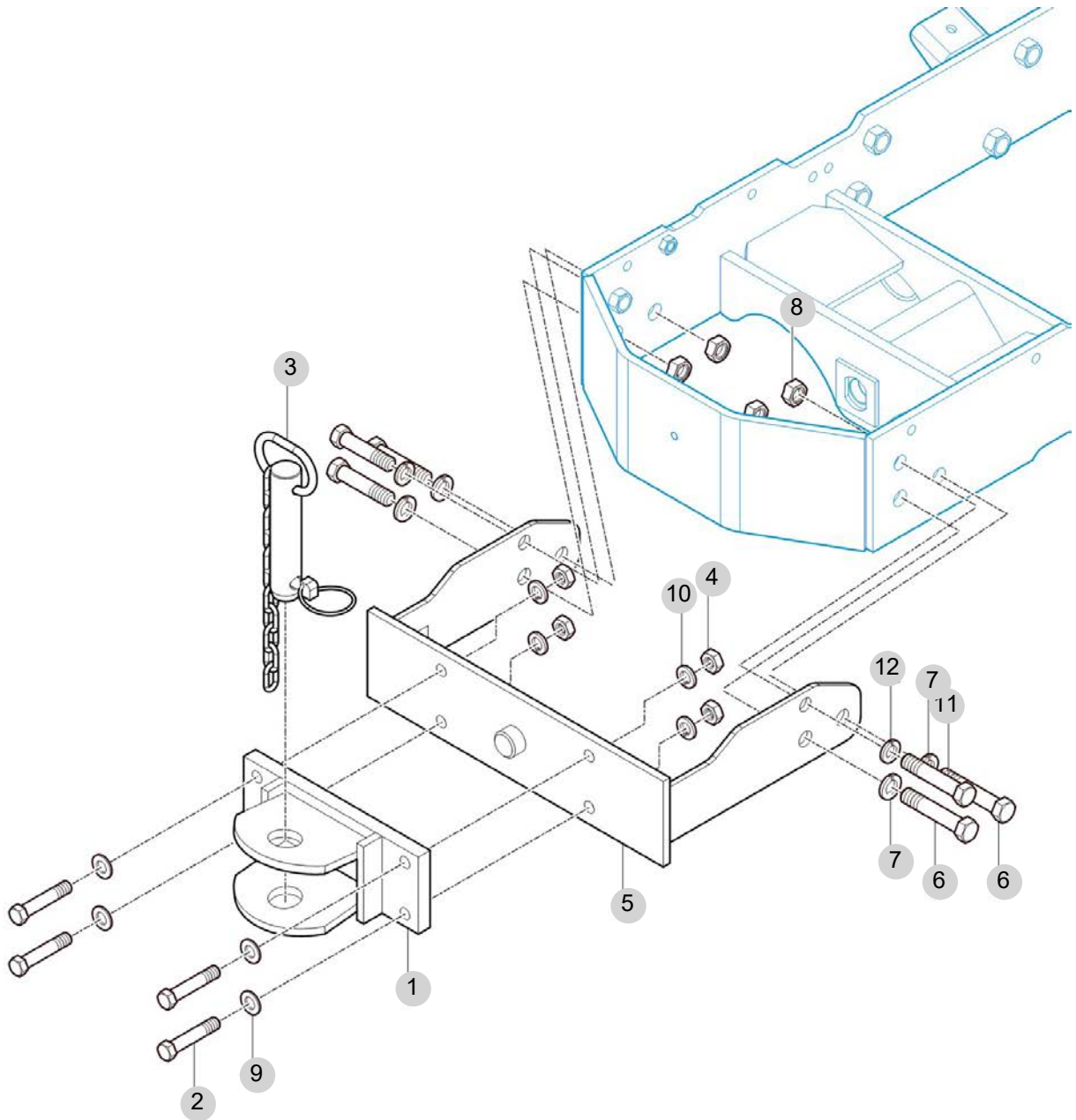
FIG 902

T255NCEU

WEIGHT

년/월
Year/Month

2022-12



NOTE

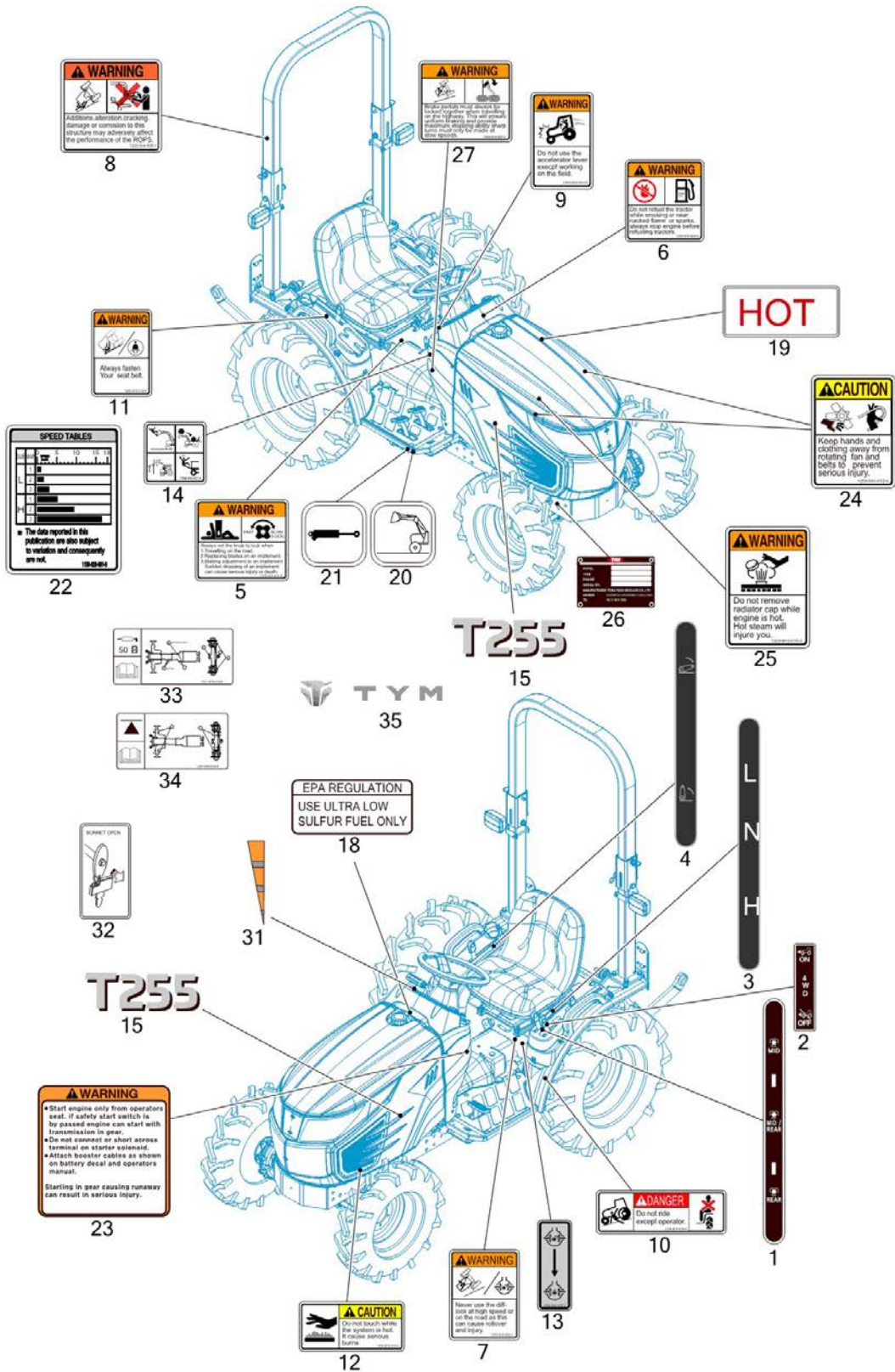
FIG 903

T255NCEU

LABEL (1)

년/월
Year/Month

2022-12



NOTE

FIG 903 T255NCEU		LABEL (1)						년/월 Year/Month
								2022-12
KEY NO	PART NO	DESCRIPTION	SPEC	QTY	REPAIR	EFFECTIVE DATE	REMARKS	
903	1	11109100012	라벨, PTO 변속			1		
903	2	11129100020	라벨, 4WD			1		
903	3	11109100032	라벨, 무변속			1		
903	4	11109100041	라벨, 포지션			1		
903	5	12009100040	라벨, 경고/스톱밸브			1		
903	6	12009100050	라벨, 경고/화기엄금			1		
903	7	12009100060	라벨, 경고/차동고정			1		
903	8	12209045051	라벨, 경고/개조			1		
903	9	12009100210	라벨, 경고/스로틀			1		
903	10	12009100160	라벨, 위험/동승금지			1		
903	11	12009100190	라벨, 경고/안전벨트			1		
903	12	12009100240	라벨, 주의/소음기			1		
903	13	17689200050	라벨, 취급/차동고정			1		
903	14	17689100170	라벨, 주의/안전			1		
903	15	14329010040	마크, 오나먼트(T255)			2		
903	15	14329010041	마크, T255			2		
903	15	14329010042	마크, /T255			2		
903	18	18711201100	라벨, 초저유황경유			1		
903	19	11209100250	라벨, 주의/HOT			1		
903	20	11209100260	라벨, 로더			1		
903	21	11209100270	라벨, 실린더			1		
903	22	11509200010	라벨, 취급/차속표			1		
903	23	12609040620	경고(스타트)			1		
903	24	12009100120	라벨, 주의/팬			1		
903	25	12009100150	라벨, 경고/라디에이터캡			1		
903	26	14329049200	기종명판(내용/T255)			1		
903	26	14329049201	형식명판, EU/내용			1		
903	27	12009100070	라벨, 경고/브레이크			1		
903	31	11129100150	라벨, 액셀레이터			1		
903	32	12127025120	라벨, 본넷 오픈			1		
903	33	12519100130	라벨, 그리스			1		
903	34	12519100140	라벨, 잭포인트			1		
903	35	11619010020	라벨, /TYM 30			2		
NOTE								

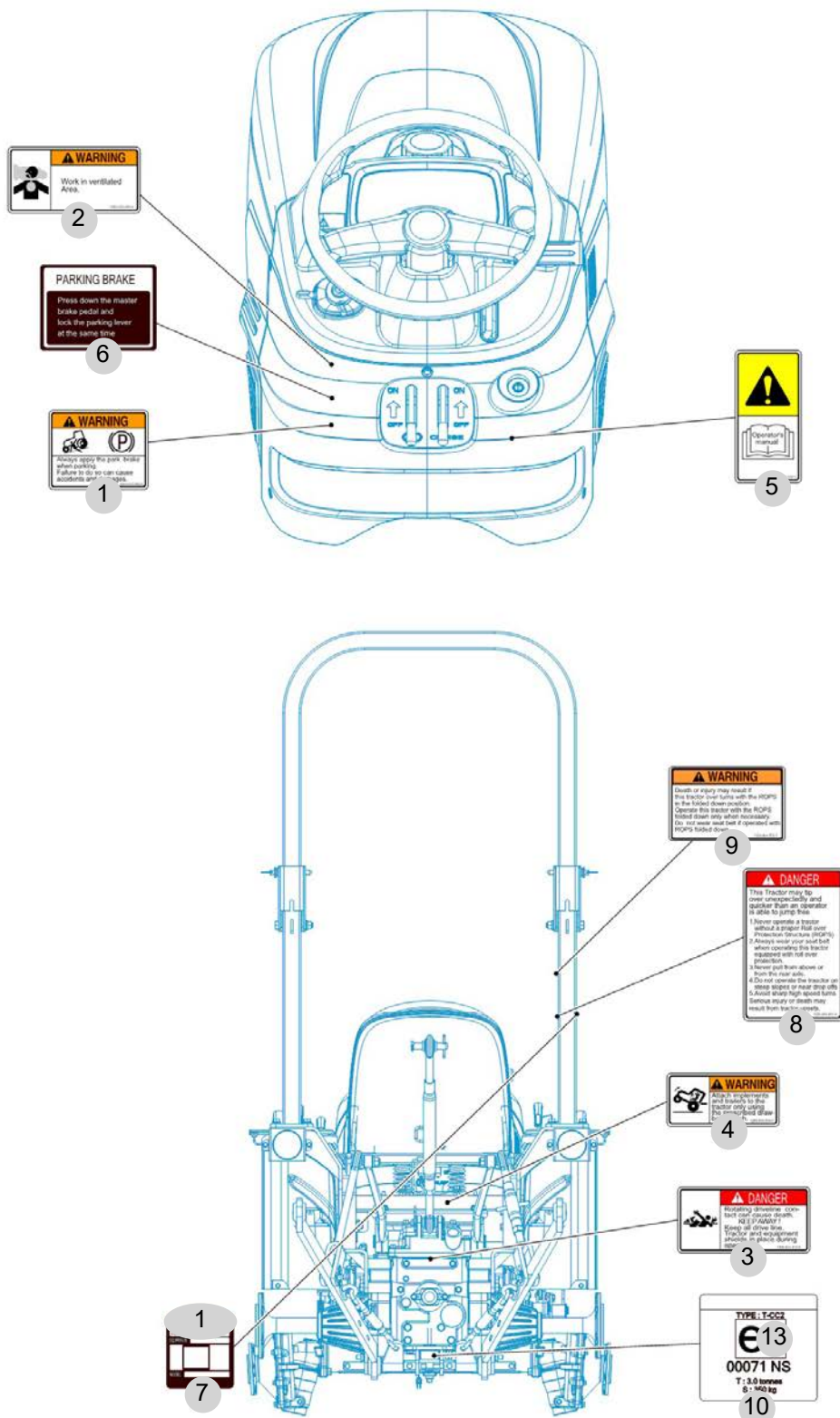
FIG 904

T255NCEU

LABEL (2)

년/월
Year/Month

2022-12



NOTE

